

Serial Number

Please read **BOTH** these Installation Instructions and the General Towing Instructions before attempting to install or operate this equipment.

- Blue Ox® towing products and accessories are intended to be installed by Blue Ox® Dealers who are familiar with our products and have the equipment and knowledge to do “fit work”. When necessary Blue Ox® Dealers can be found at [www.blueox.com](http://www.blueox.com) or by contacting our Customer Care Department at (402) 385-3051.
- Many Blue Ox® Baseplates are designed to use existing holes and hardware to mount the baseplate to the towed vehicle. Even though bolts are there, do not assume they are adequate for baseplate mounting. Always use hardware supplied in the hardware kit or existing hardware specified in the Baseplate Towing Installation Instructions.

**Attachment Tab Height:** 17 3/4”

**Attachment Tab Width:** 24”

**Bolt Torque Specifications**  
Torque in Foot-Pounds for Metric Bolts

Bolt Size	Grade 8.8	Grade 10.9
6MM	6	8
8MM	16	22
10MM	31	40
12MM	54	70
14MM	89	117

Confirm the towability and pre-towing procedures for your vehicle with the owner’s manual or contact the vehicle’s manufacturer for specific towing procedures.

**Bolt Torque Specifications**  
Torque in Foot-Pounds for Inch Bolts

Bolt Size	Grade 5	Grade 8
1/4”	10	14
5/16”	19	29
3/8”	33	47
7/16”	54	78
1/2”	78	119
5/8”	154	230



**! WARNING**

Failure to read and follow these instructions could result in separation of the towed vehicle from the tow bar, causing property damage, loss of towed vehicle, personal injury or death.

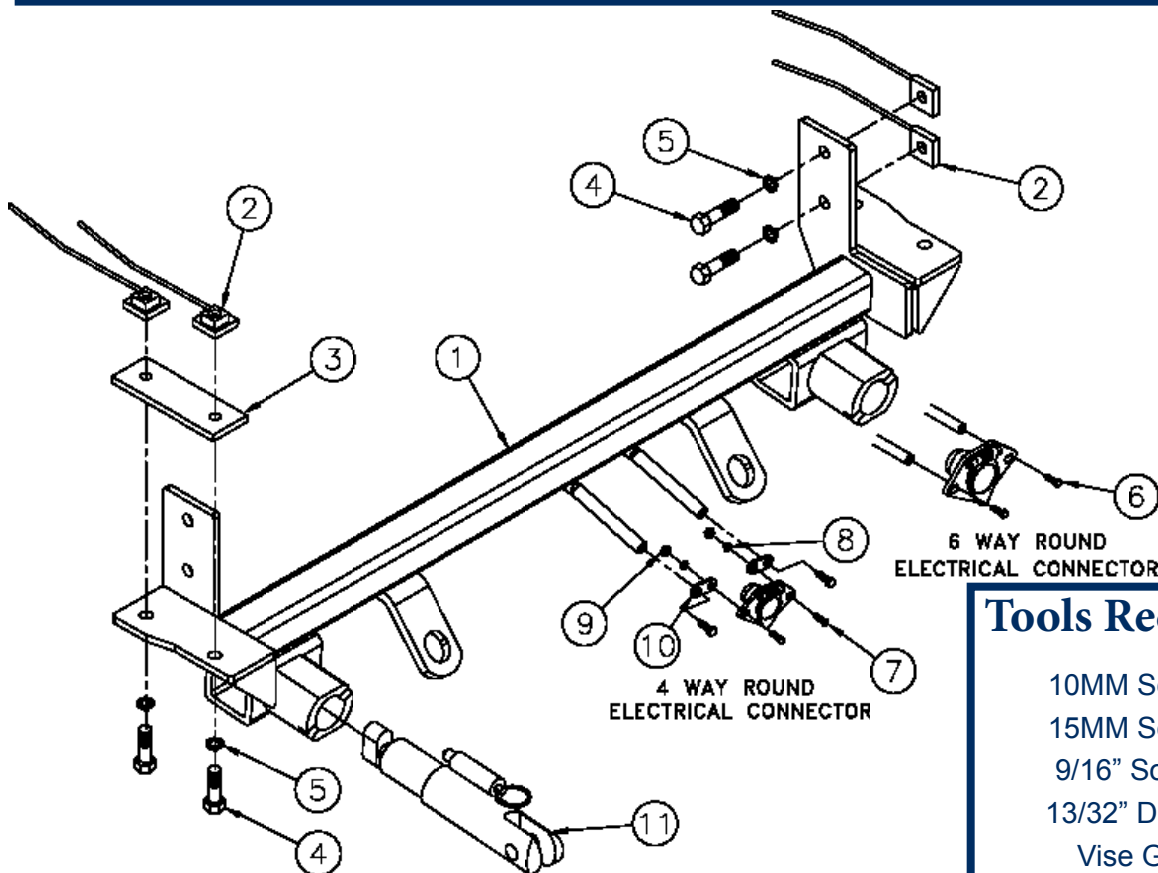
# BX1125

## 2006-10 Jeep Commander

### Installation Instructions

### Parts List

Ref. No.	Qty.	Part #	Description
1	1	61-6199	Weldment, Baseplate, BX1125
2	8	61-5208	Weldment, 3/8-16 Nut Plate, w/ 14" Wire
3	2	102-5461	Backing Plate
4	8	201-0440	3/8-16 x 1 1/2" Hex Bolt, Grade 5, ZP
5	8	203-0010	3/8" Lock Washer, ZP
6	2	201-0979	#12-14 x 1" Self Drilling Screw, ZP
7	2	201-0192	#10-32 x 1/2" Slot, Rd. Hd. Screw
8	2	203-0054	#10-32 Lock Washer
9	2	202-0047	#10-32 Hex Nut
10	2	101-5822	Adapter, 4 Way Connector
11	2	62-3468	Attachment, Assembly, SF/SB (R)
	2	226-0046	Baseplate Safety Cable, 36" CL III (Not Shown)
	4	229-0359	Quicklink, 3/8, ZP (Not Shown)
	6	229-0536	Plastic Rivet (Not Shown)
	2	290-0437	Cap Plug, Black (Not Shown)



- ### Tools Required
- 10MM Socket
  - 15MM Socket
  - 9/16" Socket
  - 13/32" Drill Bit
  - Vise Grip
  - Diagonal Cutter
  - Loctite® RED
  - Plastic Rivet Gun

### Important:

Use only genuine factory replacement parts on your baseplate. Do **NOT** substitute homemade or non-typical parts. If a bolt is lost or in need of replacement, for your safety and the preservation of your baseplate, be sure to use a replacement bolt of the same grade (In most cases it will be Grade 5, please reference the parts list above). Replacement parts may be ordered through your nearest Blue Ox® Dealer or Distributor. Failing to follow and/or altering these installation instructions in either installation or required equipment will void the manufacturer's warranty. Towing behind a non-motorized vehicle will void the warranty.

# BX1125

## 2006-10 Jeep Commander

### Installation Instructions

#### Vehicle Weight:

Vehicles weighing near or over 5000 pounds (Indicated by Model note #11 on Steven's sheet he gives you). See below.

The weight of this vehicle is near the Class III, 5,000 lbs. rating limitations. Some models, depending on options, may well exceed this 5,000 lb rating. Be sure to confirm the weight of your individual vehicle before towing. As of 1999 the Aventa IITM is now rated 10,000 lbs. and either the Aventa IITM or the Alexus™ tow bar must be used for these applications.

**Tow Bar Adapters are NOT to be used with vehicle's weighing over 5,000 lbs.**

#### Instructions:

**The grille, front fascia, tow hooks and frame rail cups are removed for the baseplate installation. Drilling is required. The tow hooks will be removed and will NOT be reinstalled.**

**The dimensional variations between otherwise identical vehicles can be considerable. While the baseplate was designed for easy installation, it may be necessary to tailor the baseplate slightly to compensate for auto manufacturer's tolerances. These minor adjustments may include filing a hole slightly, bending electrical rods or bending end plates.**

**The BX8869 Bulb and Socket Wiring Kit is recommended for this vehicle.**



#### Installation Instructions:



1. Remove six pushpins from the top of the fascia. Set pushpins aside to be reinstalled later. The driver's side is shown.



2. Pull up on the black plastic on the top of the fascia to release. Lift grille straight up to remove. Set grille aside to be reinstalled later.

Handling of some cosmetic parts when installing this product may require the use of protective covers, rags, specialty tools, etc. to prevent damage.

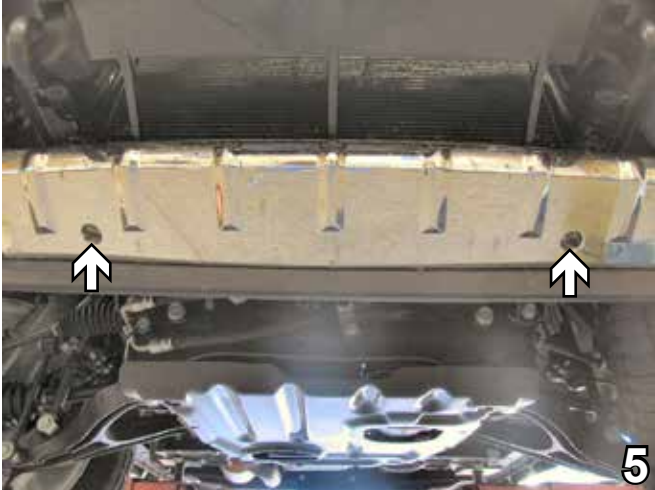
BX1125  
2006-10 Jeep Commander  
Installation Instructions



3. Remove four pushpins from the top of front fascia. Set pushpins aside to be reinstalled later.



4. Just forward of the front tire, inside the wheel well, remove three rivets with the diagonal cutters. Discard rivets as new rivets are provided for reinstallation of the fascia.



5. Using a 10MM socket, remove two metric bolts on the bottom side of the fascia. Set bolts aside to be reinstalled later.



6. Release the three clips from inside of the wheel well, just forward of the front tire, on the fender guard. Disconnect fog lights (if applicable). Pull forward on the fascia and set it aside carefully to be reinstalled later.

# BX1125

## 2006-10 Jeep Commander

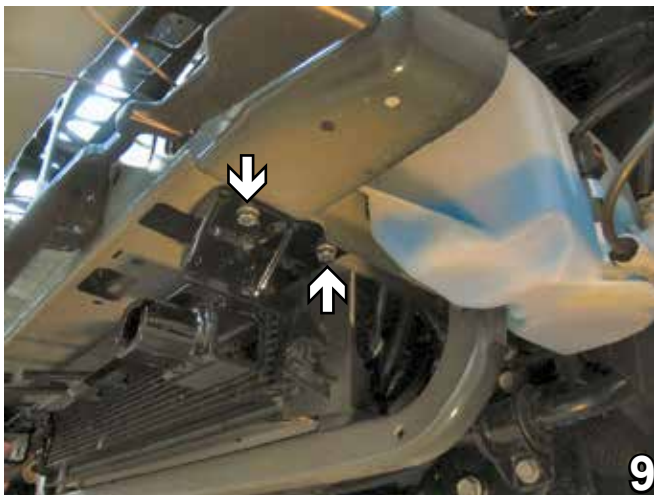
### Installation Instructions



7. Using a 15MM socket, remove three metric nuts from the tow hook. Do this to both sides of the vehicle. The tow hooks will **NOT** be reinstalled, make sure that these are returned to the customer.



8. Using a 10MM socket, remove the metric nuts securing the frame rail cup to the frame. Do this to both sides of the vehicle. Set nuts and cup aside to be reinstalled later. Remove the factory installed nut plate for the tow hook, found in the opening behind the frame cup. Set the nuts and nut plates aside to be reinstalled later. Do this to both sides of the vehicle.



9. Align the baseplate with the two outside existing holes, where the tow hooks were connected to the frame rail, and clamp in place with the vise grips. Insert 3/8-16 x 1 1/4" hex bolts with 3/8" lock washers. Do this to both sides of the vehicle.



10. Install the backing plate onto the hex bolts followed by the 3/8-16 nut plates by inserting them through the frame cup opening and aligning with the bolts.

**BE SURE TO USE LOCTITE® RED ON ALL BOLTS BEFORE TIGHTENING. TIGHTEN ALL BOLTS ACCORDING TO THE TORQUE CHART ON THE FRONT PAGE OF THESE INSTRUCTIONS OR ON PAGE 3 OF THE BASEPLATE TOWING GENERAL INSTRUCTIONS.**

# BX1125

## 2006-10 Jeep Commander

### Installation Instructions



11. Using the baseplate as a template, drill two holes into the frame rail, between the radiator and the metal bumper, with the 13/32" drill bit. Do this to both sides of the vehicle.

**When using power drills be aware of the dangers of torque and drill bit length.**

13. Reinstall frame rail cups, fascia, and grille to their original positions. Be sure to install all rivets pushpins and bolts.

Install the tow bar and safety cables according to their instructions. When demonstrating this to the customer, be sure to include all of the Blue Ox packaging and contents.

**DO NOT** substitute other devices if the tow bar pins and clips are misplaced.

Be sure that **ALL** electrical connections are plugged in properly and functioning **BEFORE** installing the fascia.



12. Install the 3/8-16 x 1 1/4" hex bolts with 3/8" lock washers into the drilled holes. Insert 3/8-16 nut plates into the frame rail opening and align with the bolts. Tighten all bolts. Do this to both sides of the vehicle.

**BE SURE TO USE LOCTITE® RED ON ALL BOLTS BEFORE TIGHTENING. TIGHTEN ALL BOLTS ACCORDING TO THE TORQUE CHART ON THE FRONT PAGE OF THESE INSTRUCTIONS OR ON PAGE 3 OF THE BASEPLATE TOWING GENERAL INSTRUCTIONS.**

**DEALER or INSTALLER:**  
**Be certain the user receives the instruction sheets for their products.**

BX1125  
2006-10 Jeep Commander  
Installation Instructions



If the baseplate is in an accident, it must be replaced. DO NOT use it again! An accident can cause unseen damage and using it again could result in more damage or serious injury. DO NOT use the baseplate if it is damaged or missing parts.

**CUSTOMER SERVICE COMMITMENT**

Blue Ox is committed to providing you with exceptional customer care throughout your lifetime with our products. Our team is here to assist you with any questions you may have regarding the performance of your product. Simply call 1-(402) 385-3051 and you can speak with our customer care team.

Additionally, please visit our website to see which rallies our Destination America team will be attending. For a nominal fee, our service technician will service your towing system to ensure it's in proper working condition. Also as a commitment to our customers, should you visit our factory you can stay at our full service Blue Ox campground at no charge along with enjoying a factory tour.

Again thank you for being our customer and for the confidence you have shown in the performance of our products. It is because of customers like you we enjoy the success we have today.



© 2005, 06, 07, 09, 10 Blue Ox  
One Mill Road, Industrial Park  
Pender, Nebraska 68047  
Phone: (402) 385-3051  
Toll Free: (888) 425-5382  
Fax: (402) 385-3360  
[www.blueox.com](http://www.blueox.com)  
9/27/10

# General Information

1. Ensure that your product(s) are registered online at [www.blueox.com](http://www.blueox.com). It is crucial to register your product(s) so that you may be alerted of product offerings, updates, upgrades, maintenance and safety bulletins, and/or recalls.
2. **It is the owner's responsibility to inspect all towing equipment for cracked welds, missing or worn parts and loose bolts before each towing trip.** Be sure to use Loctite® Red on all bolts and tighten to the recommended specifications.
3. **It is the owner's responsibility to hook up all towing equipment per manufacturer's instructions/recommendations.**
4. Remove the attachment tabs when not in use (if applicable).

## Notice To Baseplate Installer

1. **It is YOUR responsibility to watch for:**

- Oil cooler and air conditioner lines
- Electrical wires and hoses
- Missing parts or attaching points on the frame

\*\* If the baseplate is improperly installed and is against a wire or hose, it could cause fluid leaks or electrical shorts some time after the actual baseplate installation.

## Permanent Baseplate Safety Cable Installation

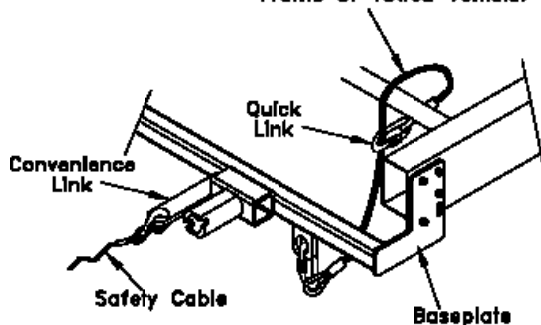
Permanent baseplate safety cables are strongly recommended when towing a vehicle with a tow bar. The principle function of the permanent baseplate safety cables is to prevent the towed vehicle from breaking loose in the event the connection between the frame of the towed vehicle and the baseplate fails or becomes disconnected. The cables must be connected from the baseplate to the frame rail or cross member of the vehicle's frame. The illustrations below show the possible arrangements recommended by Blue Ox®. Each permanent baseplate safety cable must have an adequate weight rating for the towing system. The weight rating of the two (2) cables together will not qualify.

***Do not mount the permanent baseplate safety cables against wires, hoses or brake lines.***

These permanent baseplate safety cables should remain installed as long as the baseplate is installed on the vehicle. Permanent baseplate safety cables are to be used in conjunction with, and NOT a replacement for legally required safety cables attaching the towed vehicle to the towing vehicle.

### OPTION #1

Permanent Baseplate Safety Cables to Cross Member or Frame of Towed Vehicle.



### OPTION #2

Permanent Baseplate Safety Cables to Cross Member or Frame of Towed Vehicle.

