

14070

DODGE RAM CHASSIS CAB 3500/4500/5500

10/26/2020

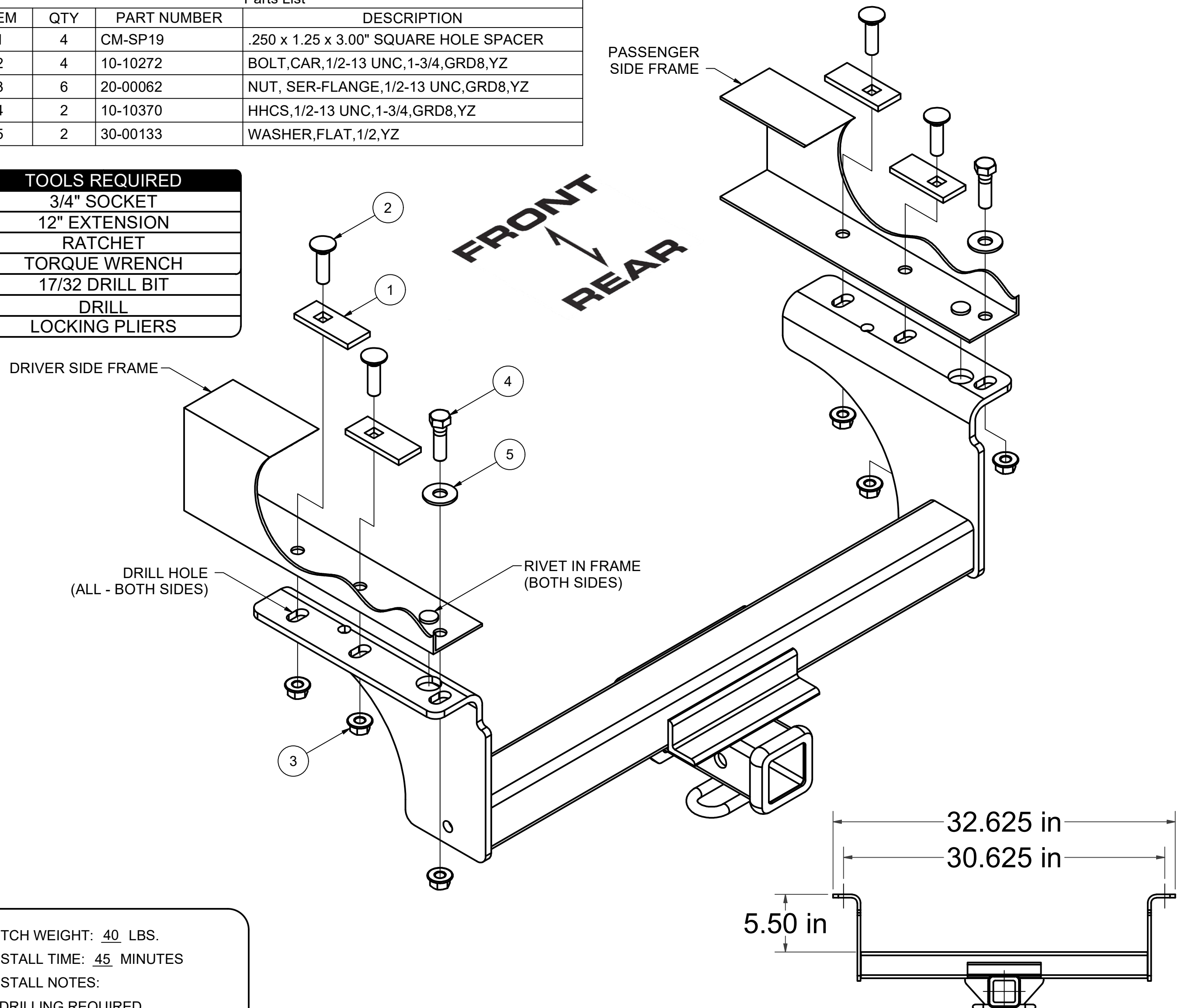
GROSS LOAD CAPACITY WHEN USED AS A WEIGHT CARRYING HITCH: 10,000 LBS. TRAILER WEIGHT & 1,000 LBS. TONGUE WEIGHT.
GROSS LOAD CAPACITY WHEN USED AS A WEIGHT DISTRIBUTION HITCH: 12,000 LBS. TRAILER WEIGHT & 1,200 LBS. TONGUE WEIGHT

*****DO NOT EXCEED VEHICLE MANUFACTURER'S RECOMMENDED TOWING CAPACITY.*****

HAVING INSTALLATION QUESTIONS? CALL TECHNICAL SUPPORT AT 877-287-8634

Parts List			
ITEM	QTY	PART NUMBER	DESCRIPTION
1	4	CM-SP19	.250 x 1.25 x 3.00" SQUARE HOLE SPACER
2	4	10-10272	BOLT,CAR,1/2-13 UNC,1-3/4,GRD8,YZ
3	6	20-00062	NUT, SER-FLANGE,1/2-13 UNC,GRD8,YZ
4	2	10-10370	HHCS,1/2-13 UNC,1-3/4,GRD8,YZ
5	2	30-00133	WASHER,FLAT,1/2,YZ

TOOLS REQUIRED
3/4" SOCKET
12" EXTENSION
RATCHET
TORQUE WRENCH
17/32 DRILL BIT
DRILL
LOCKING PLIERS



HITCH WEIGHT: 40 LBS.
INSTALL TIME: 45 MINUTES
INSTALL NOTES:
- DRILLING REQUIRED

INSTALLATION STEPS

1. Raise the hitch into position centering the tabs in the frame to the 1" holes on the sideplates and clamp to the frame using locking pliers.
2. Mark the six slot centers of both sideplates on the frame rails and drill with a 17/32" bit.
3. Attach the hardware as shown in the figure above.
4. Torque all 1/2" hardware to 110 ft.-lbs.

PERIODICALLY CHECK THIS RECEIVER HITCH TO ENSURE THAT ALL FASTENERS ARE TIGHT AND THAT ALL STRUCTURAL COMPONENTS ARE SOUND.

Curt Manufacturing Inc., warrants this product to be free of defects in material and/or workmanship at the time of retail purchase by the original purchaser. If the product is found to be defective, Curt Manufacturing Inc., may repair or replace the product, at their option, when the product is returned, prepaid, with proof of purchase. Alteration to, misuse of, or improper installation of this product voids the warranty. Curt Manufacturing Inc.'s liability is limited to repair or replacement of products found to be defective, and specifically excludes liability for incidental or consequential loss or damage.