

INSTALLATION MANUAL

13592

Level of Difficulty

Moderate

Installation difficulty levels are based on time and effort involved and may vary depending on the installer level of expertise, condition of the vehicle and proper tools and equipment.

Weight Carrying Capacity

Gross trailer weight (GTW)	6,000 lbs.
Tongue weight (TW)	600 lbs.

Tools Required

Ratchet	Torx bit, T-25 / T-30
Socket, 18mm	Aviation shears / knife
Socket extension, 6"	Tape measure
Torque wrench	Marker
Panel trim removal tool	Safety glasses

* For a tools reference guide visit curtmfg.com/trailer-hitch-installation

Product Registration and Warranty

CURT stands behind our products with industry-leading warranties. To get copies of the product warranties, register your purchase or provide feedback, visit: warranty.curtgroup.com/surveys

⚠ WARNING

Never exceed the vehicle manufacturer's recommended towing capacity.

Product Photo



NOTICE

Visit www.curtmfg.com for a full-color copy of this instruction manual, as well as helpful videos, guides and much more!

Before you begin installation, read all instructions thoroughly.

Proper tools will improve the quality of installation and reduce the time required.

This installation requires:

- No drilling required
- Remove taillights
- Bumper cover and beam removal required
- Fascia trimming required

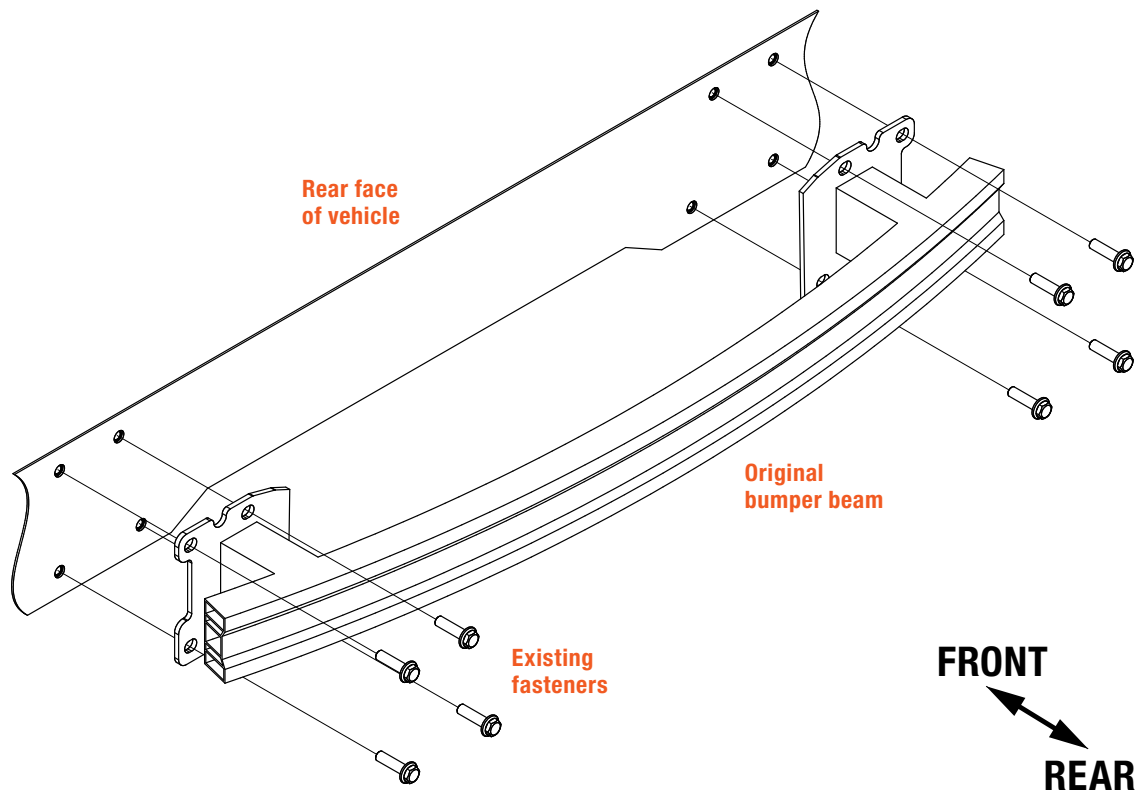
Periodic inspection of the trailer hitch should be performed to ensure all mounting hardware remains tight and structural components are secure.

To help prevent damage to the product or vehicle, refer to the specified torque specifications when securing hardware during the installation process.

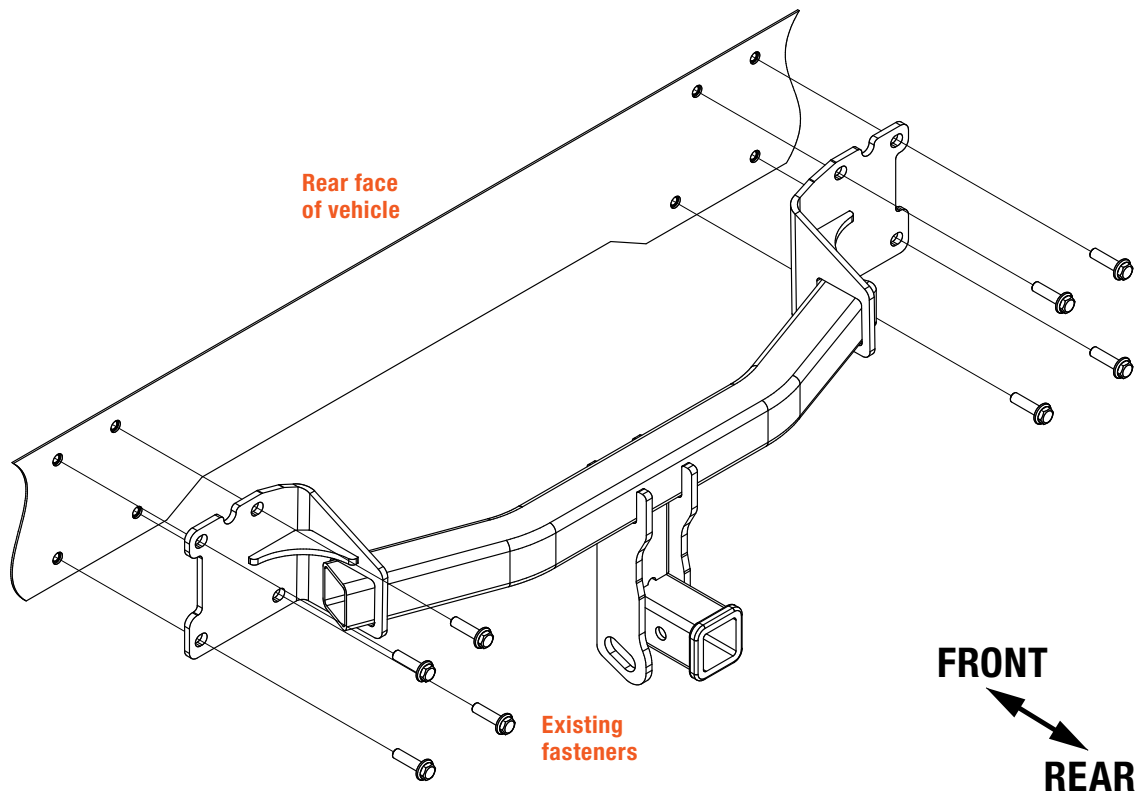
SAFETY INSTRUCTIONS

Safety glasses should be worn at all times while installing this product.

BUMPER REMOVAL



HITCH INSTALLATION



Step 1

Open the rear hatch gate and use a plastic pry tool to remove the plastic cover by each taillight. Use a T-30 Torx bit to remove the two screws securing each taillight housing in place. Remove the two screws fastening the bumper fascia around the taillight area on each side using a T-25 and T-30 Torx bit.

Step 2

Use a T-25 Torx bit to remove the five screws from each exhaust heat shield and remove both shields.

Step 3

Remove four button head screws from the lower edge of the bumper fascia with the T-25 Torx bit. Remove four more screws along the rear edge of the wheel well openings on each side as well. Remove the two screws behind the license plate.

Step 4

Using a plastic pry tool, carefully pry the rear fender well trim rearward while releasing the clips from the fascia. Remove only up to the bumper cover mating seam. While pulling the fender trim away from the vehicle locate and remove two screws with a T-25 Torx bit from each wheel well.

Step 5

Support the bumper cover and carefully disconnect any wiring attached to it. Carefully unsnap the bumper cover from the vehicle and place in a secure location to avoid damaging it.

Step 6

Remove eight M12 bolts securing the bumper beam to the vehicle with an 18mm socket. Return the beam and reinforcement plates to the vehicle owner.

Step 7

Lift the hitch into position where the bumper beam was and reinstall the bolts removed in the previous step. Torque all M12 bolts to 68 ft-lbs.

Step 8

Mark the lower bumper cover area to be trimmed by finding the center of the cover. Mark a 4" by 4" area centered on the cover and along the lower edge. Hold the bumper cover in place on the vehicle to verify it is correct and check that all wiring is clear before cutting. Use an aviator shears or knife to carefully trim the area. Hold in position on the vehicle to check fitment, trim more if needed.

Step 9

Reinstall the bumper cover, wiring, trim, heat shields and taillights in reverse order of removal.

TOWING BASICS & SAFETY INFORMATION

For information on safely towing your trailer, visit curtmfg.com/understanding-towing.