

# INSTALLATION MANUAL

# 13546

## Level of Difficulty

Moderate

Installation difficulty levels are based on time and effort involved and may vary depending on the installer level of expertise, condition of the vehicle and proper tools and equipment.

## Weight Carrying Capacity

Tongue weight (TW)	200 lbs.
--------------------	----------

## Parts List

Item	Qty	Description
1	1	Accessory frame
2	4	Carriage bolt, 1/2"
3	4	Square-hole spacer, 1/4" x 1" x 2-1/2"
4	4	Serrated-flange nut, 1/2"
5	4	Fishwire, 1/2"

## Tools Required

Ratchet	Cut-off wheel
Torque wrench	Die grinder
Socket, 10mm	Rotary tool
Socket, 3/4"	Tape measure
Socket extension, 10"	Tape
Flathead screwdriver	--

\* For a tools reference guide visit [curtmfg.com/trailer-hitch-installation](http://curtmfg.com/trailer-hitch-installation)

## ⚠ WARNING

Never exceed the vehicle manufacturer's recommended towing capacity.

Not intended for towing use

## Product Photo



## NOTICE

Visit [www.curtmfg.com](http://www.curtmfg.com) for a full-color copy of this instruction manual, as well as helpful videos, guides and much more!

Before you begin installation, read all instructions thoroughly.

Proper tools will improve the quality of installation and reduce the time required.

This installation requires:

- Temporary removal of underbody panels
- Trimming of lower bumper fascia
- Hole enlargement

Periodic inspection of the trailer hitch should be performed to ensure all mounting hardware remains tight and structural components are secure.

To help prevent damage to the product or vehicle, refer to the specified torque specifications when securing hardware during the installation process.

## SAFETY INSTRUCTIONS

Safety glasses should be worn at all times while installing this product.

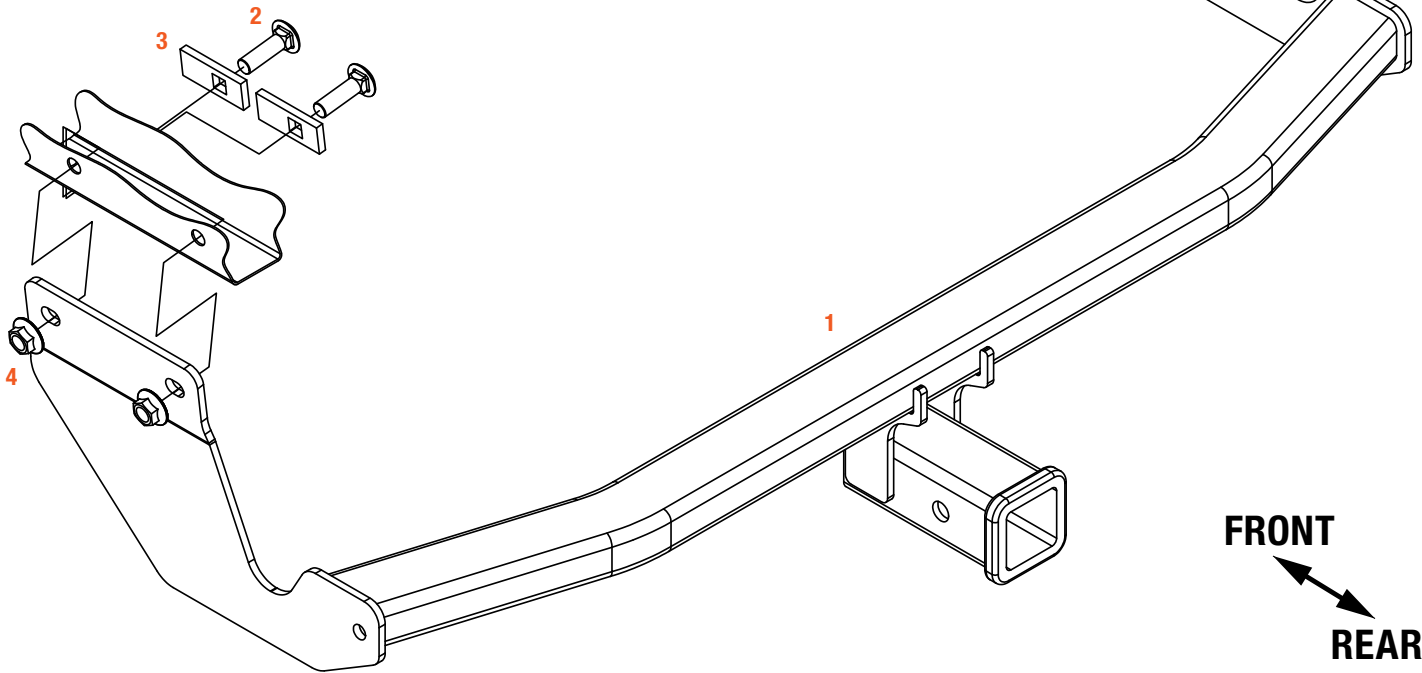
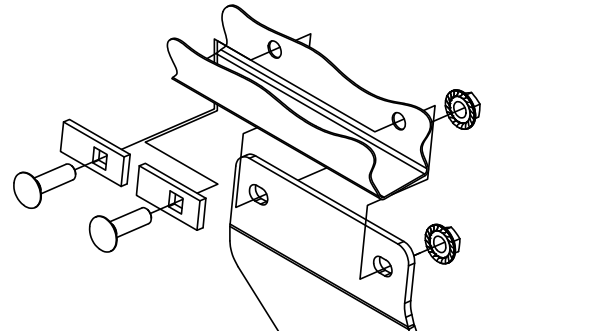
## Product Registration and Warranty

CURT stands behind our products with industry-leading warranties. To get copies of the product warranties, register your purchase or provide feedback, visit: [warranty.curtgroup.com/surveys](http://warranty.curtgroup.com/surveys)

# ASSEMBLY

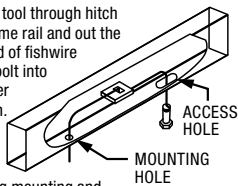
## Parts List

Item	Qty	Description
1	1	Accessory frame
2	4	Carriage bolt, 1/2"
3	4	Square-hole spacer, 1/4" x 1" x 2-1/2"
4	4	Serrated-flange nut, 1/2"
5	4	Fishwire, 1/2"

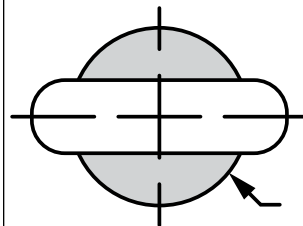


### FISHWIRE TECHNIQUE

Insert coiled end of fishwire tool through hitch mounting hole in vehicle frame rail and out the access hole. Pass coiled end of fishwire through spacer and thread bolt into coil. Kink wire to keep spacer separate from bolt as shown. Pull fishwire, spacer and bolt through frame and out mounting hole. Use fishwire to guide hitch during mounting and prevent loss of bolt or spacer inside frame rail.



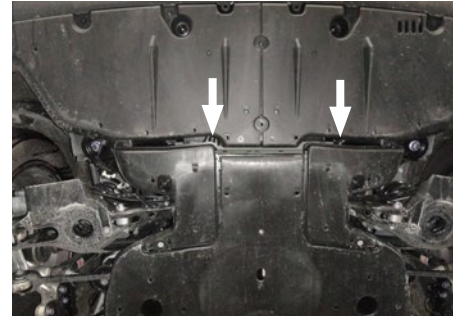
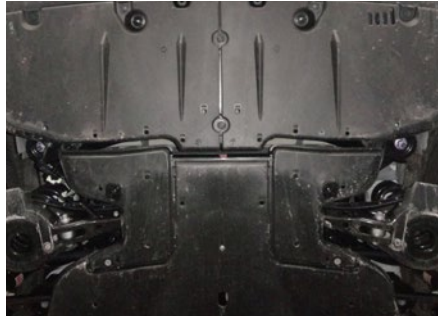
### HOLE ENLARGEMENT



### Step 1

Remove the driver-side underbody panel by removing the five plastic push fasteners and plastic nut using a 10mm socket and extension towards the front of the vehicle. Loosen the two retained nuts while pulling down on the panel.

Repeat on the passenger-side panel.



### Step 2

Remove the stickers covering the holes on the outside of the frame rails and the rubber plug from the bottom of each frame rail.

Enlarge the bottom access hole.



### Step 3

Temporarily remove the backup alarm by disconnecting the electrical connector and removing the nut with a 10mm socket.



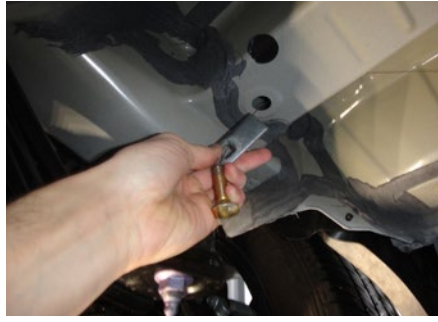
### Step 4

Trim the driver-side under body panel using the trim diagram as a reference.



### Step 5

Fishwire 1/2" carriage bolts (#2) and square-hole spacers (#3) through the enlarged access hole and leave the hardware in the frame with the fishwires attached.



### Step 6

Raise the hitch into position, sliding the center through the cutout and the main body up behind the bumper cover. Guide the fishwires through the holes in the side plates, then rotate the side plates into position.

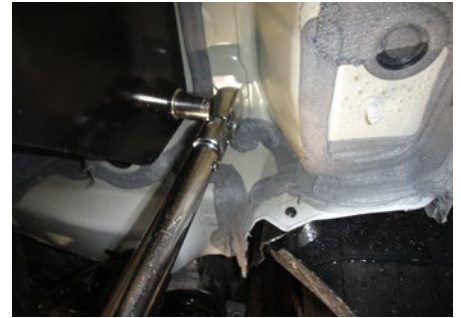


### Step 7

Pull the hardware through the hitch and carefully remove the fishwires. Secure the carriage bolts with the 1/2" serrated flange nuts (#4).

Torque the 1/2" hardware to 90 ft-lbs.

Reinstall the parts removed following steps 1 through 3 in reverse order.



## TOWING BASICS & SAFETY INFORMATION

For information on safely towing your trailer, visit [curtmfg.com/understanding-towing](http://curtmfg.com/understanding-towing).