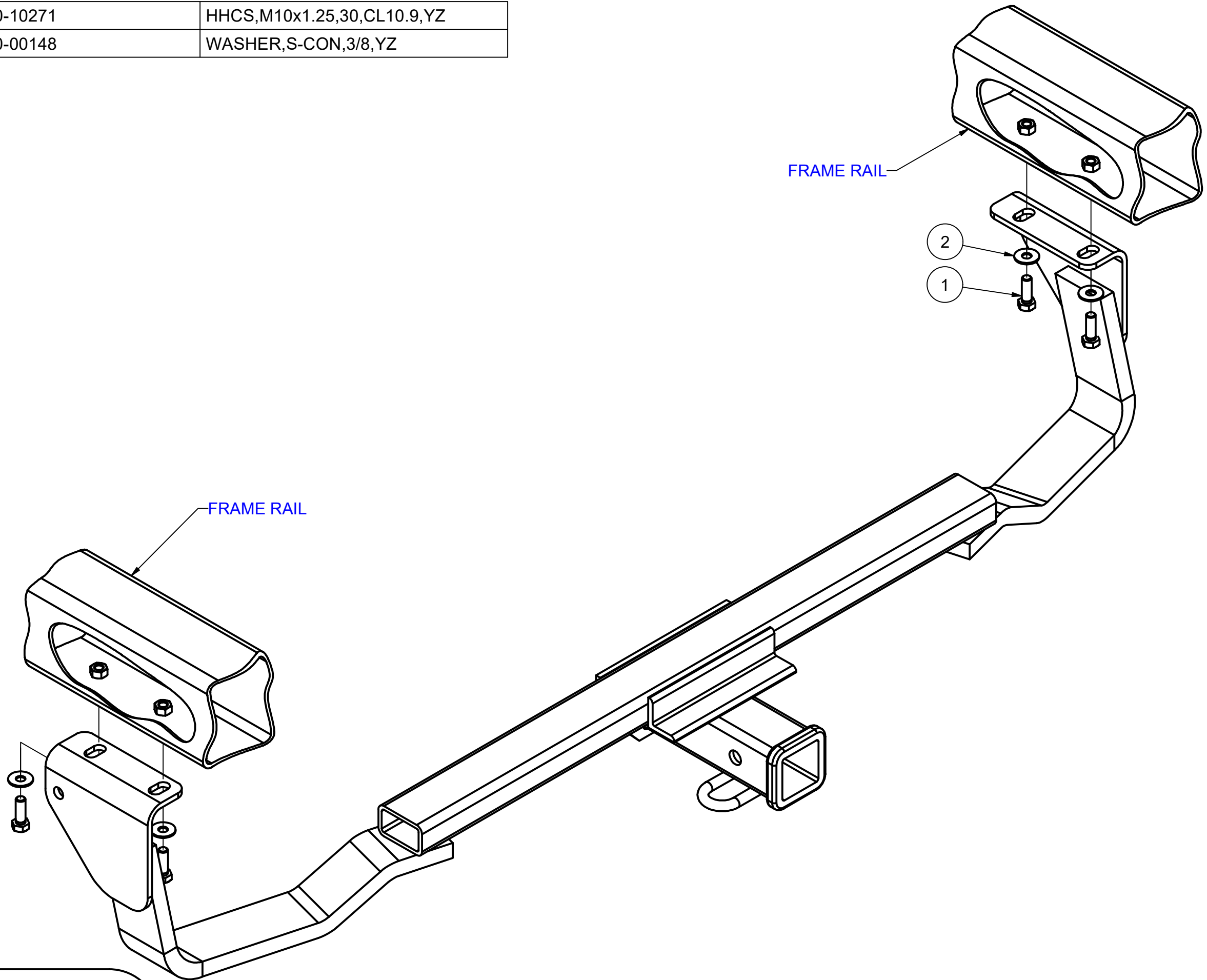


GROSS LOAD CAPACITY WHEN USED AS A WEIGHT CARRYING HITCH: 3,500 LBS. TRAILER WEIGHT & 350 LBS. TONGUE WEIGHT.  
**\*\*\*DO NOT EXCEED VEHICLE MANUFACTURER'S RECOMMENDED TOWING CAPACITY.\*\*\***

1	4	10-10271	HHCS,M10x1.25,30,CL10.9,YZ
2	4	30-00148	WASHER,S-CON,3/8,YZ



HITCH WEIGHT: 46 LBS.  
 INSTALL TIME: 60 MINUTES  
 INSTALL NOTES:  
 NO DRILL

### INSTALLATION STEPS

- 1) Lower exhaust on vehicle.
- 2) Remove tow loop on passenger side of vehicle by first removing heat shield. After tow loop is removed, return heat shield to original position.
- 3) Raise hitch into position and align holes in hitch with holes in frame rails.
- 4) Fasten hitch to vehicle using hardware provided.
- 5) Torque all M10 x 1.25 hardware to 48 lb-ft.
- 6) Return exhaust to original position.

**PERIODICALLY CHECK THIS RECEIVER HITCH TO ENSURE THAT ALL FASTENERS ARE TIGHT AND THAT ALL STRUCTURAL COMPONENTS ARE SOUND.**