

# INSTALLATION MANUAL

# 13520

## Level of Difficulty

Moderate

Installation difficulty levels are based on time and effort involved and may vary depending on the installer level of expertise, condition of the vehicle and proper tools and equipment.

## Weight Carrying Capacity

Gross trailer weight (GTW)	2,500 lbs.
Tongue weight (TW)	250 lbs.

## Parts List

Item	Qty	Description
1	1	Trailer hitch
2	1	Mounting bracket, driver side
3	1	Mounting bracket, passenger side
4	6	Hex bolt, M12 x 1.25" x 35
5	6	Carriage bolt, 1/2"-13 x 1.25"
6	6	Conical-toothed washer, 1/2"
7	6	Serrated-flange nut, 1/2"-13

## Tools Required

Ratchet	Phillips screwdriver
Socket, 3/4"	Tape
Socket, 10mm	Tape measure
Socket, 19mm	Fishwire, 1/2" (includes 4 qty)
Torque wrench	Shears
Flathead screwdriver	--

\* For a tools reference guide visit [curtmfg.com/trailer-hitch-installation](http://curtmfg.com/trailer-hitch-installation)

## ⚠ WARNING

Never exceed the vehicle manufacturer's recommended towing capacity.

## Product Photo



## NOTICE

Visit [www.curtmfg.com](http://www.curtmfg.com) for a full-color copy of this instruction manual, as well as helpful videos, guides and much more!

Before you begin installation, read all instructions thoroughly.

Proper tools will improve the quality of installation and reduce the time required.

This installation requires:

- Part removal and trimming of the underbody panel.

Periodic inspection of the trailer hitch should be performed to ensure all mounting hardware remains tight and structural components are secure.

To help prevent damage to the product or vehicle, refer to the specified torque specifications when securing hardware during the installation process.

## SAFETY INSTRUCTIONS

Safety glasses should be worn at all times while installing this product.

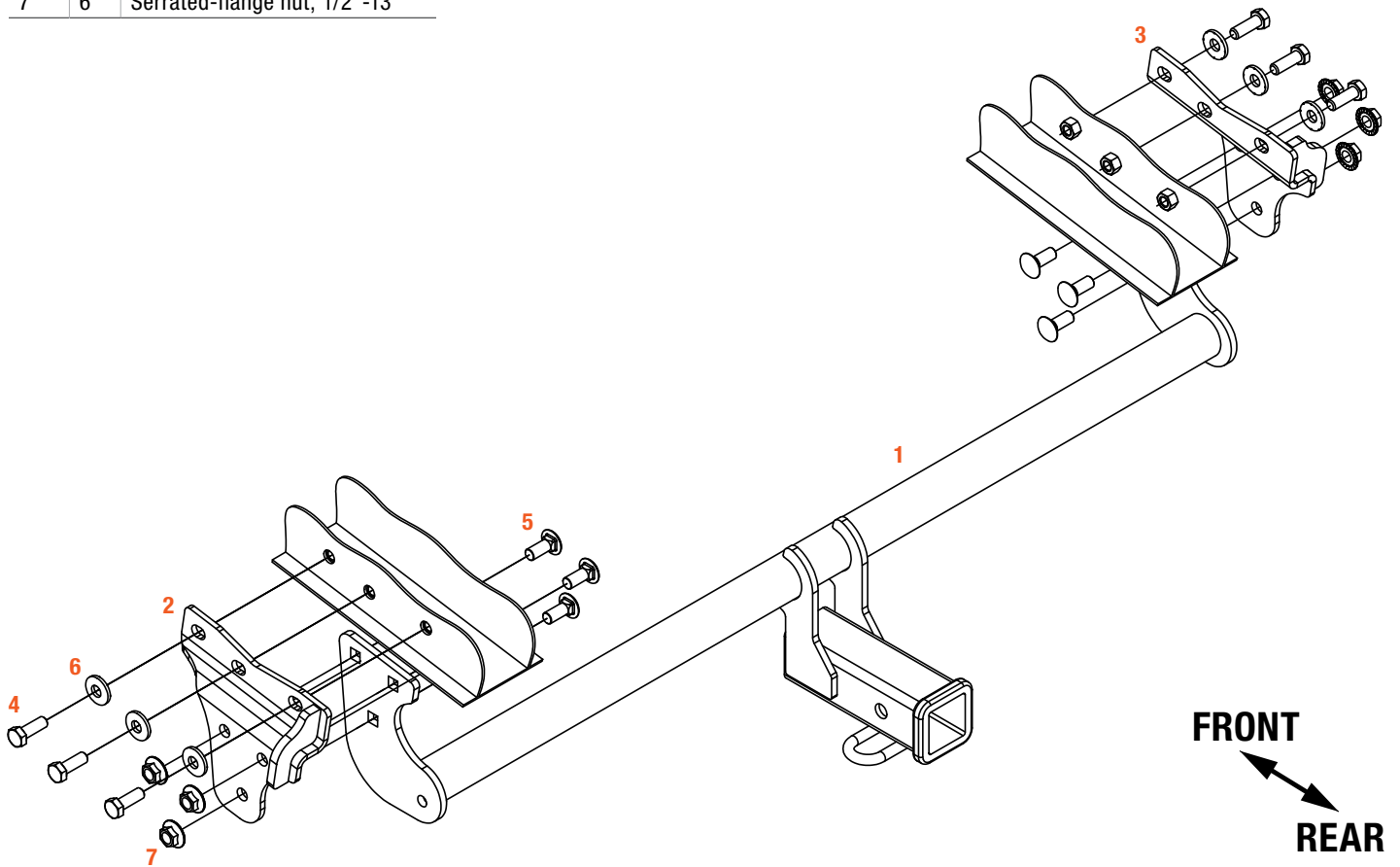
## Product Registration and Warranty

CURT stands behind our products with industry-leading warranties. To get copies of the product warranties, register your purchase or provide feedback, visit: [warranty.curtgroup.com/surveys](http://warranty.curtgroup.com/surveys)

# ASSEMBLY

## Parts List

Item	Qty	Description
1	1	Trailer hitch
2	1	Mounting bracket, driver side
3	1	Mounting bracket, passenger side
4	6	Hex bolt, M12 x 1.25" x 35
5	6	Carriage bolt, 1/2"-13 x 1.25"
6	6	Conical-toothed washer, 1/2"
7	6	Serrated-flange nut, 1/2"-13



**WELDNUT CLEANING**  
To remove debris from weldnuts in frame, spray lubricant or compressed air into the hole. For heavy debris, use a wire brush. Take care not to damage threads.

**CONICAL TOOTHED WASHER ORIENTATION**

VEHICLE FRAME  
HITCH SIDE PLATE  
CONICAL TOOTHED WASHER  
HEX BOLT

**FISHWIRE TECHNIQUE**

Insert coiled end of fishwire tool through hitch mounting hole in vehicle frame rail and out the access hole. Pass coiled end of fishwire through spacer and thread bolt into coil. Kink wire to keep spacer separate from bolt as shown. Pull fishwire, spacer and bolt through frame and out mounting hole. Use fishwire to guide hitch during mounting and prevent loss of bolt or spacer inside frame rail.

ACCESS HOLE  
MOUNTING HOLE

### Step 1

Remove the rearmost lower bumper panel by removing 10 clips and set aside for reinstallation.

**Note:** Removing the large underbody panel may ease installation.



### Step 2

Carefully dislodge the two electrical cables routed along the end of the driver-side frame rail.



### Step 3

Loosely install the driver-side mounting bracket (#2) to the outside of the driver-side frame rail using M12 hex bolts (#4) and conical-toothed washers (#6).

Repeat on the passenger side of the vehicle.



#### Step 4

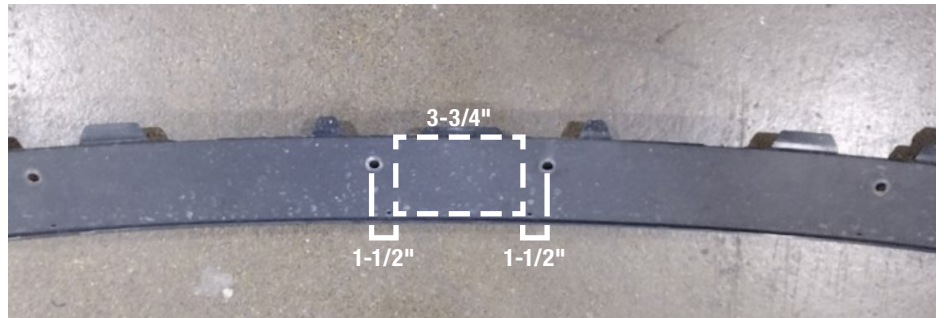
Raise the hitch (#1) into position between the side plates installed in step 2. Secure with 1/2" carriage bolts (#5) installed from the center of the vehicle outward and serrated-flange nuts (#7). Use fishwires as needed to install bolts.



#### Step 5

Torque all M12 hardware to 86 ft-lbs.  
Torque all 1/2" hardware to 90 ft-lbs.

Trim the underbody removed in step 1 using the trim diagram for reference and reinstall.



#### Final Installed Image



#### TOWING BASICS & SAFETY INFORMATION

For information on safely towing your trailer, visit [curtmfg.com/understanding-towing](https://curtmfg.com/understanding-towing).