

INSTALLATION MANUAL

13515

Level of Difficulty

Moderate

Installation difficulty levels are based on time and effort involved and may vary depending on the installer level of expertise, condition of the vehicle and proper tools and equipment.

Weight Carrying Capacity

Gross trailer weight (GTW)	3,500 lbs.
Tongue weight (TW)	525 lbs.

Weight Distribution Capacity

Weight distribution (WD)	4,000 lbs.
WD tongue weight (WDTW)	525 lbs.

Parts List

Item	Qty	Description
1	1	Trailer hitch
2	4	Hex bolt, M12 x 1.25"
3	2	Hex nut, M8 x 1.25"
4	2	Conical-toothed washer, 3/8"
5	4	Conical-toothed washer, 1/2"

Tools Required

Ratchet	Reciprocating saw / hacksaw
Socket, 10mm, 12mm, 17mm, 19mm	Flathead screwdriver
Socket extension	Tape
Torque wrench	Marker

* For a tools reference guide visit curtmfg.com/trailer-hitch-installation

⚠ WARNING

Never exceed the vehicle manufacturer's recommended towing capacity.

Product Photo



⚠ CAUTION

Use caution when trimming lower fascia / underbody panels

NOTICE

Visit www.curtmfg.com for a full-color copy of this instruction manual, as well as helpful videos, guides and much more!

Before you begin installation, read all instructions thoroughly.

Proper tools will improve the quality of installation and reduce the time required.

This installation requires:

- Part removal and trimming of underbody panel

Periodic inspection of the trailer hitch should be performed to ensure all mounting hardware remains tight and structural components are secure.

To help prevent damage to the product or vehicle, refer to the specified torque specifications when securing hardware during the installation process.

SAFETY INSTRUCTIONS

Safety glasses should be worn at all times while installing this product.

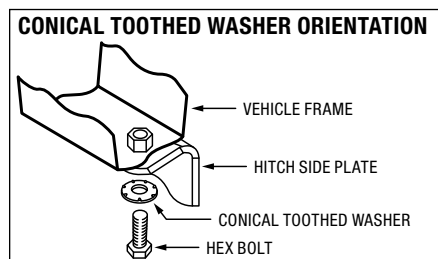
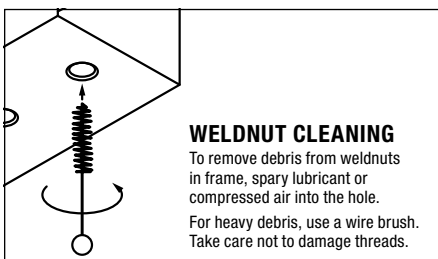
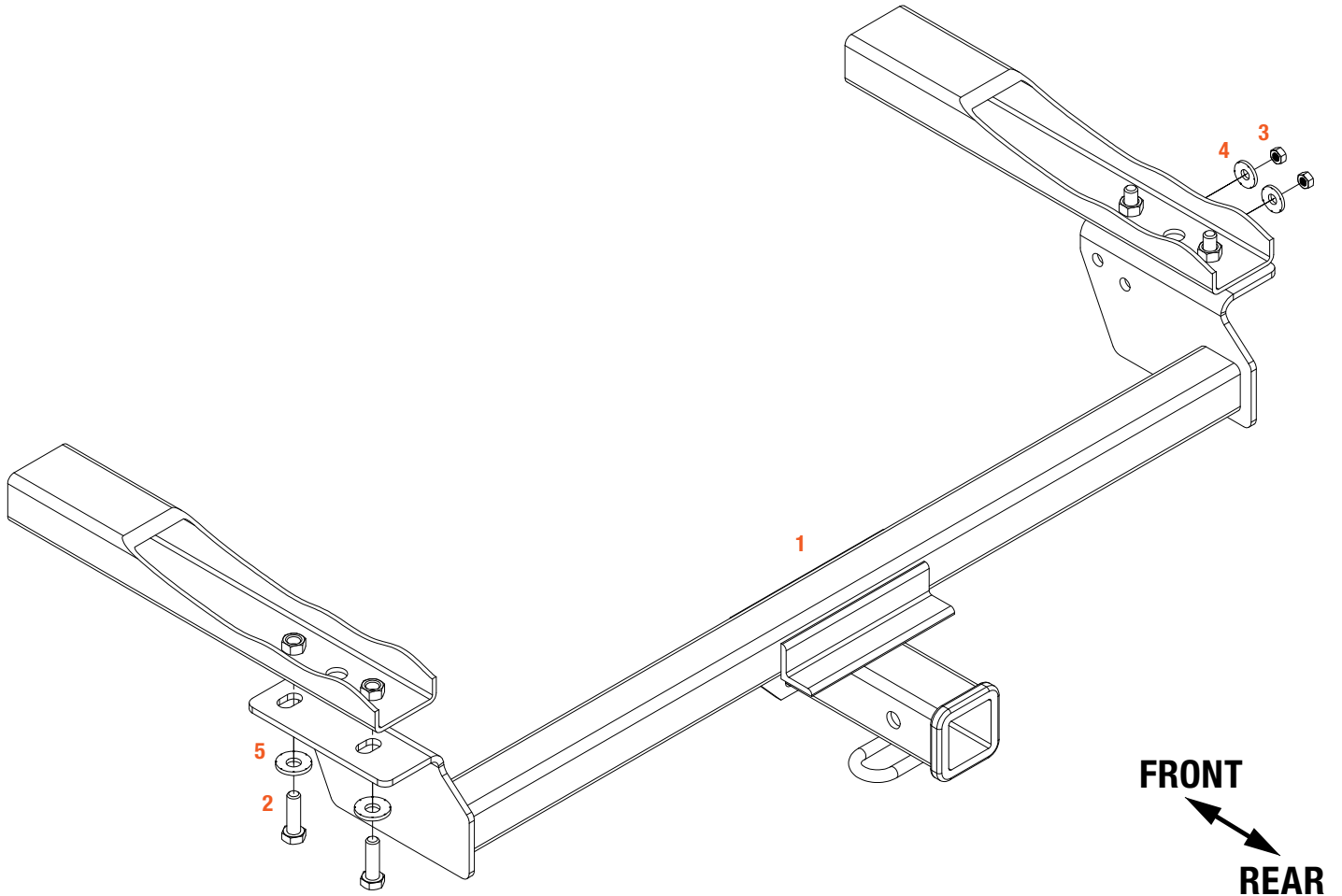
Product Registration and Warranty

CURT stands behind our products with industry-leading warranties. To get copies of the product warranties, register your purchase or provide feedback, visit: warranty.curtgroup.com/surveys

ASSEMBLY

Parts List

Item	Qty	Description
1	1	Trailer hitch
2	4	Hex bolt, M12 x 1.25"
3	2	Hex nut, M8 x 1.25"
4	2	Conical-toothed washer, 3/8"
5	4	Conical-toothed washer, 1/2"



Step 1

For non-hybrid models, skip to step 2

Remove the underbody panel using a 10mm socket to remove the 14 fasteners that secure the panel. Move the wheel well trim to the side to expose a push fastener securing the panel to vehicle. Set panel and all fasteners aside for reinstallation.

Step 2

Remove the tie-down bracket located on the passenger side by removing two bolts using a 17mm socket. Return the tie-down to the vehicle owner.

Step 3

Remove the two rear-most plastic caps located on the driver-side frame rail using a flathead screwdriver to gain access to the existing vehicle weldnuts.

Step 4

For model year after 2021:

If present, remove two tabs from the sensor bracket located behind lower fascia.

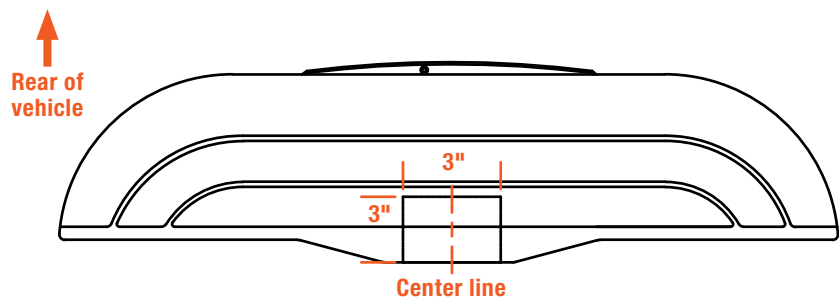
Step 5

For hybrid models, skip to step 6

Locate the center line of the bottom edge of the fascia and mark a 3" x 3" trim area. Using a reciprocating saw / hacksaw, trim the marked area. Use the trim diagram to the right as a reference.

NOTICE

Do not cut on the sensor bracket.



Step 6

For non-hybrid models skip to step 7

Lower the exhaust by removing two M8 bolts from the bracket on the passenger side of the vehicle using a 12mm socket. Set the bolts aside for reinstallation.

Step 7

Raise the hitch into position and secure with the existing vehicle weldnuts, two M12 bolts and 1/2" conical washers on each side.

NOTICE

Slight bending / modification to the exhaust heat shield may be needed to avoid touching the hitch.

Step 8

Torque all M12 hardware to 79 ft-lbs.

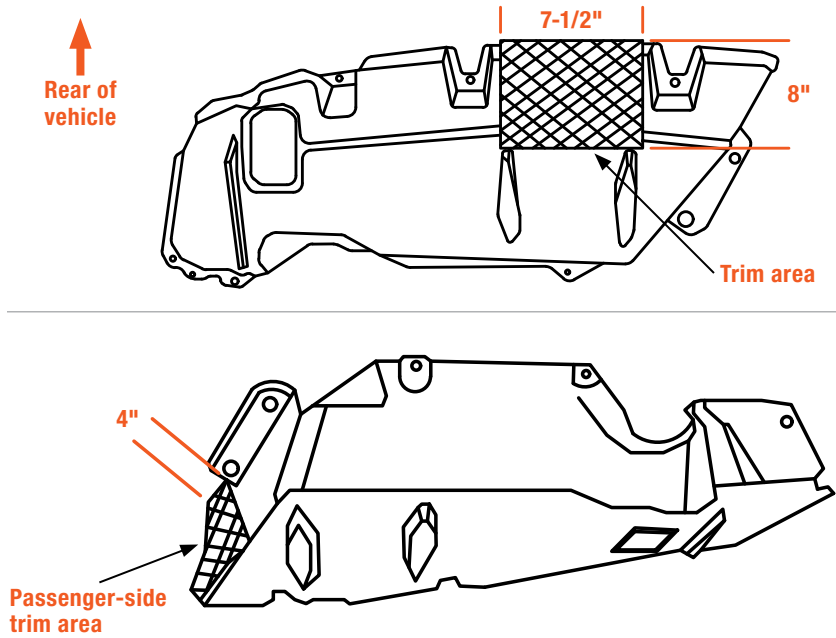
Step 9

For non-hybrid models, skip remaining steps.

Raise the exhaust into position, aligning the exhaust bracket with the mounting holes located on the side plate of the hitch. Secure using the two M8 bolts removed in step 6 along with the supplied 3/8" conical washers and M8 hex nuts. Torque all M8 hardware to 16 ft-lbs.

Step 10

Mark out areas to be trimmed on both underbody panels using the trim diagram as a reference. Use a reciprocating saw / hacksaw to trim the marked area.



Step 11

Reinstall underbody panel using all fourteen fasteners removed during step 1.

Note: Slide the rear part of the panel into place first to help ease the reinstallation.

TOWING BASICS & SAFETY INFORMATION

For information on safely towing your trailer, visit curtmfg.com/understanding-towing.