

INSTALLATION MANUAL

13474

Level of Difficulty

Easy

Installation difficulty levels are based on time and effort involved and may vary depending on the installer level of expertise, condition of the vehicle and proper tools and equipment.

Weight Carrying Capacity

Gross trailer weight (GTW)	3,500 lbs.
Tongue weight (TW)	525 lbs.

Parts List

Item	Qty	Description
1	6	Carriage bolt, 1/2"-13 x 1-1/2", grade 8
2	6	Serrated-flange nut, 1/2"-13
3	6	Spacer, 1/4" x 1" x 2-1/2"
4	6	Fishwire, 1/2"

Tools Required

Socket, 7mm	Ratchet
Socket, 10mm	Torque wrench
Socket, 3/4"	Fishwire, 1/2"
Socket extension, 6"	Rotary tool

* For a tools reference guide visit curtmfg.com/trailer-hitch-installation

⚠ WARNING

Never exceed the vehicle manufacturer's recommended towing capacity.

Product Photo



NOTICE

Visit www.curtmfg.com for a full-color copy of this instruction manual, as well as helpful videos, guides and much more!

Before you begin installation, read all instructions thoroughly.

Proper tools will improve the quality of installation and reduce the time required.

This installation requires:

- Partial removal and trimming of underbody panel
- Trimming of rear bumper fascia
- Temporary lowering of exhaust

Periodic inspection of the trailer hitch should be performed to ensure all mounting hardware remains tight and structural components are secure.

To help prevent damage to the product or vehicle, refer to the specified torque specifications when securing hardware during the installation process.

SAFETY INSTRUCTIONS

Safety glasses should be worn at all times while installing this product.

Product Registration and Warranty

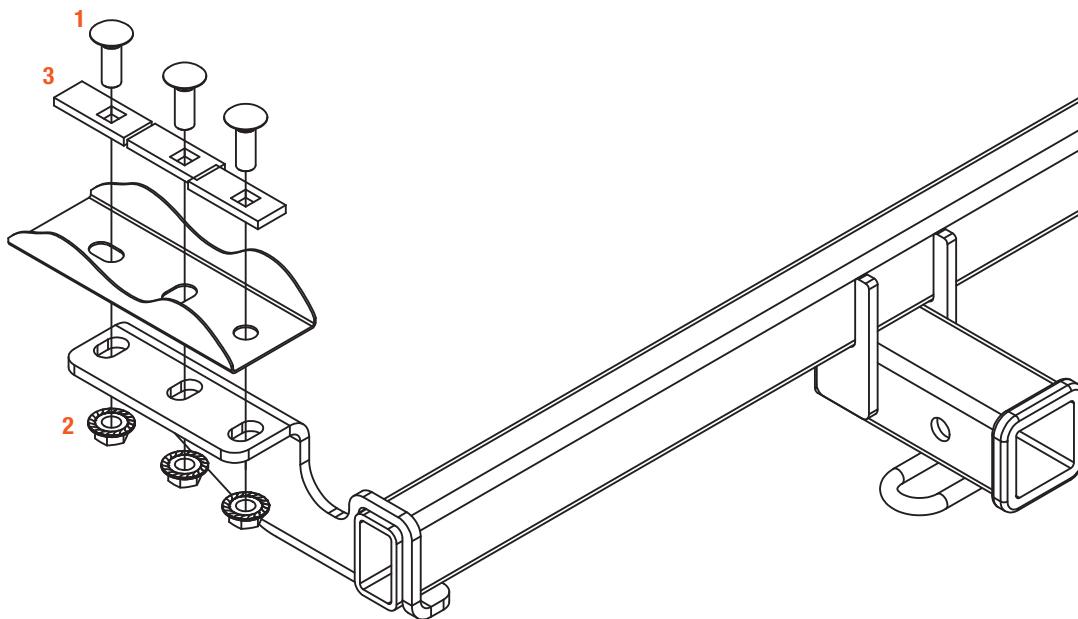
CURT stands behind our products with industry-leading warranties. To get copies of the product warranties, register your purchase or provide feedback, visit: warranty.curtgroup.com/surveys

ASSEMBLY

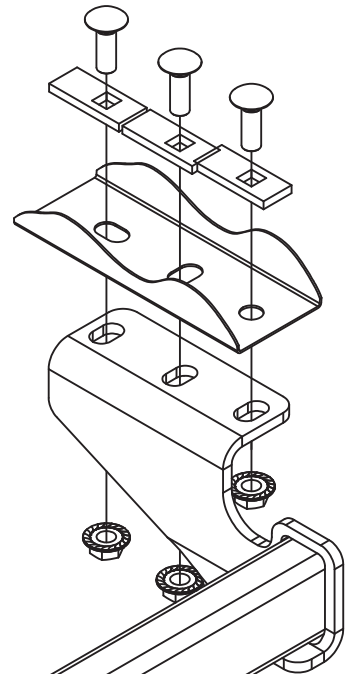
Parts List

Item	Qty	Description
1	6	Carriage bolt, 1/2"-13 x 1-1/2", grade 8
2	6	Serrated-flange nut, 1/2"-13
3	6	Spacer, 1/4" x 1" x 2-1/2"
4	6	Fishwire, 1/2"

Driver-side frame rail



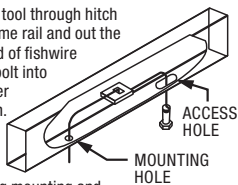
Passenger-side frame rail



FRONT
↔
REAR

FISHWIRE TECHNIQUE

Insert coiled end of fishwire tool through hitch mounting hole in vehicle frame rail and out the access hole. Pass coiled end of fishwire through spacer and thread bolt into coil. Kink wire to keep spacer separate from bolt as shown. Pull fishwire, spacer and bolt through frame and out mounting hole. Use fishwire to guide hitch during mounting and prevent loss of bolt or spacer inside frame rail.



TOWING BASICS & SAFETY INFORMATION

For information on safely towing your trailer, visit curtmfg.com/understanding-towing.

Step 1

Using a 7mm socket, remove the four screws from the bottom of the rear bumper fascia.



Step 2

Lower the exhaust by removing the rubber isolator from the middle of the vehicle and then temporarily remove rearward. Most exhaust hangers will require a 10mm socket to remove.

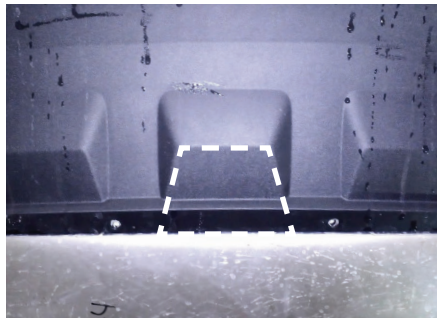
Note: Support exhaust to prevent damage.

Fishwire (#4) a 1/2" carriage bolt (#1) and spacer (#3) through the hole inside of the frame rail and out the holes in the bottom of the frame rail. Leave the fishwires attached.



Step 3

Trim the rear bumper cover using the trim diagram to the right as reference.



Step 4

Raise the trailer hitch into position, feeding the fishwires through the proper mounting holes in the hitch. Remove the fishwires and loosely secure the hitch with 1/2" serrated-flange nuts (#2).

Torque 1/2" hardware to 110 ft-lbs.

Reinstall the exhaust hangers and the four screws removed in Step 1.

