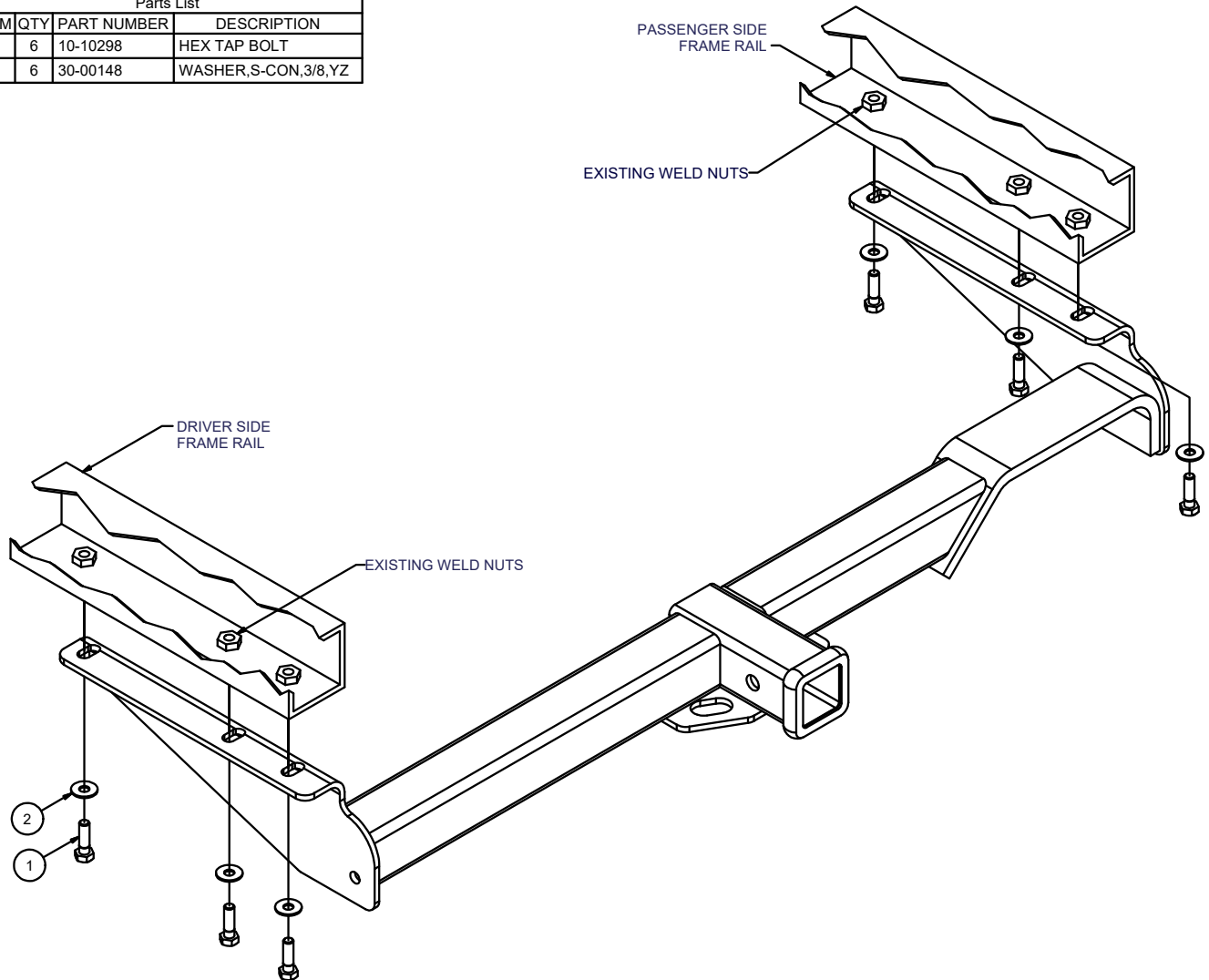


13429**99-03 LEXUS RX 300, 01-03 TOYOTA HIGHLANDER****6/30/2020****GROSS LOAD CAPACITY WHEN USED AS A WEIGHT CARRYING HITCH: 3,500 LBS. TRAILER WEIGHT & 350 LBS. TONGUE WEIGHT.*******DO NOT EXCEED VEHICLE MANUFACTURER'S RECOMMENDED TOWING CAPACITY.*****

Parts List			
ITEM	QTY	PART NUMBER	DESCRIPTION
1	6	10-10298	HEX TAP BOLT
2	6	30-00148	WASHER,S-CON,3/8,YZ



HITCH WEIGHT: 34 LBS.
 INSTALL TIME: 30 MINUTES
 INSTALL NOTES:
 - NO DRILLING REQUIRED

INSTALLATION STEPS

- 1) Under the rear of the vehicle, locate and remove the tie down brackets on both left and right frame rails. Return these to the customer. Remove the plastic caps in the forward threaded holes.
- 2) Raise the hitch into position under vehicle frames and over the exhaust.
- 3) Attach at three (3) 10mm threaded holes in each frame rail using the fasteners provided as shown.
- 4) Torque all M10 hardware to 48 lb.-ft.

PERIODICALLY CHECK THIS RECEIVER HITCH TO ENSURE THAT ALL FASTENERS ARE TIGHT AND THAT ALL STRUCTURAL COMPONENTS ARE SOUND.

Curt Manufacturing Inc., warrants this product to be free of defects in material and/or workmanship at the time of retail purchase by the original purchaser. If the product is found to be defective, Curt Manufacturing Inc., may repair or replace the product, at their option, when the product is returned, prepaid, with proof of purchase. Alteration to, misuse of, or improper installation of this product voids the warranty. Curt Manufacturing Inc.'s liability is limited to repair or replacement of products found to be defective, and specifically excludes liability for incidental or consequential loss or damage.