

13408

97-06 JEEP WRANGLER

6/4/2020

GROSS LOAD CAPACITY WHEN USED AS A WEIGHT CARRYING HITCH: 4,000 LBS. TRAILER WEIGHT & 400 LBS. TONGUE WEIGHT.

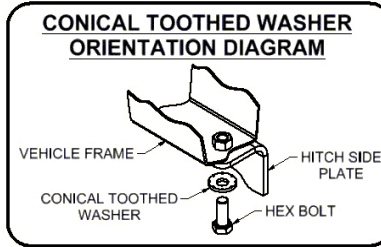
DO NOT EXCEED VEHICLE MANUFACTURER'S RECOMMENDED TOWING CAPACITY.

WARNING: ALL NON-TRAILER LOADS APPLIED TO THIS PRODUCT MUST BE SUPPORTED BY 18050 STABILIZING STRAPS.

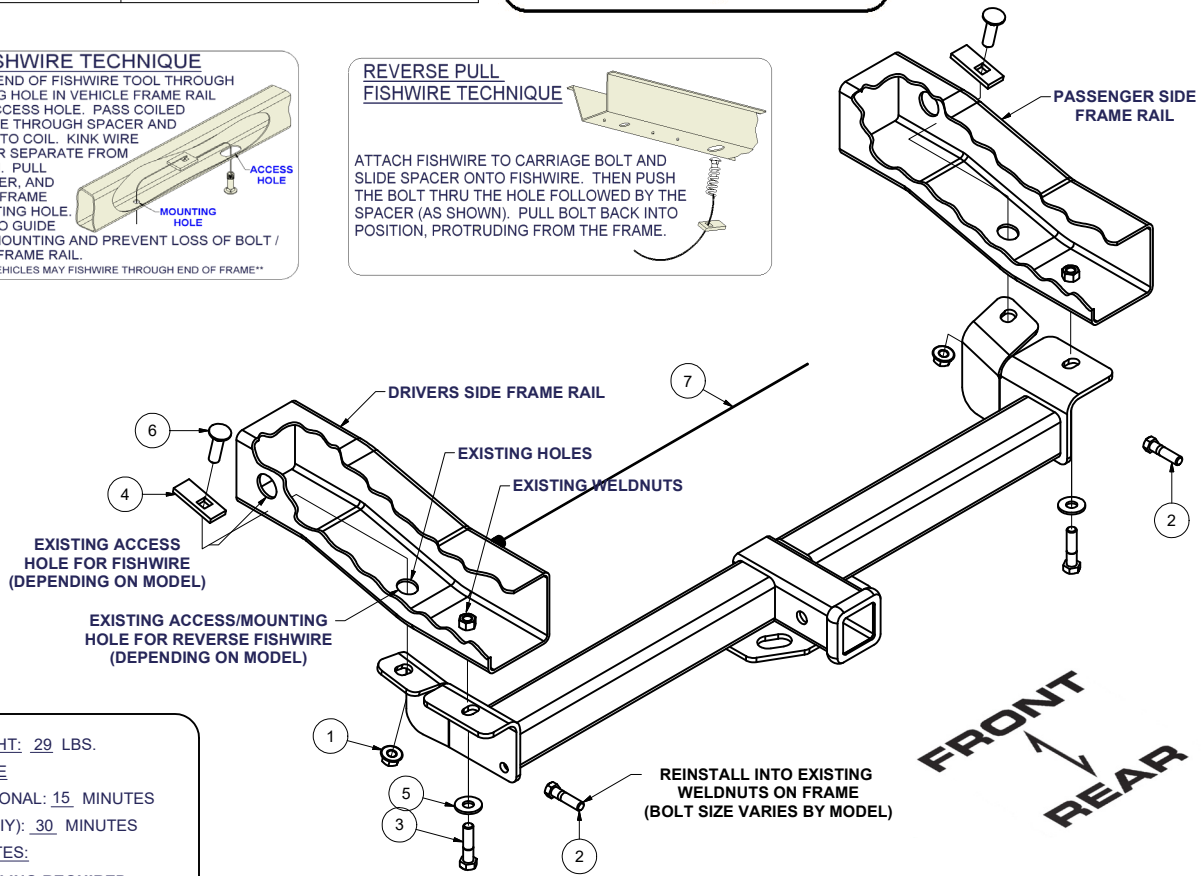
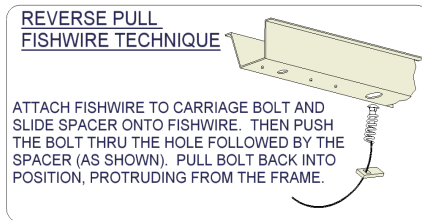
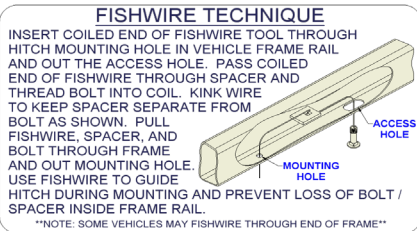
** FAILURE TO PROPERLY SUPPORT NON-TRAILER LOADS WILL VOID PRODUCT WARRANTY**

HAVING INSTALLATION QUESTIONS? CALL TECHNICAL SUPPORT AT 1-877-287-8634

Parts List			
ITEM	QTY	PART NUMBER	DESCRIPTION
1	2	20-00062	NUT, SER-FLANGE, 1/2-13 UNC, GRD8, YZ
2	2	10-10463	HHCS, 7/16-14 UNC, 1-3/4, GRD8, YZ
3	2	10-10458	HHCS, M12x1.75, 50, CL10.9
4	2	CM-SP10	.250 x 1.00 x 2.50" SQUARE HOLE SPACER
5	2	30-00149	WASHER, S-CON, 1/2, YZ
6	2	10-10272	BOLT, CAR, 1/2-13 UNC, 1-3/4, GRD8, YZ
7	1	1_2 FISHWIRE	1/2" FISHWIRE



TOOLS REQUIRED
RATCHET
TORQUE WRENCH
9" EXTENSION
SWIVEL SOCKET
18mm SOCKET
19mm SOCKET
5/8" SOCKET
3/4" SOCKET



HITCH WEIGHT: 29 LBS.
 INSTALL TIME
 PROFESSIONAL: 15 MINUTES
 NOVICE (DIY): 30 MINUTES
 INSTALL NOTES:
 - NO DRILLING REQUIRED

INSTALLATION STEPS

1. Remove existing bolt from rear most hole in the vehicle frame. **Note:** These bolts hold bumper in place.
2. Fishwire or reverse fishwire the 1/2" carriage bolts and spacers through access holes and out existing holes in bottom of frame. See Fishwire or Reverse Fishwire Technique. **Note:** Access hole locations vary by vehicle.
3. Install remaining fasteners into existing weldnuts, as shown. **Note:** Use of the 12mm or 7/16" bolts vary by vehicle.
4. Torque all 7/16" fasteners to 70 lb-ft.
 Torque all 1/2" fasteners to 110 lb-ft.
 Torque all 12mm fasteners to 79 lb-ft.

PERIODICALLY CHECK THIS RECEIVER HITCH TO ENSURE THAT ALL FASTENERS ARE TIGHT AND THAT ALL STRUCTURAL COMPONENTS ARE SOUND.

Curt Manufacturing LLC., warrants this product to be free of defects in material and/or workmanship at the time of retail purchase by the original purchaser. If the product is found to be defective, Curt Manufacturing LLC., may repair or replace the product, at their option, when the product is returned, prepaid, with proof of purchase. Alteration to, misuse of, or improper installation of this product voids the warranty. Curt Manufacturing LLC.'s liability is limited to repair or replacement of products found to be defective, and specifically excludes liability for incidental or consequential loss or damage.