

13379

# FORD TAURUS (SHO)

3/10/2020

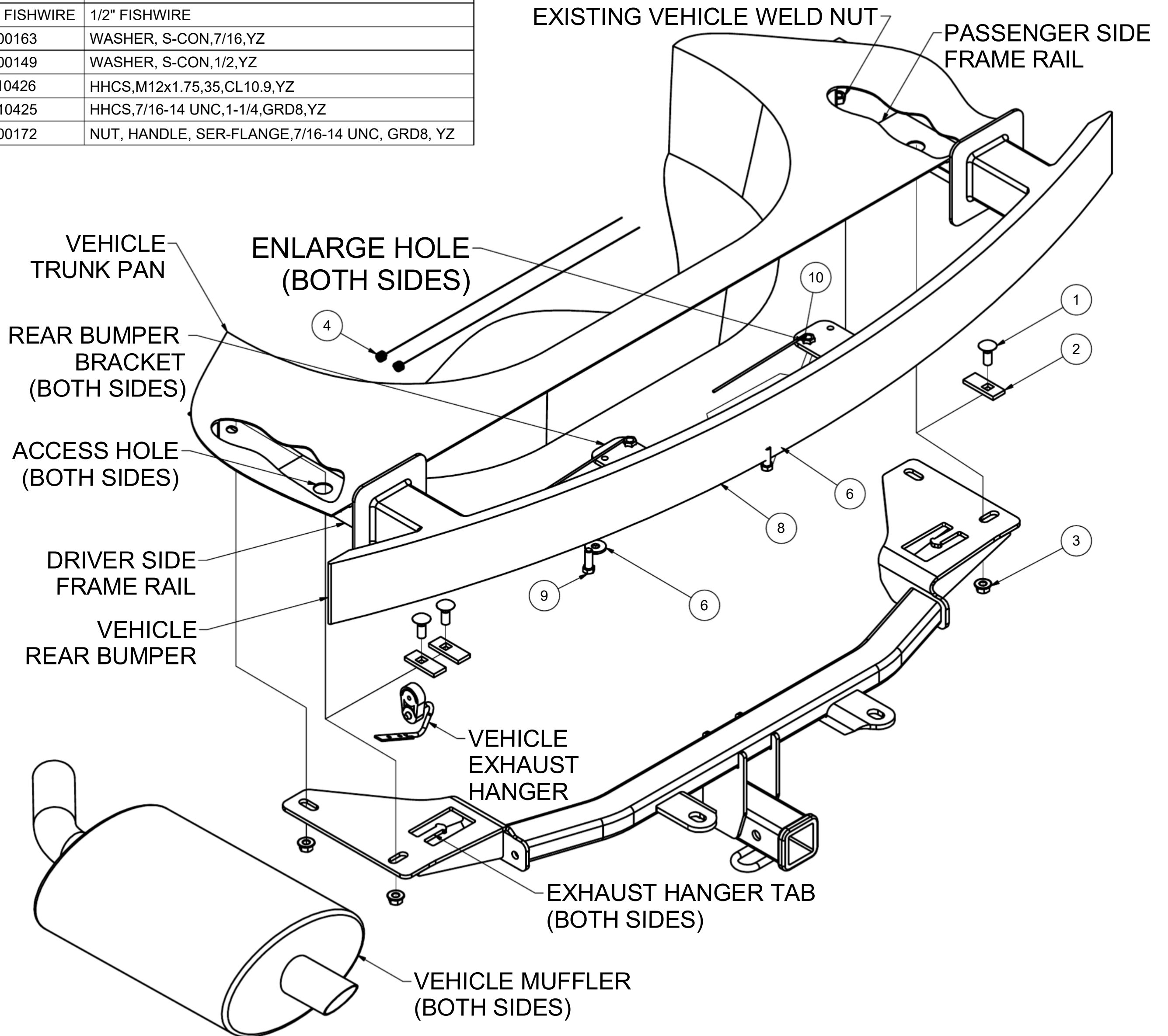
GROSS LOAD CAPACITY WHEN USED AS A WEIGHT CARRYING HITCH: 4,000 LBS. TRAILER WEIGHT & 400 LBS. TONGUE WEIGHT.



**WARNING: \*\*\* DO NOT EXCEED VEHICLE MANUFACTURER'S RECOMMENDED TOWING CAPACITY. \*\*\***  
 FOR MORE INFORMATION LOG ONTO [WWW.CURTMFG.COM](http://WWW.CURTMFG.COM) & FOR HELPFUL TOWING TIPS LOG ONTO [WWW.HITCHINFO.COM](http://WWW.HITCHINFO.COM)  
 HAVING INSTALLATION QUESTIONS? CALL TECHNICAL SUPPORT AT 1-877-287-8634



Parts List			
ITEM	QTY	PART NUMBER	DESCRIPTION
1	3	10-10278	BOLT,CAR,1/2-13 UNC,1-1/4,GRD8,YZ
2	3	CM-SP10	.250 x 1.00 x 2.50" SQUARE HOLE SPACER
3	3	20-00062	NUT, SER-FLANGE,1/2-13 UNC,GRD8,YZ
4	2	1_2 FISHWIRE	1/2" FISHWIRE
6	2	30-00163	WASHER, S-CON,7/16,YZ
7	1	30-00149	WASHER, S-CON,1/2,YZ
8	1	10-10426	HHCS,M12x1.75,35,CL10.9,YZ
9	2	10-10425	HHCS,7/16-14 UNC,1-1/4,GRD8,YZ
10	2	20-00172	NUT, HANDLE, SER-FLANGE,7/16-14 UNC, GRD8, YZ



HITCH WEIGHT: 33 LBS.

INSTALL TIME

PROFESSIONAL: 60 MINUTES

NOVICE (DIY): 30 MINUTES

INSTALL NOTES:

- FISHWIRE HARDWARE
- REVERSE FISHWIRE HARDWARE
- LOWER EXHAUST
- HOLE ENLARGEMENT

### TOOLS REQUIRED

RATCHET
TORQUE WRENCH
8" SOCKET EXTENSION
SOCKETS 10mm 18mm 19mm
PRY BAR
DIE GRINDER
LUBRICANT SPRAY
SAFETY GLASSES

FRONT  
 ↓  
 REAR



Scan for more information

**PERIODICALLY CHECK THIS RECEIVER HITCH TO ENSURE THAT ALL FASTENERS ARE TIGHT AND THAT ALL STRUCTURAL COMPONENTS ARE SOUND.**

CURT Manufacturing LLC., warrants this product to be free of defects in material and/or workmanship at the time of retail purchase by the original purchaser. If the product is found to be defective, CURT Manufacturing LLC., may repair or replace the product, at their option, when the product is returned, prepaid, with proof of purchase. Alteration to, misuse of, or improper installation of this product voids the warranty. CURT Manufacturing LLC.'s liability is limited to repair or replacement of products found to be defective, and specifically excludes liability for incidental or consequential loss or damage.

This product complies with safety specifications and requirements for connecting devices and towing systems of the state of New York, V.E.S.C.Regulation V-5 and SAE J684.



# 13379 INSTALLATION INSTRUCTIONS



Safety glasses should be worn at all times while installing this product.

YEARS: 2010-PRESENT

MAKE: FORD

MODEL: TAURUS (SHO)

STYLE: SEDAN

**WARNING: NEVER EXCEED YOUR VEHICLE MANUFACTURER'S RECOMMENDED TOWING CAPACITY**  
For more information log onto [www.curtmfg.com](http://www.curtmfg.com) & for helpful towing tips log onto [www.hitchinfo.com](http://www.hitchinfo.com)

**WEIGHT CARRYING:**  
TRAILER WEIGHT: 4,000 LBS.  
TONGUE WEIGHT: 400 LBS.

**WARNING:**  
WE RECOMMEND THE USE OF 18050 STABILIZING STRAPS FOR ALL NON-TRAILER (WHEEL-LESS) LOADS. PLEASE SEE THE CURT CATALOG OR VISIT US ONLINE AT [WWW.CURTMFG.COM](http://WWW.CURTMFG.COM) FOR FURTHER INFORMATION.

**PRO INSTALL TIME: 30 MIN.**  
**NOVICE INSTALL TIME: 60 MIN.**  
  
IF YOU ARE HESITANT TO UNDERTAKE THIS TASK ON YOUR OWN, CONTACT AN AUTHORIZED CURT INSTALLER FOR ADDITIONAL ASSISTANCE.

**INSTALLATION TIPS:**

1. BEFORE YOU BEGIN INSTALLATION, READ ALL INSTRUCTIONS THOROUGHLY.
2. TO EASE INSTALLATION, 2 PEOPLE MAY BE REQUIRED.
3. USING PROPER TOOLS WILL GREATLY IMPROVE THE QUALITY OF THE INSTALL AND REDUCE THE TIME REQUIRED.
4. NEED HELP OR HAVE SOME QUESTIONS? CALL TECHNICAL SUPPORT AT 877.287.8634

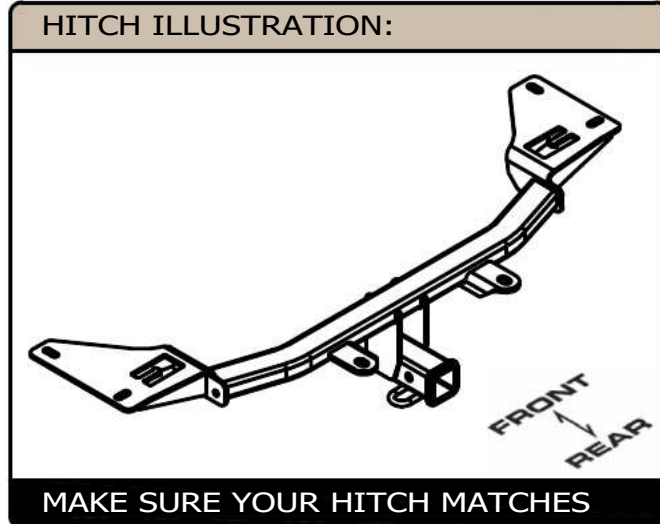


**INSTALLATION REQUIRES:**

 <b>SOCKETS</b>	 <b>SOCKET EXTENSION</b>	 <b>RATCHET</b>
 <b>TORQUE WRENCH</b>	 <b>PRY BAR</b>	 <b>DIE GRINDER</b>
 <b>SPRAY LUBRICANT</b>	 <b>SAFETY GLASSES</b>	

**LEVEL OF DIFFICULTY: MODERATE**

EASY	MODERATE	CHALLENGING
	FISHWIRE HARDWARE	
	REVERSE FISHWIRE HARDWARE	
	LOWER EXHAUST	
	HOLE ENLARGEMENT REQUIRED	



SCAN FOR MORE INFO

**PERIODICALLY CHECK THIS RECEIVER HITCH TO ENSURE ALL FASTENERS ARE TIGHT AND ALL STRUCTURAL COMPONENTS ARE SOUND**

CURT Manufacturing LLC. warrants this product to be free of defects in material and/or workmanship at the time of retail purchase by the original purchaser. If the product is found to be defective, CURT Manufacturing LLC. may repair or replace the product at their option, when the product is returned, prepaid, with proof of purchase. Alteration to, misuse of, or improper installation of this product voids the warranty. CURT Manufacturing LLC.'s liability is limited to repair or replacement of products found to be defective, and specifically excludes liability for incidental or consequential loss or damage.

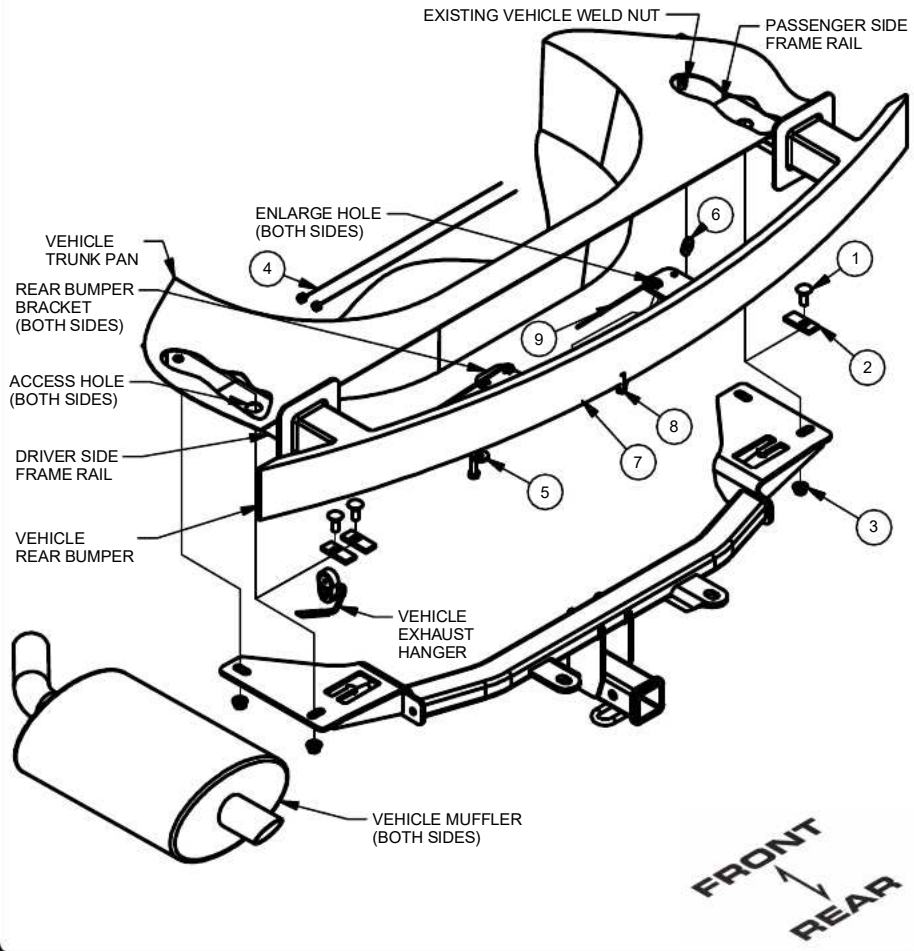
For more information log onto [www.curtmfg.com](http://www.curtmfg.com), & for helpful towing tips log onto [www.hitchinfo.com](http://www.hitchinfo.com)

This product complies with safety specifications and requirements for connecting devices and towing systems of the state of New York, V.E.S.C.Regulation V-5 and SAE J684.



# INSTALLATION WALKTHROUGH:

Parts List			
ITEM	QTY	PART NUMBER	DESCRIPTION
1	3	10-10278	BOLT, CAR, 1/2-13 UNC, 1-1/4, GRD8, YZ
2	3	CM-SP10	.250 x 1.00 x 2.50" SQUARE HOLE SPACER
3	3	20-00062	NUT, SER-FLANGE, 1/2-13 UNC, GRD8, YZ
4	2	1_2 FISHWIRE	1/2" FISHWIRE
5	2	30-00163	WASHER, S-CON, 7/16, YZ
6	1	30-00149	WASHER, S-CON, 1/2, YZ
7	1	10-10426	HHCS, M12x1.75, 35, CL10.9, YZ
8	2	10-10425	HHCS, 7/16-14 UNC, 1-1/4, GRD8, YZ
9	2	20-00172	NUT, HANDLE, SER-FLANGE, 7/16-14 UNC, GRD8, YZ



1. Lower exhaust by removing (2) exhaust hanger brackets from rubber (1) isolator on each frame rail.  
 (As shown in rubber isolator removal diagram)  
**NOTE:** Removing exhaust hanger near exhaust split may ease installation.



**RUBBER ISOLATOR REMOVAL DIAGRAM**

This technique can be used if and Exhaust Hanger Removal Pliers is not available.

Using a 5/8" open end wrench, slide the wrench up to the rubber isolator, cradling the hanger rod as shown. Next place the flat edge of a pry bar between the wrench and the hanger stop or hanger rod. Then simply rotate the pry bar toward the wrench to remove the rubber isolator.

Note: Using a spray lubricant or soapy water on the hanger rod and the rubber isolator helps removal.

2. Remove (2) bolts securing exhaust isolator bracket from driver side frame rail using 10mm socket.

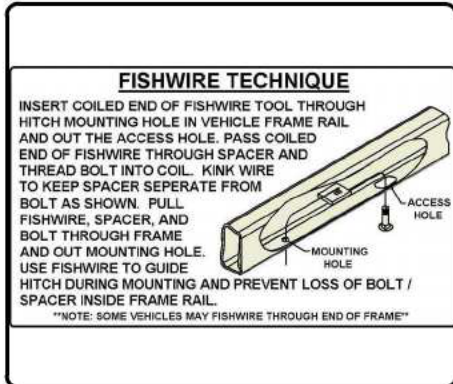


## INSTALLATION WALKTHROUGH:

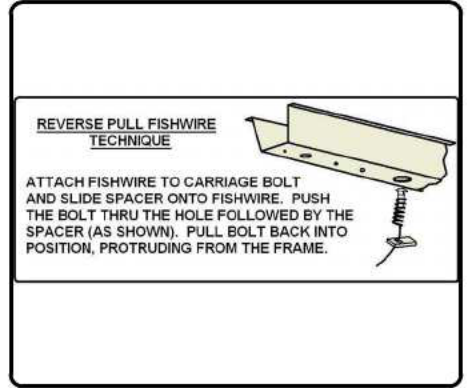
3. Remove (2) bolts securing exhaust isolator bracket from passenger side frame rail using 18mm socket. Return brackets and hardware to owner.



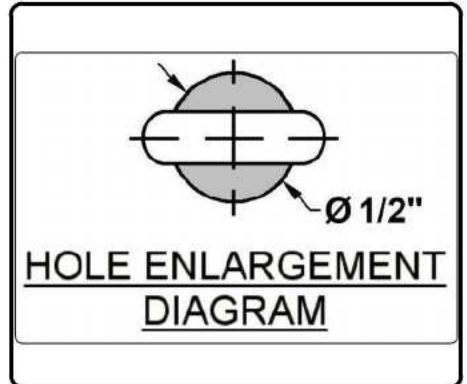
4. Located on driver side frame rail, fishwire (1) CM-SP10 spacer and (1) 1/2" carriage bolt through access hole and out mounting hole. (As shown in Fishwire Technique Diagram)



5. Reverse fishwire (1) CM-SP10 spacer and (1) 1/2" carriage bolt through and out access hole on each frame rail. (As shown in Reverse Fishwire Technique Diagram)



6. Enlarge (2) holes located on rear bumper bracket using a die grinder. (As shown in Hole Enlargement Diagram)





## INSTALLATION WALKTHROUGH:

7. Raise hitch into position and secure using (3) 1/2" hex flange nuts and (1) M12 hex bolt with (1) conical tooth washer.



8. Located on rear bumper bracket insert 7/16" handle nut through opening, hand tighten 7/16" hex bolt through enlarged hole with conical tooth washer.  
**NOTE:** Enlarging opening may ease installation.



9. Torque 1/2" hardware to 110 ft-lbs, torque M12 hardware to 79 ft-lbs and 7/16" hardware to 59 ft-lbs



10. Install rubber isolators removed in Step 1 onto muffler hangers in side plates on each side. Raise exhaust into position and reinstall muffler hangers in rubber isolators.

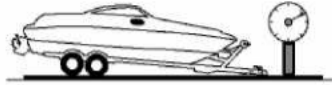
Installation Complete



## TOWING SAFETY INFORMATION

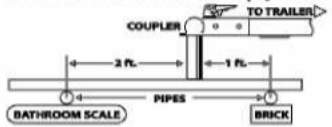
### Gross Trailer Weight / GTW

The Gross Trailer Weight is the weight of the trailer & cargo. Measure this by putting the fully loaded trailer on a vehicle scale.



### Tongue Weight / TW

The downward force that is exerted on the hitch ball by the coupler. The tongue weight will vary depending on where the load is positioned in relationship to the trailer axle(s). To measure the tongue weight, use either a commercial scale or a bathroom scale with the coupler at towing height. When using a bathroom scale with heavier tongue weights, use the method shown and multiply the scale reading by 3.



### Weight Carrying / WC

The total weight of both the trailer and the cargo inside. Never exceed the weight capacity of your trailer hitch.

### Weight Distribution / WD

Used to balance the weight of the cargo between the front and rear wheels throughout the trailer, allowing for better steering, braking, and level riding.



### Sway Control

A device used to reduce the lateral movements of the trailer that are caused by the wind. This works in conjunction with a weight distribution hitch. Do not use this on a class 1 or 2 hitch, or with surge brakes.

### How Much Can You Safely Tow?

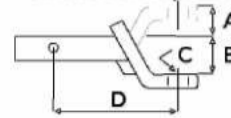
TONGUE WEIGHT (lb)	3000	2000	3000	4000	5000	6000	7000	8000	10,000	12,000
Tongue weight should be about 10 to 15 percent of the gross trailer weight.										
CLASS 5										
CLASS 2										
CLASS 3										
CLASS 4										
CLASS 5										
TRAILER TYPE										
Camper	11	12	13	14	15	16				
lbs.	1100	1200	1300	1400	1500	1600				
Vacation	18	19	20	21	22	23	24	25	26	27
lbs.	2100	2400	2700	3000	3300	3600	3900	4200	4500	4800
Vacation	18	19	20	21	22	23	24	25	26	27
lbs.	2800	3200	3600	4000	4400	4800	5200	5600	6000	6400
5th Wheel										

Refer to owner's manual for towing capabilities and limitations.

### Ball Mount

The ball mount is placed inside the opening of the receiver hitch which is mounted to the vehicle. Make sure a hitch pin and clip is properly securing the ball mount to the receiver hitch before you begin towing.

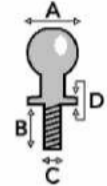
- A: Rise. B: Drop. C: Hole Size. D: Length.



### Trailer Ball

The connection from the hitch to the trailer. There are many factors that determine the correct hitch ball:

- Number one is the hitch ball's gross trailer weight rating.
- The mounting platform must be at least 3/8" thick.
- The hole diameter must not be more than 1/16" larger than the threaded shank.
- Every time you tow, check the nut and lock washer to make sure they are fastened securely.
- A: Ball Dia. B: Shank Length. C: Shank Dia. D: Shank Rise.



### Coupler

The component that is placed over the trailer ball to connect the vehicle to the trailer. Be sure that the coupler size matches the size of the hitch ball and that the coupler handle is securely fastened. To determine what size hitch ball you need for your application you will need to know the size of coupler that is on the trailer. Be sure your coupler is properly adjusted to the ball you are using.

NOTE: For added security the use of safety devices such as Coupler Safety Pins and Locks is strongly recommended.

### Safety Chains

Safety chains are a requirement and should be crossed under the tongue of the trailer so that the tongue will not drop to the road if it becomes separated from the hitch. Always leave enough slack so you can turn. Never allow the safety chains to drag on the ground and never attach the chains to the bumper.

Trailer Classification: Safety Chain Breaking Force - Minimum

Class 1: 2,000 lbs. (8.9 kN)

Class 2: 3,500 lbs. (15.6 kN)

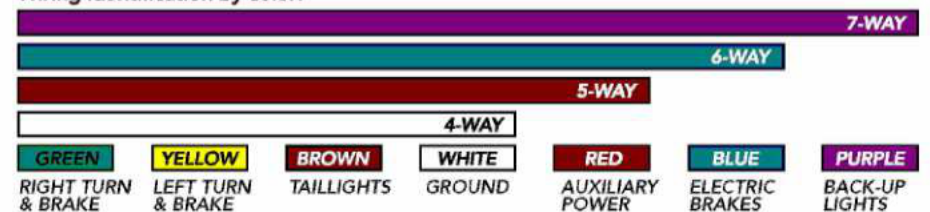
Class 3: 5,000 lbs. (22.2 kN)

The strength rating of each length of safety chain or its equivalent and its attachments shall be equal to or exceed in minimum breaking force the GVWR (Gross Vehicle Weight Rating) of the trailer.

### Electrical

Trailer lights, Electric Brakes, Break-away systems - Every time you tow, be sure to check that all components are working properly.

Wiring identification by color:



CURT DISCLAIMER: WIRING COLOR SHOWN WORK IN CONJUNCTION WITH CURT MANUFACTURING PRODUCTS.