

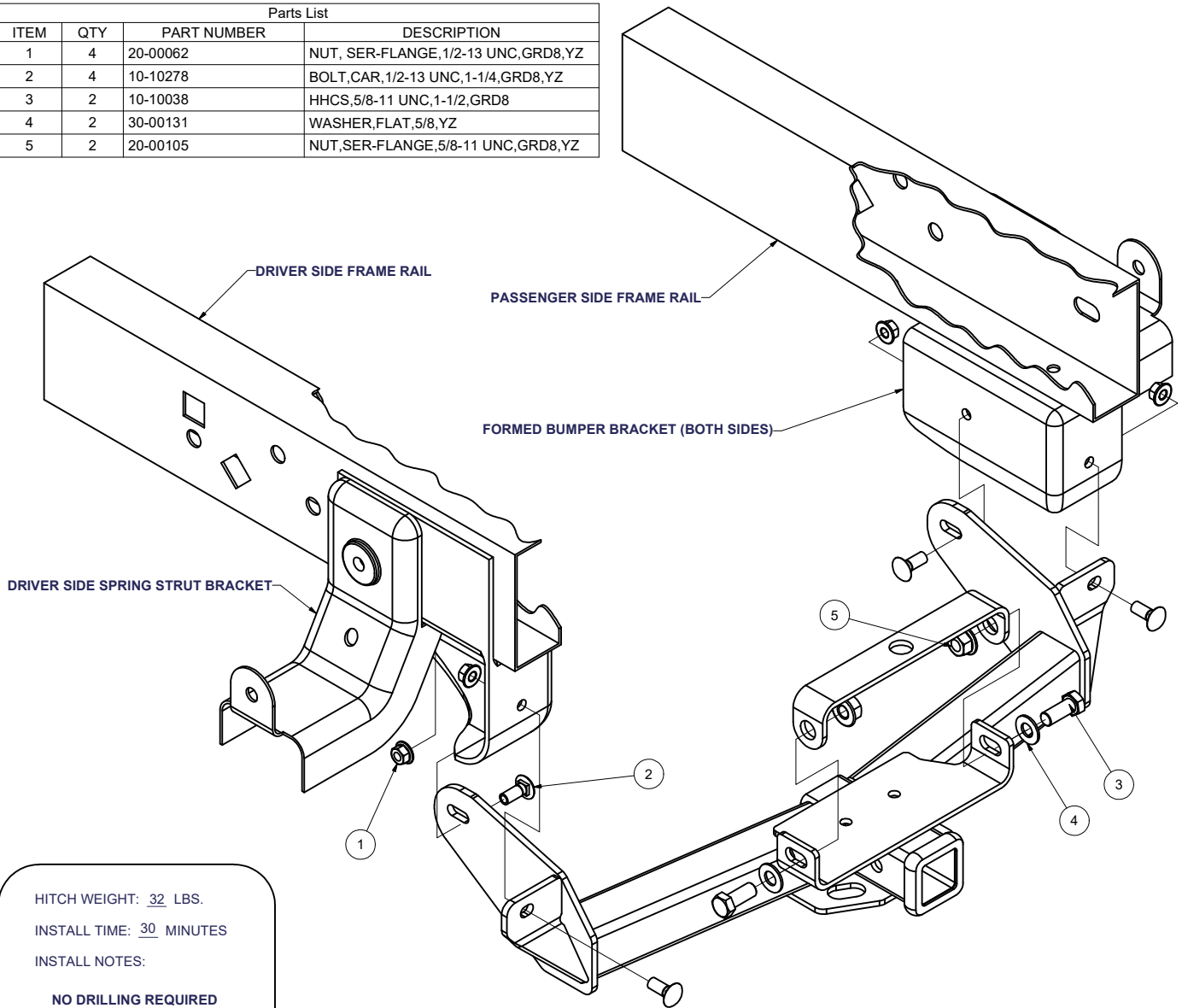
13360 / RRH13360

FORD F-150 (BUILT AFTER 8/5/2005)

7/9/2020

GROSS LOAD CAPACITY WHEN USED AS A WEIGHT CARRYING HITCH: 6,000 LBS. TRAILER WEIGHT & 600 LBS. TONGUE WEIGHT.
GROSS LOAD CAPACITY WHEN USED AS A WEIGHT DISTRIBUTION HITCH: 10,000 LBS. TRAILER WEIGHT & 1,000 LBS. TONGUE WEIGHT
*****DO NOT EXCEED VEHICLE MANUFACTURER'S RECOMMENDED TOWING CAPACITY.*****

Parts List			
ITEM	QTY	PART NUMBER	DESCRIPTION
1	4	20-00062	NUT, SER-FLANGE, 1/2-13 UNC, GRD8, YZ
2	4	10-10278	BOLT, CAR, 1/2-13 UNC, 1-1/4, GRD8, YZ
3	2	10-10038	HHCS, 5/8-11 UNC, 1-1/2, GRD8
4	2	30-00131	WASHER, FLAT, 5/8, YZ
5	2	20-00105	NUT, SER-FLANGE, 5/8-11 UNC, GRD8, YZ



HITCH WEIGHT: 32 LBS.
INSTALL TIME: 30 MINUTES
INSTALL NOTES:
NO DRILLING REQUIRED

INSTALLATION STEPS

NOTE: If necessary, loosen (4) bumper bolts for improved hitch alignment.

- 1) Raise hitch into position between frame rails.
- 2) Install 5/8" fasteners into bumper with loops as shown.
- 3) Install remaining 1/2" fasteners as shown into each bumper bracket.
- 4) Torque all 5/8" fasteners to 210 lb-ft and all 1/2" fasteners to 110 lb-ft.

PERIODICALLY CHECK THIS RECEIVER HITCH TO ENSURE THAT ALL FASTENERS ARE TIGHT AND THAT ALL STRUCTURAL COMPONENTS ARE SOUND.

Curt Manufacturing Inc., warrants this product to be free of defects in material and/or workmanship at the time of retail purchase by the original purchaser. If the product is found to be defective, Curt Manufacturing Inc., may repair or replace the product, at their option, when the product is returned, prepaid, with proof of purchase. Alteration to, misuse of, or improper installation of this product voids the warranty. Curt Manufacturing Inc.'s liability is limited to repair or replacement of products found to be defective, and specifically excludes liability for incidental or consequential loss or damage.