

13235

98-02 HONDA PASSPORT W/ DOOR MOUNTED SPARE TIRE
98-00 ISUZU AMIGO89-94 ISUZU AMIGO (WILL NOT FIT 2.3L)
98-04 ISUZU RODEO W/ DOOR MOUNTED SPARE

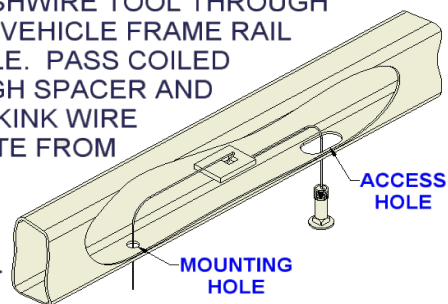
11/18/2020

GROSS LOAD CAPACITY WHEN USED AS A WEIGHT CARRYING HITCH: 4,000 LBS. TRAILER WEIGHT & 400 LBS. TONGUE WEIGHT.
GROSS LOAD CAPACITY WHEN USED AS A WEIGHT DISTRIBUTION HITCH: 6,000 LBS. TRAILER WEIGHT & 600 LBS. TONGUE WEIGHT*****DO NOT EXCEED VEHICLE MANUFACTURER'S RECOMMENDED TOWING CAPACITY.*****

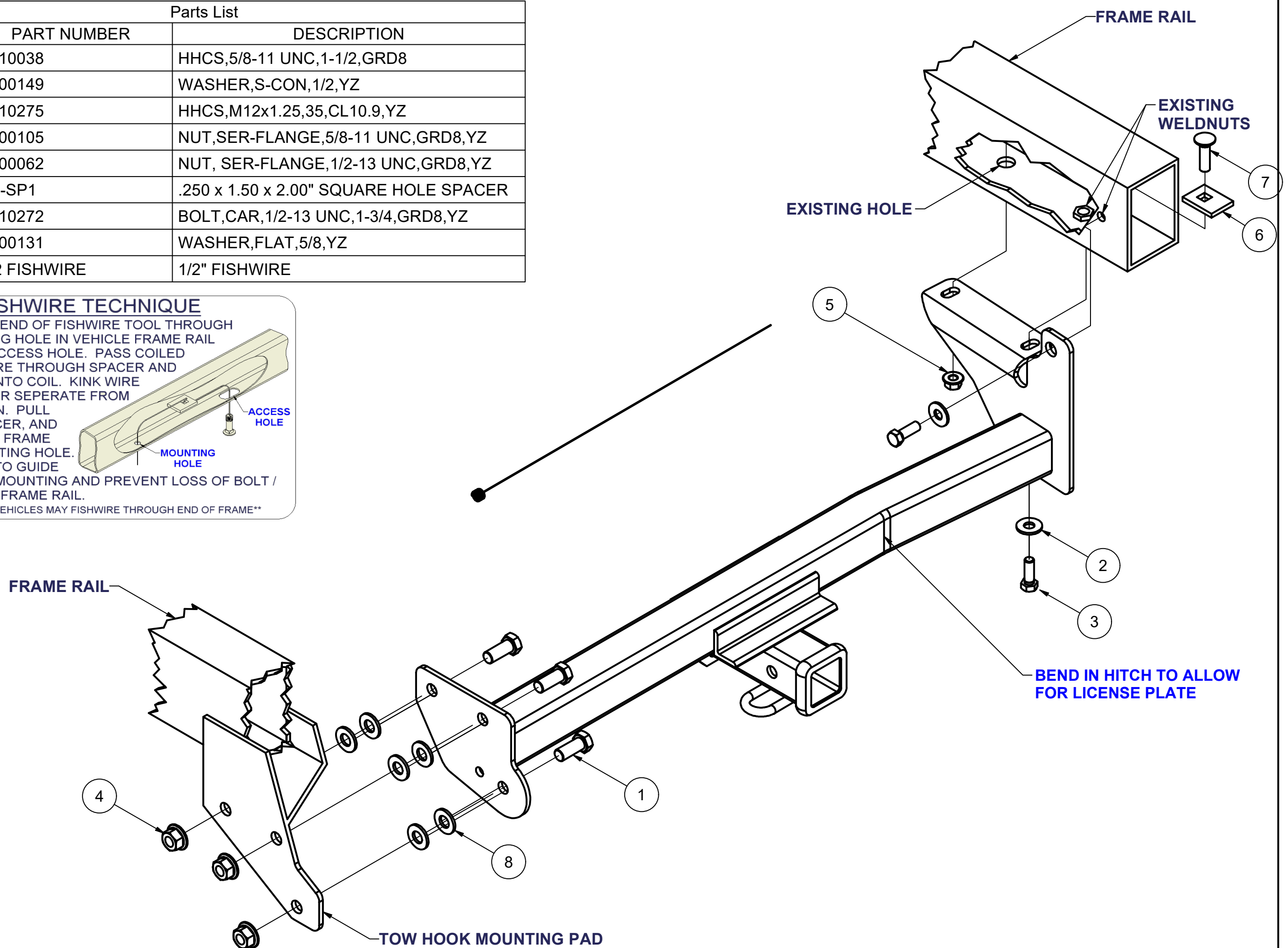
Parts List			
ITEM	QTY	PART NUMBER	DESCRIPTION
1	3	10-10038	HHCS,5/8-11 UNC,1-1/2,GRD8
2	2	30-00149	WASHER,S-CON,1/2,YZ
3	2	10-10275	HHCS,M12x1.25,35,CL10.9,YZ
4	3	20-00105	NUT,SER-FLANGE,5/8-11 UNC,GRD8,YZ
5	1	20-00062	NUT,SER-FLANGE,1/2-13 UNC,GRD8,YZ
6	1	CM-SP1	.250 x 1.50 x 2.00" SQUARE HOLE SPACER
7	1	10-10272	BOLT,CAR,1/2-13 UNC,1-3/4,GRD8,YZ
8	6	30-00131	WASHER,FLAT,5/8,YZ
9	1	1_2 FISHWIRE	1/2" FISHWIRE

FISHWIRE TECHNIQUE

INSERT COILED END OF FISHWIRE TOOL THROUGH HITCH MOUNTING HOLE IN VEHICLE FRAME RAIL AND OUT THE ACCESS HOLE. PASS COILED END OF FISHWIRE THROUGH SPACER AND THREAD BOLT INTO COIL. KINK WIRE TO KEEP SPACER SEPERATE FROM BOLT AS SHOWN. PULL FISHWIRE, SPACER, AND BOLT THROUGH FRAME AND OUT MOUNTING HOLE. USE FISHWIRE TO GUIDE HITCH DURING MOUNTING AND PREVENT LOSS OF BOLT / SPACER INSIDE FRAME RAIL.



NOTE: SOME VEHICLES MAY FISHWIRE THROUGH END OF FRAME



HITCH WEIGHT: 40 LBS.
INSTALL TIME: 34 MINUTES
INSTALL NOTES:
- NO DRILLING REQUIRED
- FISHWIRE HARDWARE

INSTALLATION STEPS

- 1) Position hitch on the vehicle as shown, align holes in hitch with existing weldnuts in vehicle frame (passenger side) and slots in tow hook mounting pad (driver side). Loosely install hex bolts as shown.
- 2) Fishwire carriage bolt and spacer through end of frame on passenger side and install as shown.
- 3) Tighten fasteners on the driver side and fastener on side of frame on passenger side first. Tighten fasteners on bottom of frame on passenger side last.
- 4) Use (2) 5/8" flat washers for spacing between the hitch and tow hook mounting pad on the driver side.
- 5) Torque M12 fasteners to 86 lb-ft, 1/2" fasteners to 110 lb-ft, and 5/8" fasteners to 180 lb-ft.

PERIODICALLY CHECK THIS RECEIVER HITCH TO ENSURE THAT ALL FASTENERS ARE TIGHT AND THAT ALL STRUCTURAL COMPONENTS ARE SOUND.

Curt Manufacturing Inc., warrants this product to be free of defects in material and/or workmanship at the time of retail purchase by the original purchaser. If the product is found to be defective, Curt Manufacturing Inc., may repair or replace the product, at their option, when the product is returned, prepaid, with proof of purchase. Alteration to, misuse of, or improper installation of this product voids the warranty. Curt Manufacturing Inc.'s liability is limited to repair or replacement of products found to be defective, and specifically excludes liability for incidental or consequential loss or damage.