

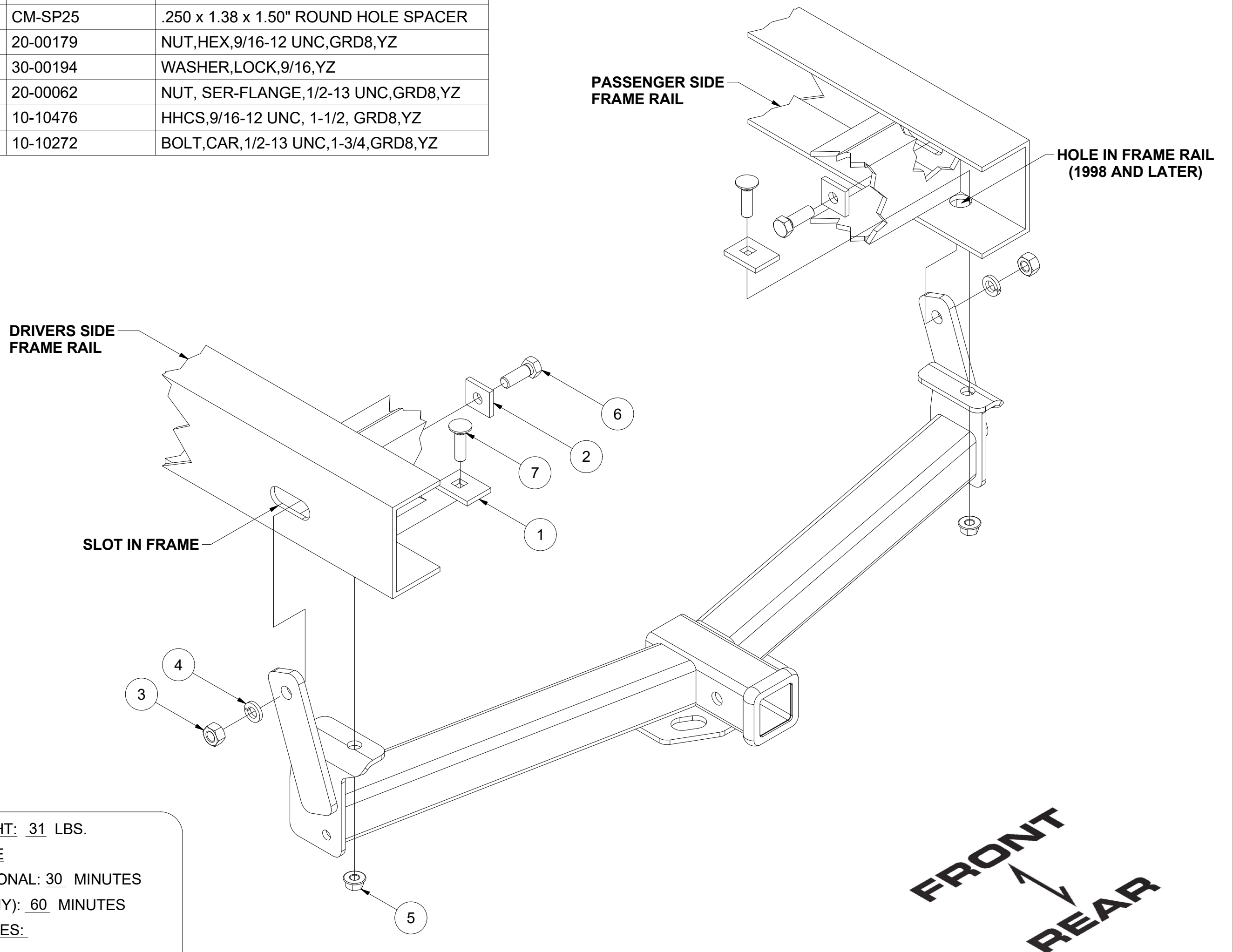
**13033****1991-2001 FORD EXPLORER 4 DR, 1991-2003 FORD EXPLORER SPORT 2 DR  
1991-1994 MAZDA NAVAJO SUV, 1996-2001 MERCURY MOUNTAINEER**

WILL NOT FIT WITH FULL SIZE SPARE TIRE

6/22/2020

**GROSS LOAD CAPACITY WHEN USED AS A WEIGHT CARRYING HITCH: 5,000 LBS. TRAILER WEIGHT & 500 LBS. TONGUE WEIGHT.  
GROSS LOAD CAPACITY WHEN USED AS A WEIGHT DISTRIBUTION HITCH: 6,000 LBS. TRAILER WEIGHT & 600 LBS. TONGUE WEIGHT****\*\*\*DO NOT EXCEED VEHICLE MANUFACTURER'S RECOMMENDED TOWING CAPACITY.\*\*\*****HAVING INSTALLATION QUESTIONS? CALL TECHNICAL SUPPORT AT 877-287-8634**

Parts List			
ITEM	QTY	PART NUMBER	DESCRIPTION
1	2	CM-SP1	.250 x 1.50 x 2.00" SQUARE HOLE SPACER
2	2	CM-SP25	.250 x 1.38 x 1.50" ROUND HOLE SPACER
3	2	20-00179	NUT,HEX,9/16-12 UNC,GRD8,YZ
4	2	30-00194	WASHER,LOCK,9/16,YZ
5	2	20-00062	NUT, SER-FLANGE,1/2-13 UNC,GRD8,YZ
6	2	10-10476	HHCS,9/16-12 UNC, 1-1/2, GRD8,YZ
7	2	10-10272	BOLT,CAR,1/2-13 UNC,1-3/4,GRD8,YZ



HITCH WEIGHT: 31 LBS.

INSTALL TIME

PROFESSIONAL: 30 MINUTES

NOVICE (DIY): 60 MINUTES

INSTALL NOTES:

**- DRILLING REQUIRED ON 1994  
AND PRIOR MODELS****INSTALLATION STEPS**

1) Raise receiver into position under vehicle, placing upright bars against outboard verticle surface of frame. Align hole in the upright bar with the existing slot in the frame - both sides.

2) Loosely install fasteners through the slot in the frame and upright bar as shown.

**1994 and Prior Models:**

3) Using the hole in the hitch bracket as a template, drill 1/2" hole through the frame rail.

4) Install hitch-frame fasteners as shown.

**1995 & Later Models:**

5) Install hitch-frame fasteners as shown.

6) Torque all 9/16" fasteners to 150 lb.-ft. and all 1/2" fasteners to 110 lb.-ft.

**PERIODICALLY CHECK THIS RECEIVER HITCH TO ENSURE THAT ALL FASTENERS  
ARE TIGHT AND THAT ALL STRUCTURAL COMPONENTS ARE SOUND.**

Curt Manufacturing Inc., warrants this product to be free of defects in material and/or workmanship at the time of retail purchase by the original purchaser. If the product is found to be defective, Curt Manufacturing Inc., may repair or replace the product, at their option, when the product is returned, prepaid, with proof of purchase. Alteration to, misuse of, or improper installation of this product voids the warranty. Curt Manufacturing Inc.'s liability is limited to repair or replacement of products found to be defective, and specifically excludes liability for incidental or consequential loss or damage.

757230