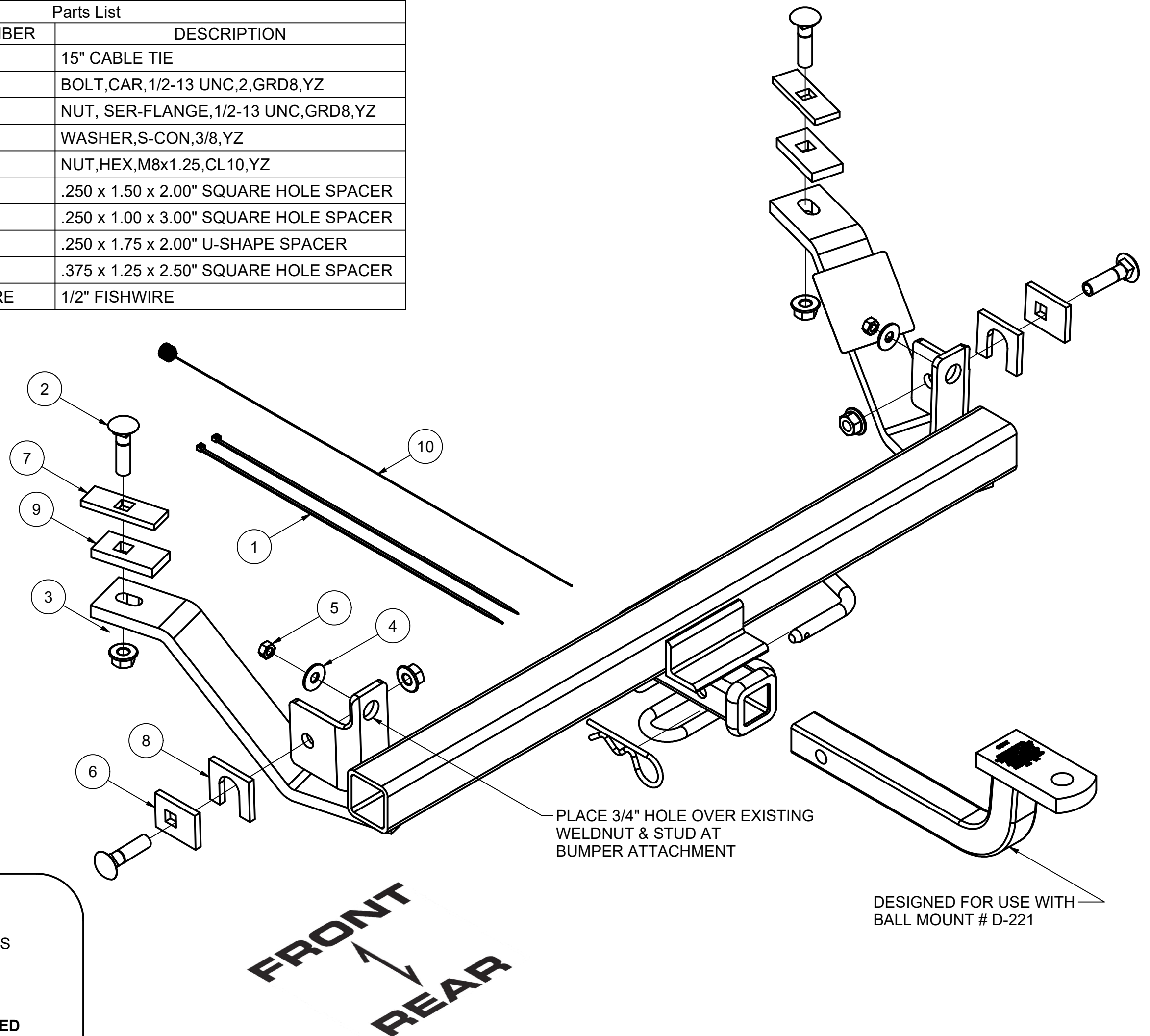


12053**89-97 FORD THUNDER BIRD 89-97 MERCURY COUGAR
93-98 LINCOLN MARK VIII**

11/25/2020

**GROSS LOAD CAPACITY WHEN USED AS A WEIGHT CARRYING HITCH: 3,500 LBS. TRAILER WEIGHT & 350 LBS. TONGUE WEIGHT.
DO NOT EXCEED VEHICLE MANUFACTURER'S RECOMMENDED TOWING CAPACITY.**

Parts List			
ITEM	QTY	PART NUMBER	DESCRIPTION
1	2	CM-HCT-15	15" CABLE TIE
2	4	10-10288	BOLT,CAR,1/2-13 UNC,2,GRD8,YZ
3	4	20-00062	NUT, SER-FLANGE,1/2-13 UNC,GRD8,YZ
4	2	30-00148	WASHER,S-CON,3/8,YZ
5	2	20-00178	NUT,HEX,M8x1.25,CL10,YZ
6	2	CM-SP1	.250 x 1.50 x 2.00" SQUARE HOLE SPACER
7	2	CM-SP6	.250 x 1.00 x 3.00" SQUARE HOLE SPACER
8	2	CM-SP31	.250 x 1.75 x 2.00" U-SHAPE SPACER
9	2	CM-SP43	.375 x 1.25 x 2.50" SQUARE HOLE SPACER
10	1	1_2 FISHWIRE	1/2" FISHWIRE

HITCH WEIGHT: 35 LBS.INSTALL TIME: 30 MINUTES

INSTALL NOTES:

NO DRILLING REQUIRED**INSTALLATION STEPS**

On Lincoln Mark VIII only: Remove exhaust hanger bracket bolts at both ends of vehicle frame. Remove the "J" nut from the vehicle frame. Disconnect the fuel line vent hose bracket from vehicle bumper.

- 1) Raise the hitch assembly into position under the vehicle so that the larger 3/4" diameter hole in the hitch side plates are placed over the weldnut and stud at the bumper attachment point.
- 2) Place the "U" shaped spacer (#8) and 1/4" spacer (#6) against the outer surface of each vehicle tie down bracket. Bolt hitch in place with tab on hitch assembly. Be sure that the "U" shaped spacer is positioned over the slot in the tie down bracket correctly, before tightening the attachment bolt.
- 3) Position the square hole spacer (#7) and a 1/2" carriage bolt on a fishwire. Carefully position these parts into the boxed frame rails using the access holes in the side of the frame, forward of the hitch attachment hole. **(Note: Some applications may require that the access hole be enlarged slightly to accept the hardware. Carriage bolt should be dropped down through the vehicle frame and hitch frame bracket.)**
- 4) On Thunderbird and Cougar applications, place a 3/8" conical tooth washer (#4) between the hitch bracket and vehicle frame at the forward attachment point on each side.
- 5) On the Lincoln Mark VIII application, reinstall the exhaust hanger bracket under the hitch frame brackets with a flange nut. Secure the fuel line vent hose to hitch with cable ties supplied.
- 6) Tighten the 1/2" bolts to 110 lb.-ft. Torque and the 8mm hex nuts to 23 lb.-ft. Failure to tighten bolts as described may result in fastener loss or failure.

**PERIODICALLY CHECK THIS RECEIVER HITCH TO ENSURE THAT ALL FASTENERS
ARE TIGHT AND THAT ALL STRUCTURAL COMPONENTS ARE SOUND.**

Curt Manufacturing Inc., warrants this product to be free of defects in material and/or workmanship at the time of retail purchase by the original purchaser. If the product is found to be defective, Curt Manufacturing Inc., may repair or replace the product, at their option, when the product is returned, prepaid, with proof of purchase. Alteration to, misuse of, or improper installation of this product voids the warranty. Curt Manufacturing Inc.'s liability is limited to repair or replacement of products found to be defective, and specifically excludes liability for incidental or consequential loss or damage.