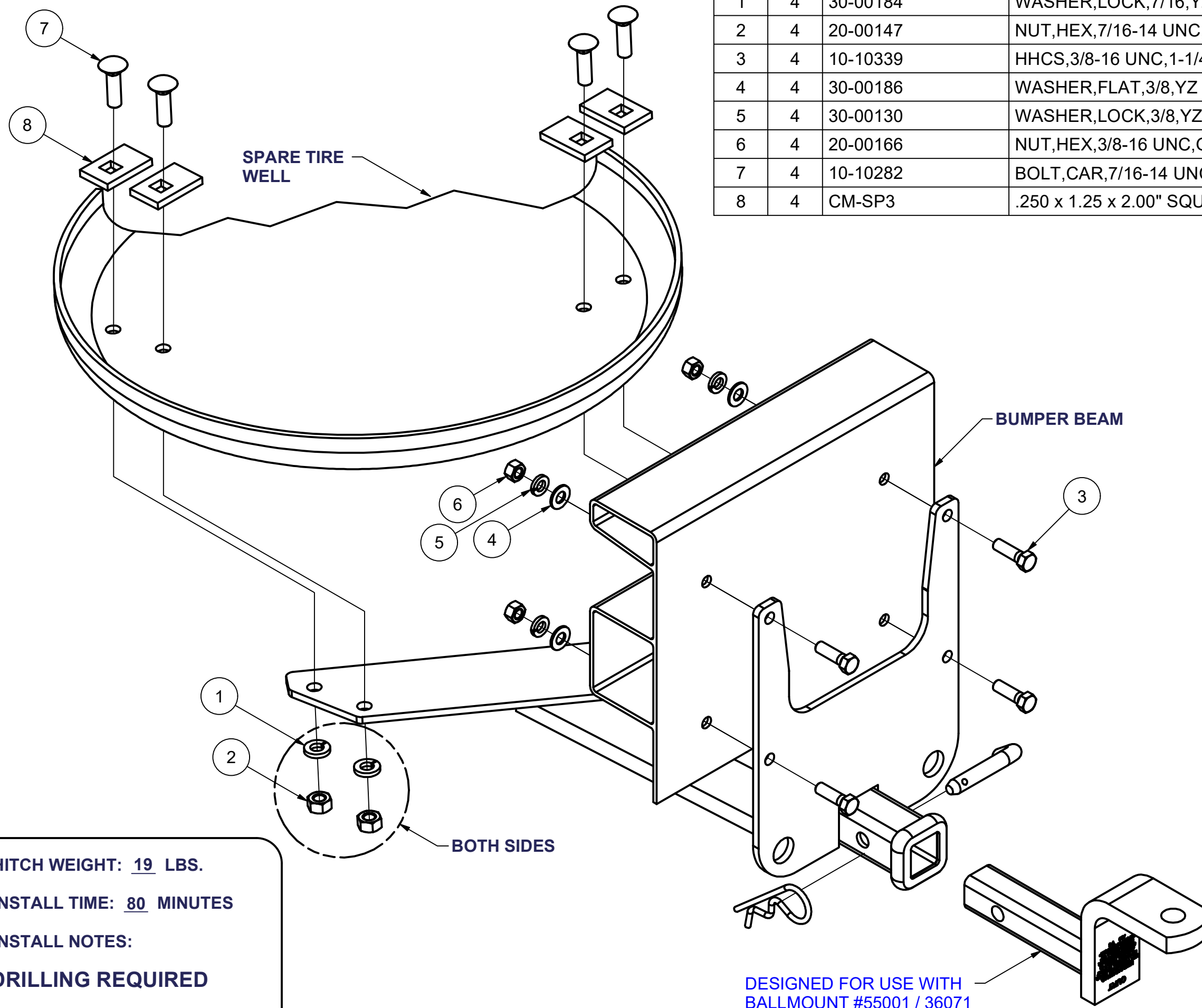


11744 / 247294

96-02 MERCEDES BENZ E-CLASS

9/28/2020

GROSS LOAD CAPACITY WHEN USED AS A WEIGHT CARRYING HITCH: 2,000 LBS. TRAILER WEIGHT & 200 LBS. TONGUE WEIGHT.
*****DO NOT EXCEED VEHICLE MANUFACTURER'S RECOMMENDED TOWING CAPACITY.*****



Parts List			
ITEM	QTY	PART NUMBER	DESCRIPTION
1	4	30-00184	WASHER, LOCK, 7/16, YZ
2	4	20-00147	NUT, HEX, 7/16-14 UNC, GRD8, YZ
3	4	10-10339	HHCS, 3/8-16 UNC, 1-1/4, GRD8, YZ
4	4	30-00186	WASHER, FLAT, 3/8, YZ
5	4	30-00130	WASHER, LOCK, 3/8, YZ
6	4	20-00166	NUT, HEX, 3/8-16 UNC, GRD8, YZ
7	4	10-10282	BOLT, CAR, 7/16-14 UNC, 1-1/2, GRD8, YZ
8	4	CM-SP3	.250 x 1.25 x 2.00" SQUARE HOLE SPACER

HITCH WEIGHT: 19 LBS.
 INSTALL TIME: 80 MINUTES
 INSTALL NOTES:
DRILLING REQUIRED

INSTALLATION STEPS

- 1) This hitch requires rear bumper removal for installation. Hitch mounts to the vehicle's rear panel and to the bottom surface of the tire well. Temporarily remove spare tire and contents of tire well.
- 2) Temporarily remove plastic panel on inside edge of tire well by removing two screws and pulling out retaining clips. Under this panel there are three bumper retaining nuts recessed in the rear panel. Note: mounted to the inside surface of the bumper fascia are cellular telephone antennas on both left and right sides. Carefully slide antennas out of mounting brackets and remove wires from bumper assembly and temporarily place antennas in trunk. Remove nuts attaching bumper, carefully slide bumper assembly rearward, removing antennas as noted above.
- 3) Mark centerline of car on the rear panel. Position hitch centered on car so bottom holes are 1/2" above bottom lip of rear panel. Mark holes for fasteners on rear panel. Centerpunch and drill holes. Mount hitch and install fasteners as shown.
- 4) Using the hitch as a template, drill tire well for fasteners with backing plates inside tire well as shown.
- 5) Torque all 3/8" fasteners to 45 lb-ft, and all 7/16" fasteners to 70 lb-ft.

PERIODICALLY CHECK THIS RECEIVER HITCH TO ENSURE THAT ALL FASTENERS ARE TIGHT AND THAT ALL STRUCTURAL COMPONENTS ARE SOUND.

Curt Manufacturing Inc., warrants this product to be free of defects in material and/or workmanship at the time of retail purchase by the original purchaser. If the product is found to be defective, Curt Manufacturing Inc., may repair or replace the product, at their option, when the product is returned, prepaid, with proof of purchase. Alteration to, misuse of, or improper installation of this product voids the warranty. Curt Manufacturing Inc.'s liability is limited to repair or replacement of products found to be defective, and specifically excludes liability for incidental or consequential loss or damage.