

YEARS: 2018-PRESENT

MAKE: HONDA

MODEL: ACCORD

STYLE: SEDAN

**WARNING: NEVER EXCEED YOUR VEHICLE MANUFACTURER'S RECOMMENDED TOWING CAPACITY**  
 For more information log onto [www.curtmfg.com](http://www.curtmfg.com) & for helpful towing tips log onto [www.hitchinfo.com](http://www.hitchinfo.com)

**WEIGHT CARRYING:**  
 TRAILER WEIGHT: 2,000 LBS.  
 TONGUE WEIGHT: 200 LBS.

**WARNING:**  
 ALL NON-TRAILER (WHEEL-LESS) LOADS APPLIED TO THIS PRODUCT MUST BE SUPPORTED BY 18050 STABILIZING STRAPS. PLEASE SEE THE CURT CATALOG OR VISIT US ONLINE AT [WWW.CURTMFG.COM](http://WWW.CURTMFG.COM) FOR FURTHER INFORMATION.

**PRO INSTALL TIME: 60 MIN.**  
**NOVICE INSTALL TIME: 120 MIN.**

IF YOU ARE HESITANT TO UNDERTAKE THIS TASK ON YOUR OWN, CONTACT AN AUTHORIZED CURT INSTALLER FOR ADDITIONAL ASSISTANCE.

**INSTALLATION REQUIRES:**

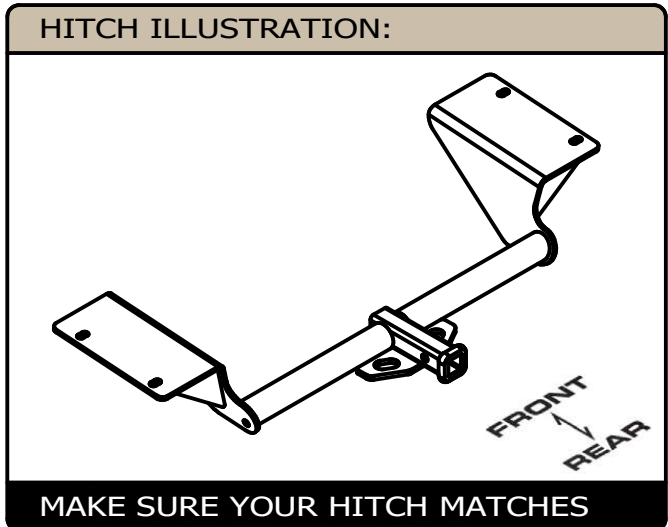
<b>RATCHET</b>	<b>TORQUE WRENCH</b>	<b>SOCKET</b> 11/16" 10mm 14mm
<b>TAPE MEASURE</b>	<b>POWER DRILL</b>	<b>AVIATION SHEARS</b>
<b>DRILL BIT</b> 1/2"	<b>SAFETY GLASSES</b>	<b>MARKER</b>

**INSTALLATION TIPS:**

- BEFORE YOU BEGIN INSTALLATION, READ ALL INSTRUCTIONS THOROUGHLY.
- TO EASE INSTALLATION, 2 PEOPLE MAY BE REQUIRED.
- USING PROPER TOOLS WILL GREATLY IMPROVE THE QUALITY OF THE INSTALL AND REDUCE THE TIME REQUIRED.
- NEED HELP OR HAVE SOME QUESTIONS? CALL TECHNICAL SUPPORT AT 877.287.8634

**LEVEL OF DIFFICULTY: MODERATE**

EASY	MODERATE	CHALLENGING
	FOR EASE OF INSTALL, REMOVE DRIVER SIDE MUFFLER	
	TRIM EXHAUST HEAT SHIELDS	
	DRILL (2) 1/2" MOUNTING HOLES	
	LOWER EXHAUST - REMOVE (5) RUBBER ISOLATORS	
	FISHWIRE (4) FASTENERS	



**PERIODICALLY CHECK THIS RECEIVER HITCH TO ENSURE ALL FASTENERS ARE TIGHT AND ALL STRUCTURAL COMPONENTS ARE SOUND**  
 CURT Manufacturing LLC. warrants this product to be free of defects in material and/or workmanship at the time of retail purchase by the original purchaser. If the product is found to be defective, CURT Manufacturing LLC. may repair or replace the product at their option, when the product is returned, prepaid, with proof of purchase. Alteration to, misuse of, or improper installation of this product voids the warranty. CURT Manufacturing LLC.'s liability is limited to repair or replacement of products found to be defective, and specifically excludes liability for incidental or consequential loss or damage.  
 For more information log onto [www.curtmfg.com](http://www.curtmfg.com)  
 This product complies with safety specifications and requirements for connecting devices and towing systems of the state of New York, V.E.S.C.Regulation V-5 and SAE J684.

# INSTALLATION WALKTHROUGH:

Parts List			
ITEM	QTY	PART NUMBER	DESCRIPTION
1	2	10-10282	BOLT,CAR,7/16-14 UNC,1-1/2,GRD8,YZ
2	2	10-10311	BOLT,CAR,7/16-14 UNC,1,GRD8,YZ
3	4	20-00103	NUT,SER-FLANGE,7/16-14 UNC,GRD8,YZ
5	2	CM-SP6	.250 x 1.00 x 3.00" SQUARE HOLE SPACER
4	2	CM-SP2	.250 x .88 x 2.25" SQUARE HOLE SPACER
6	4	7_16 FISHWIRE	7/16" FISHWIRE

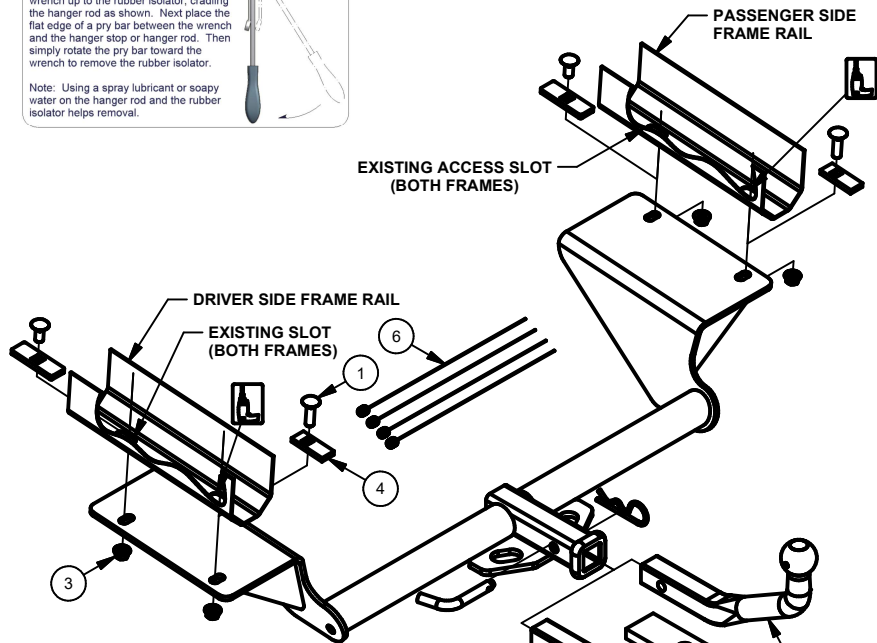
FRONT  
↕  
REAR

### RUBBER ISOLATOR REMOVAL DIAGRAM

This technique can be used if an Exhaust Hanger Removal Pliers is not available.

Using a 5/8" open end wrench, slide the wrench up to the rubber isolator, cradling the hanger rod as shown. Next place the flat edge of a pry bar between the wrench and the hanger stop or hanger rod. Then simply rotate the pry bar toward the wrench to remove the rubber isolator.

Note: Using a spray lubricant or soapy water on the hanger rod and the rubber isolator helps removal.

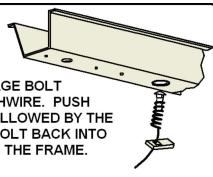


DESIGNED FOR USE WITH BALL MOUNT # 45520

EURO MOUNT OPTION AVAILABLE  
# 45561 (1 7/8" BALL)  
# 45562 (2" BALL)

### REVERSE PULL FISHWIRE TECHNIQUE

ATTACH FISHWIRE TO CARRIAGE BOLT AND SLIDE SPACER ONTO FISHWIRE. PUSH THE BOLT THRU THE HOLE FOLLOWED BY THE SPACER (AS SHOWN). PULL BOLT BACK INTO POSITION, PROTRUDING FROM THE FRAME.



FRONT  
↕  
REAR

1. Lower the exhaust by removing 5 rubber isolators (2 on each muffler and 1 in the center of the exhaust). Remove the passenger side muffler by removing the (2) flange nuts attaching it to the exhaust pipe with a 14mm socket.



2. Remove the rearward most screw in the heat shields on the frame rail. Measure 5" forward on the heat shield and make a 1.25" hole in line with the screw hole (both heat shields). Flattening the heat shield around the screw that was removed will aid in installing the forward most flange nuts.



## INSTALLATION WALKTHROUGH:

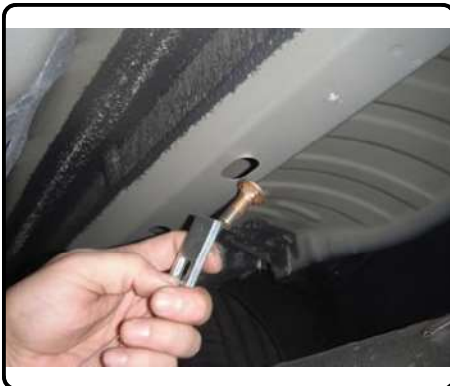
3. Raise hitch into position aligning it with the hole in the frame rail seen under the trimmed section of heat shield. Use the hitch to mark the rearward most mounting holes. Remove hitch and using a  $\frac{1}{2}$ " drill bit, drill the marked locations and enlarge to reverse fishwire hardware in both frame rails.

\*\*\* shown with heat shield removed for clarity \*\*\*



4. Reverse fishwire the **1 1/2" long** carriage bolts and spacers through the holes drilled in step 3. Then reverse Fishwire the remaining **1" short** carriage bolts and spacers into the forward most mounting slots. (See Fishwire technique)

\*\*\* shown with heat shield removed for clarity \*\*\*



5. Raise the hitch into position with care not to push the fasteners back into the frame rail and loosely secure with the supplied hex flange nuts.



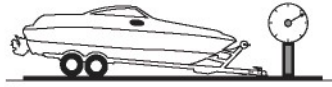
6. Torque all 7/16" hardware to 59 ft-lbs. Reinstall exhaust in reverse of step 1.



## TOWING SAFETY INFORMATION

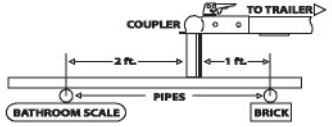
### Gross Trailer Weight / GTW

The Gross Trailer Weight is the weight of the trailer & cargo. Measure this by putting the fully loaded trailer on a vehicle scale.



### Tongue Weight / TW

The downward force that is exerted on the hitch ball by the coupler. The tongue weight will vary depending on where the load is positioned in relationship to the trailer axle(s). To measure the tongue weight, use either a commercial scale or a bathroom scale with the coupler at towing height. When using a bathroom scale with heavier tongue weights, use the method shown and multiply the scale reading by 3.



### Weight Carrying / WC

The total weight of both the trailer and the cargo inside. Never exceed the weight capacity of your trailer hitch.

### Weight Distribution / WD

Used to balance the weight of the cargo between the front and rear wheels throughout the trailer, allowing for better steering, braking, and level riding.



### Sway Control

A device used to reduce the lateral movements of the trailer that are caused by the wind. This works in conjunction with a weight distribution hitch. Do not use this on a class 1 or 2 hitch, or with surge brakes.

### How Much Can You Safely Tow?

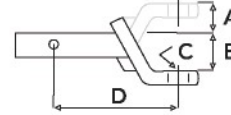
TONGUE WEIGHT lbs	1000	2000	3000	4000	5000	6000	7000	8000	10,000	12,000
Tongue weight should be about 10% to 15% percent of the gross trailer weight.										
CLASS 1										
CLASS 2										
CLASS 3										
CLASS 4										
CLASS 5										
TRAILER TYPE										
Camper	11'	12'	13'	14'	15'	16'				
lbs	1100	1200	1300	1400	1500	1600				
Vacation	14'	16'	18'	20'	22'	24'	26'	28'	30'	32'
lbs	2100	2400	2700	3000	3300	3600	3900	4200	4500	4800
Vacation	14'	16'	18'	20'	22'	24'	26'	28'	30'	32'
lbs	2800	3200	3600	4000	4400	4800	5200	5600	6000	6400
5th Wheel										

Refer to owner's manual for towing capabilities and limitations.

### Ball Mount

The ball mount is placed inside the opening of the receiver hitch which is mounted to the vehicle. Make sure a hitch pin and clip is properly securing the ball mount to the receiver hitch before you begin towing.

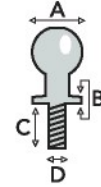
- A: Rise. B: Drop. C: Hole Size. D: Length.



### Trailer Ball

The connection from the hitch to the trailer. There are many factors that determine the correct hitch ball:

- Number one is the hitch ball's gross trailer weight rating.
- The mounting platform must be at least 3/8" thick.
- The hole diameter must not be more than 1/16" larger than the threaded shank.
- Every time you tow, check the nut and lock washer to make sure they are fastened securely.
- A: Ball Dia. B: Shank Dia. C: Shank Length. D: Shank Rise.



### Coupler

The component that is placed over the trailer ball to connect the vehicle to the trailer. Be sure that the coupler size matches the size of the hitch ball and that the coupler handle is securely fastened. To determine what size hitch ball you need for your application you will need to know the size of coupler that is on the trailer. Be sure your coupler is properly adjusted to the ball you are using.

NOTE: For added security the use of safety devices such as Coupler Safety Pins and Locks is strongly recommended.

### Safety Chains

Safety chains are a requirement and should be crossed under the tongue of the trailer so that the tongue will not drop to the road if it becomes separated from the hitch. Always leave enough slack so you can turn. Never allow the safety chains to drag on the ground and never attach the chains to the bumper.

Trailer Classification: Safety Chain Breaking Force - Minimum

Class 1: 2,000 lbs. (8.9 kN)

Class 2: 3,500 lbs. (15.6 kN)

Class 3: 5,000 lbs. (22.2 kN)

The strength rating of each length of safety chain or its equivalent and its attachments shall be equal to or exceed in minimum breaking force the GVWR (Gross Vehicle Weight Rating) of the trailer.

### Electrical

Trailer lights, Electric Brakes, Break-away systems - Every time you tow, be sure to check that all components are working properly.

Wiring identification by color:



GROSS LOAD CAPACITY WHEN USED AS A WEIGHT CARRYING HITCH: 2,000 LBS. TRAILER WEIGHT & 200 LBS. TONGUE WEIGHT.

WARNING: ALL NON-TRAILER (WHEEL-LESS) LOADS APPLIED TO THIS PRODUCT MUST BE SUPPORTED BY 18050 STABILIZING STRAPS.



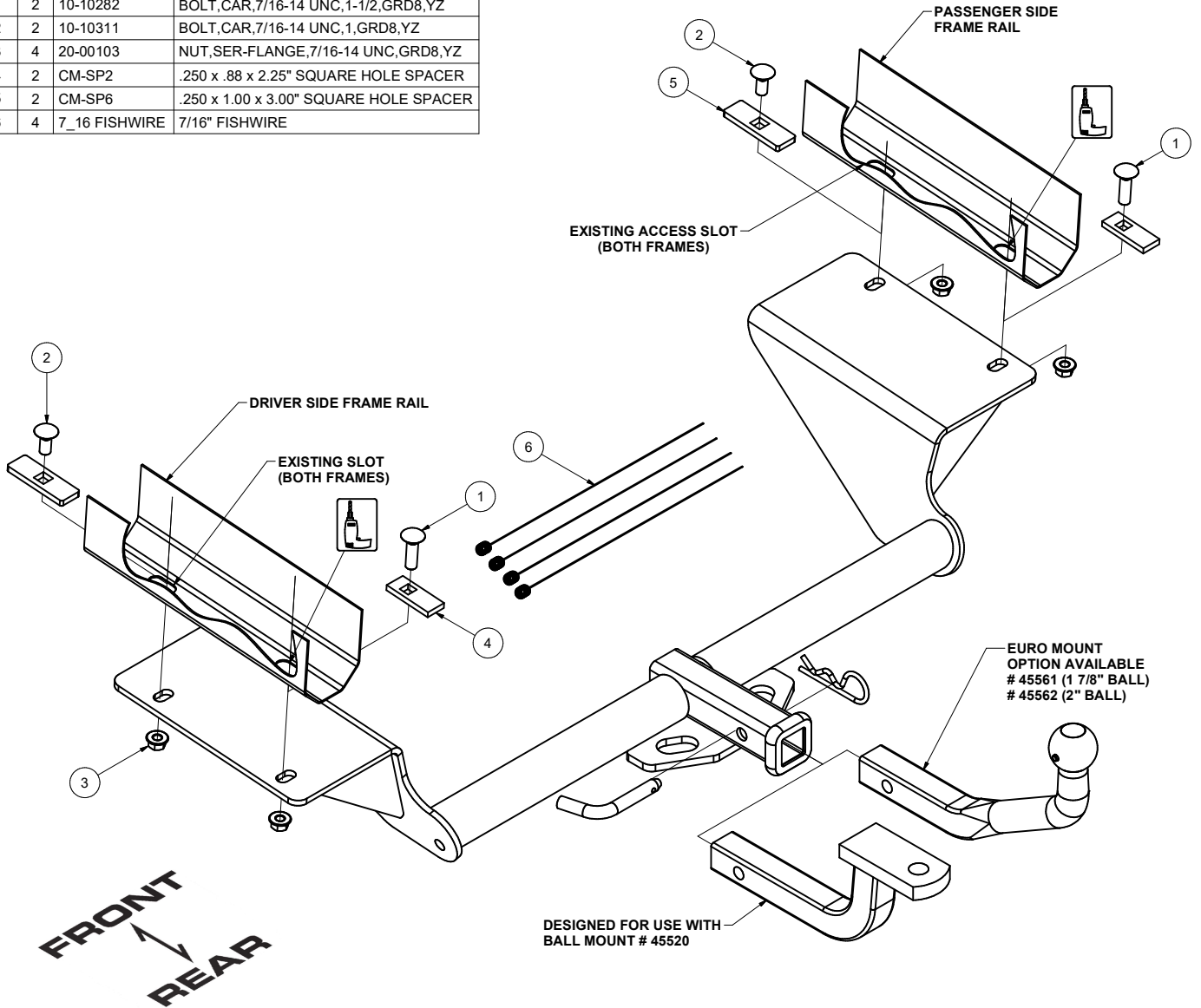
**WARNING: \*\* FAILURE TO PROPERLY SUPPORT NON-TRAILER LOADS WILL VOID PRODUCT WARRANTY \*\***

**WARNING: \*\*\* DO NOT EXCEED VEHICLE MANUFACTURER'S RECOMMENDED TOWING CAPACITY \*\*\***



FOR MORE INFORMATION LOG ONTO WWW.CURTMFG.COM  
 HAVING INSTALLATION QUESTIONS? CALL TECHNICAL SUPPORT AT 1-877-287-8634

Parts List			
ITEM	QTY	PART NUMBER	DESCRIPTION
1	2	10-10282	BOLT,CAR,7/16-14 UNC,1-1/2,GRD8,YZ
2	2	10-10311	BOLT,CAR,7/16-14 UNC,1,GRD8,YZ
3	4	20-00103	NUT,SER-FLANGE,7/16-14 UNC,GRD8,YZ
4	2	CM-SP2	.250 x .88 x 2.25" SQUARE HOLE SPACER
5	2	CM-SP6	.250 x 1.00 x 3.00" SQUARE HOLE SPACER
6	4	7_16 FISHWIRE	7/16" FISHWIRE



HITCH WEIGHT: 27 LBS.

**INSTALL TIME**

PROFESSIONAL: 60 MINUTES

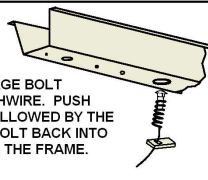
NOVICE (DIY): 120 MINUTES

**INSTALL NOTES:**

- DRILLING REQUIRED
- LOWER EXHAUST
- TRIM HEAT SHIELDS
- TEMPORARILY REMOVE PASSENGER SIDE MUFFLER

**REVERSE PULL FISHWIRE TECHNIQUE**

ATTACH FISHWIRE TO CARRIAGE BOLT AND SLIDE SPACER ONTO FISHWIRE. PUSH THE BOLT THRU THE HOLE FOLLOWED BY THE SPACER (AS SHOWN). PULL BOLT BACK INTO POSITION, PROTRUDING FROM THE FRAME.

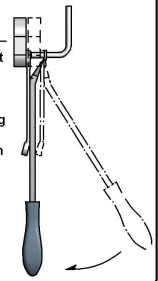


**RUBBER ISOLATOR REMOVAL DIAGRAM**

This technique can be used if an Exhaust Hanger Removal Pliers is not available.

Using a 5/8" open end wrench, slide the wrench up to the rubber isolator, cradling the hanger rod as shown. Next place the flat edge of a pry bar between the wrench and the hanger stop or hanger rod. Then simply rotate the pry bar toward the wrench to remove the rubber isolator.

Note: Using a spray lubricant or soapy water on the hanger rod and the rubber isolator helps removal.



**PERIODICALLY CHECK THIS RECEIVER HITCH TO ENSURE THAT ALL FASTENERS ARE TIGHT AND THAT ALL STRUCTURAL COMPONENTS ARE SOUND.**

CURT Manufacturing LLC., warrants this product to be free of defects in material and/or workmanship at the time of retail purchase by the original purchaser. If the product is found to be defective, CURT Manufacturing LLC., may repair or replace the product, at their option, when the product is returned, prepaid, with proof of purchase. Alteration to, misuse of, or improper installation of this product voids the warranty. CURT Manufacturing LLC.'s liability is limited to repair or replacement of products found to be defective, and specifically excludes liability for incidental or consequential loss or damage.

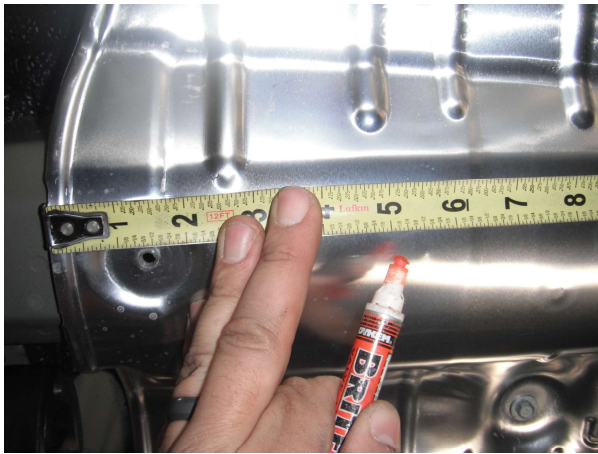
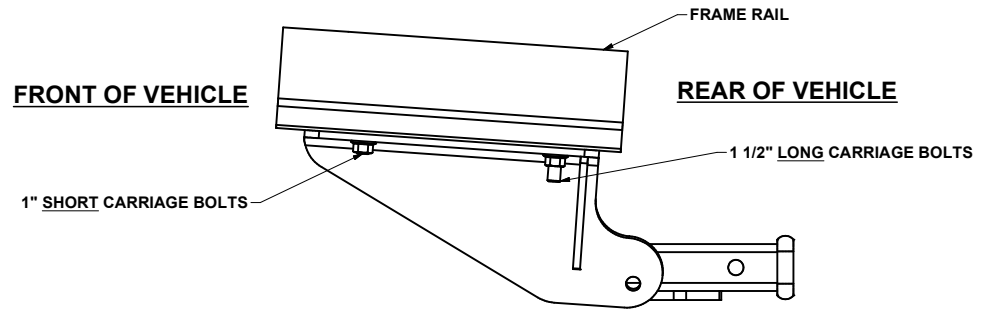
This product complies with safety specifications and requirements for connecting devices and towing systems of the state of New York, V.E.S.C.Regulation V-5 and SAE J684.



Scan for more information

HAVING INSTALLATION QUESTIONS? CALL TECHNICAL SUPPORT AT 1-877-287-8634

TOOLS REQUIRED
RATCHET
TORQUE WRENCH
SAFETY GLASSES
11/16", 10mm AND 14mm SOCKETS
DIE GRINDER OR SHEARS
TAPE MEASURE
MARKER



## INSTALLATION STEPS

1. Lower the exhaust by removing 5 rubber isolators (2 on each muffler and 1 in the center of the exhaust). Remove the passenger side muffler by removing the (2) flange nuts attaching it to the exhaust pipe with a 14mm socket. (see Rubber Isolator Removal Diagram on page 1)
2. Remove the rearward most screw in the heat shields on the frame rail. Measure 5" forward on the heat shield and make a 1.25" hole in line with the screw hole (both heat shields). Flattening the heat shield around the screw that was removed will aid in installing the forward most flange nuts.
3. Raise hitch into position aligning it with the hole in the frame rail seen under the trimmed section of heat shield. Use the hitch to mark the rearward most mounting holes. Remove hitch and using a 1/2" drill bit, drill the marked locations and enlarge to reverse fishwire hardware in both frame rails.
4. Reverse fishwire the **1 1/2" long** carriage bolts and spacers through the holes drilled in step 3. Then reverse Fishwire the remaining **1" short** carriage bolts and spacers into the forward most mounting slots. (See Fishwire technique)
5. Raise the hitch into position with care not to push the fasteners back into the frame rail and loosely secure with the supplied hex flange nuts.
6. Torque all 7/16" hardware to 59 ft-lbs. Reinstall exhaust in reverse of step 1.

**PERIODICALLY CHECK THIS RECEIVER HITCH TO ENSURE THAT ALL FASTENERS ARE TIGHT AND THAT ALL STRUCTURAL COMPONENTS ARE SOUND.**

CURT Manufacturing LLC., warrants this product to be free of defects in material and/or workmanship at the time of retail purchase by the original purchaser. If the product is found to be defective, CURT Manufacturing LLC., may repair or replace the product, at their option, when the product is returned, prepaid, with proof of purchase. Alteration to, misuse of, or improper installation of this product voids the warranty. CURT Manufacturing LLC.'s liability is limited to repair or replacement of products found to be defective, and specifically excludes liability for incidental or consequential loss or damage.

This product complies with safety specifications and requirements for connecting devices and towing systems of the state of New York, V.E.S.C.Regulation V-5 and SAE J684.