



Safety glasses should be worn at all times while installing this product.

YEARS: 2012-PRESENT

MAKE: AUDI

MODEL: A6

STYLE: SEDAN

**WARNING: NEVER EXCEED YOUR VEHICLE MANUFACTURER'S RECOMMENDED TOWING CAPACITY**  
 For more information log onto [www.curtmfg.com](http://www.curtmfg.com) & for helpful towing tips log onto [www.hitchinfo.com](http://www.hitchinfo.com)

**WEIGHT CARRYING:**  
 TRAILER WEIGHT: 2,000 LBS.  
 TONGUE WEIGHT: 200 LBS.

**WARNING:**  
 WE RECOMMEND THE USE OF 18050 STABILIZING STRAPS FOR ALL NON-TRAILER (WHEEL-LESS) LOADS. PLEASE SEE THE CURT CATALOG OR VISIT US ONLINE AT [WWW.CURTMFG.COM](http://WWW.CURTMFG.COM) FOR FURTHER INFORMATION.

**PRO INSTALL TIME: 45 MIN.**  
**NOVICE INSTALL TIME: 90 MIN.**

IF YOU ARE HESITANT TO UNDERTAKE THIS TASK ON YOUR OWN, CONTACT AN AUTHORIZED CURT INSTALLER FOR ADDITIONAL ASSISTANCE.

**INSTALLATION REQUIRES:**

RATCHET	TORQUE WRENCH	3/4" 10mm SOCKETS
9" SOCKET EXTENSION	T-25 TORXBIT SOCKETS T-30	ROTARY TOOL
TAPE MEASURE	MASKING TAPE	CUT-OFF WHEEL
SILICONE CAULK	SAFETY GLASSES	

**INSTALLATION TIPS:**

- BEFORE YOU BEGIN INSTALLATION, READ ALL INSTRUCTIONS THOROUGHLY.
- TO EASE INSTALLATION, 2 PEOPLE MAY BE REQUIRED.
- USING PROPER TOOLS WILL GREATLY IMPROVE THE QUALITY OF THE INSTALL AND REDUCE THE TIME REQUIRED.
- NEED HELP OR HAVE SOME QUESTIONS? CALL TECHNICAL SUPPORT AT 877.287.8634

**LEVEL OF DIFFICULTY: MODERATE**

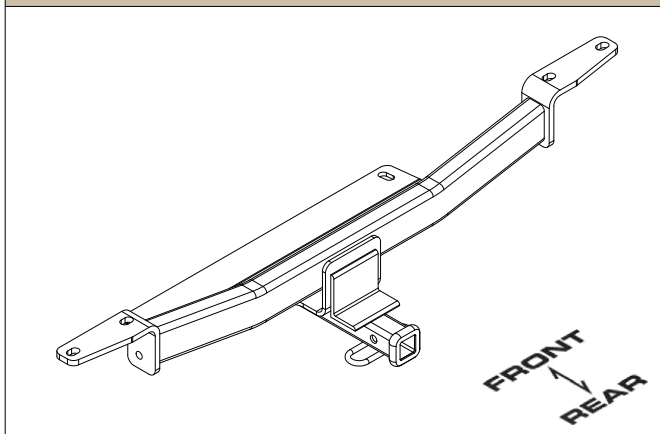
EASY	MODERATE	CHALLENGING
- NO DRILLING REQUIRED		
- FASCIA TRIMMING REQUIRED		

**VEHICLE PHOTO:**



REPRESENTATIVE PHOTO

**HITCH ILLUSTRATION:**



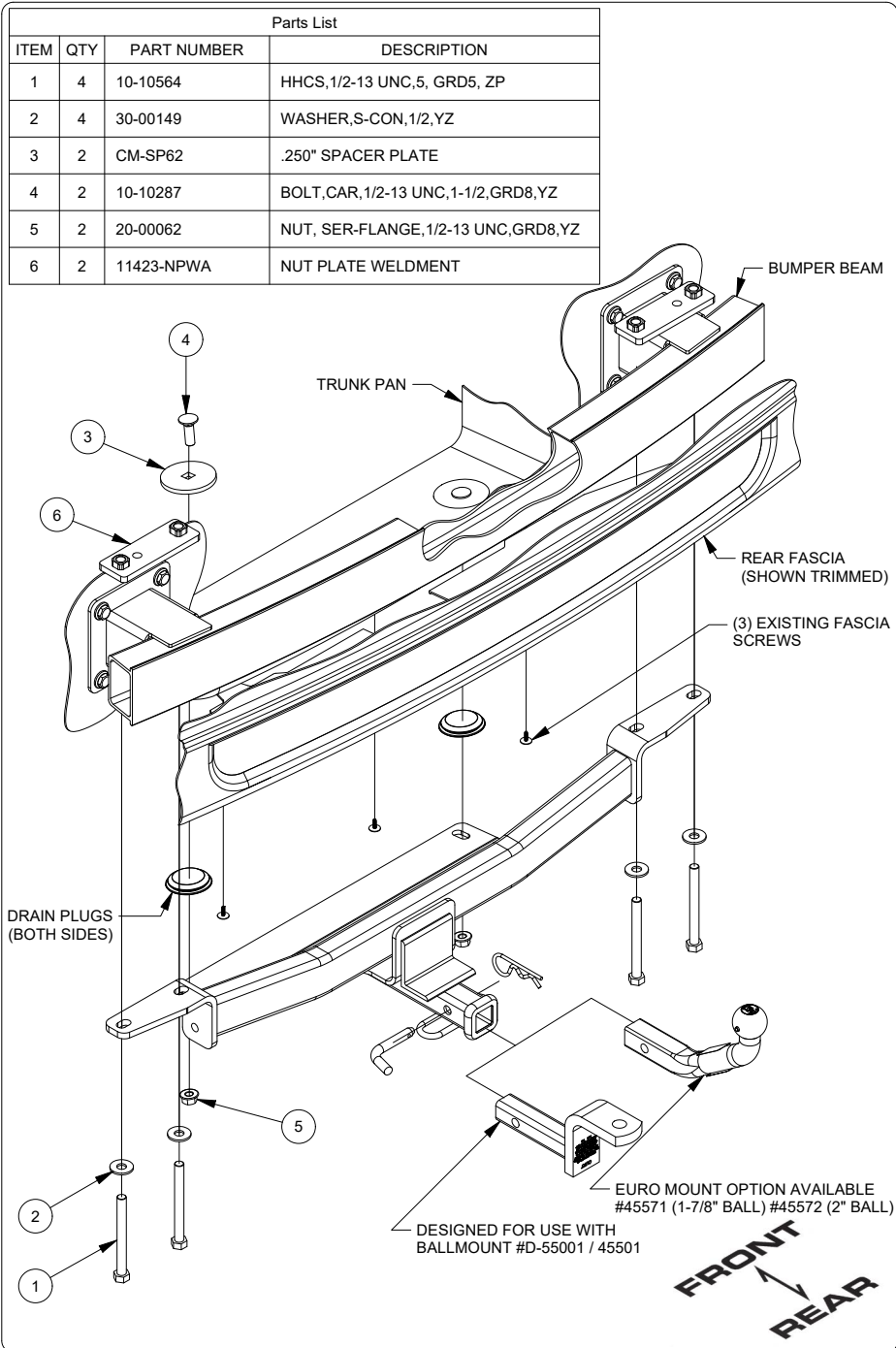
MAKE SURE YOUR HITCH MATCHES



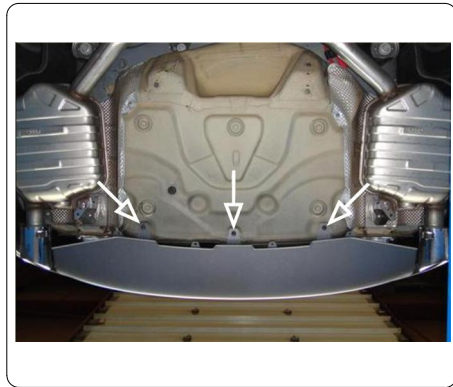
SCAN FOR MORE INFO

**PERIODICALLY CHECK THIS RECEIVER HITCH TO ENSURE ALL FASTENERS ARE TIGHT AND ALL STRUCTURAL COMPONENTS ARE SOUND**  
 CURT Manufacturing LLC. warrants this product to be free of defects in material and/or workmanship at the time of retail purchase by the original purchaser. If the product is found to be defective, CURT Manufacturing LLC. may repair or replace the product at their option, when the product is returned, prepaid, with proof of purchase. Alteration to, misuse of, or improper installation of this product voids the warranty. CURT Manufacturing LLC.'s liability is limited to repair or replacement of products found to be defective, and specifically excludes liability for incidental or consequential loss or damage.  
 For more information log onto [www.curtmfg.com](http://www.curtmfg.com), & for helpful towing tips log onto [www.hitchinfo.com](http://www.hitchinfo.com)  
 This product complies with safety specifications and requirements for connecting devices and towing systems of the state of New York, V.E.S.C.Regulation V-5 and SAE J684.

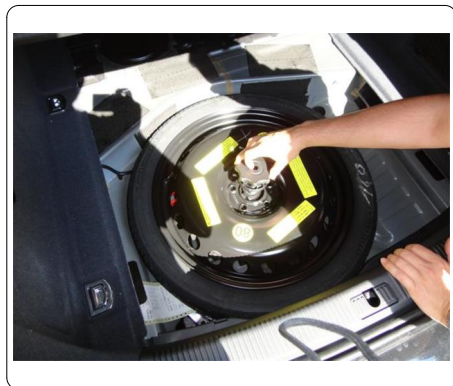
# INSTALLATION WALKTHROUGH:



1. Remove the (3) fascia screws holding the rear plastic fascia to the bottom of the trunk pan. Retain (2) screws for reinstallation in Step (9) and return (1) screw to owner. **Note:** For 2016 models remove (2) inboard T-30 screws that retain exhaust tips (1) on each side, and remove exhaust tips.



2. Remove the spare tire from inside the trunk.



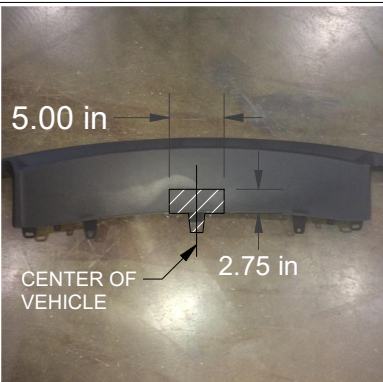


## INSTALLATION WALKTHROUGH:

3. Remove the (2) rearmost rubber drain plugs from the bottom of the trunk pan and return to owner.  
**Note:** To ease installation lower exhaust by removing (2) nuts using 10mm socket from the exhaust bracket (1) on each side.



4. Mark and trim rear fascia.  
**Note:** For vehicles equipped with kick sensor, use caution when trimming to avoid damaging the kick sensor.  
**Note:** For 2016 models use 10mm socket to remove (4) bolts (2) on each side and remove (2) fascia brackets (1) on each side from vehicle and trim for clearance as shown.  
**Note:** Dimensions are approximate, confirm fit prior to trimming.



5. Reattach trimmed fascia brackets. Gently flex the rear fascia and place nut plates on top of the bumper beam supports.

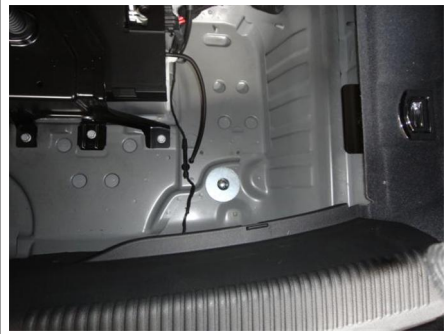


6. Raise hitch into position, aligning the slots in the hitch with the holes in the nut plates. Loosely secure the hitch into position using (4) 1/2-13 x 5" hex bolts and 1/2" conical toothed washers (2) each side.

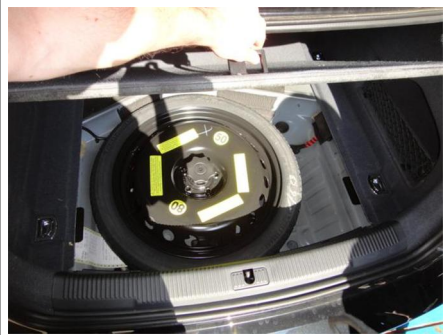


## INSTALLATION WALKTHROUGH:

7. Seal the drain holes in the trunk pan with silicone caulk. Insert a SP62 spacer and 1/2-13 x 1 1/2" carriage bolt into each of the drain holes and secure from below with 1/2" hex flange nut.



8. Torque all 1/2-13 x 5" hex bolts to 75 ft-lbs. Torque all remaining 1/2" hardware to 110 ft-lbs. Return the spare tire to the trunk.



9. Reinstall the (2) outer screws through the bumper fascia and into the trunk pan.

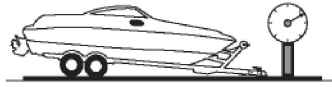




## TOWING SAFETY INFORMATION

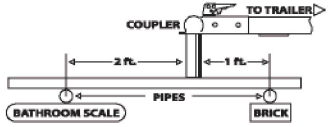
### Gross Trailer Weight / GTW

The Gross Trailer Weight is the weight of the trailer & cargo. Measure this by putting the fully loaded trailer on a vehicle scale.



### Tongue Weight / TW

The downward force that is exerted on the hitch ball by the coupler. The tongue weight will vary depending on where the load is positioned in relationship to the trailer axle(s). To measure the tongue weight, use either a commercial scale or a bathroom scale with the coupler at towing height. When using a bathroom scale with heavier tongue weights, use the method shown and multiply the scale reading by 3.



### Weight Carrying / WC

The total weight of both the trailer and the cargo inside. Never exceed the weight capacity of your trailer hitch.

### Weight Distribution / WD

Used to balance the weight of the cargo between the front and rear wheels throughout the trailer, allowing for better steering, braking, and level riding.



### Sway Control

A device used to reduce the lateral movements of the trailer that are caused by the wind. This works in conjunction with a weight distribution hitch. Do not use this on a class 1 or 2 hitch, or with surge brakes.

### How Much Can You Safely Tow?

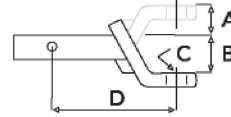
TONGUE WEIGHT lbs	1000	2000	3000	4000	5000	6000	7000	8000	10,000	12,000
Tongue weight should be about 10 to 15 percent of the gross trailer weight.										
CLASS 1										
CLASS 2										
CLASS 3										
CLASS 4										
CLASS 5										
<b>TRAILER TYPE</b>										
<b>Camper</b>	11'	12'	13'	14'	15'	16'				
lbs	1100	1200	1300	1400	1500	1600				
<b>Vacation</b>	14'	16'	18'	20'	22'	24'	26'	28'	30'	32'
lbs	2100	2400	2700	3000	3300	3600	3900	4200	4500	4800
<b>Vacation</b>	14'	16'	18'	20'	22'	24'	26'	28'	30'	32'
lbs	2800	3200	3600	4000	4400	4800	5200	5600	6000	6400
<b>5th Wheel</b>										

Refer to owner's manual for towing capabilities and limitations.

### Ball Mount

The ball mount is placed inside the opening of the receiver hitch which is mounted to the vehicle. Make sure a hitch pin and clip is properly securing the ball mount to the receiver hitch before you begin towing.

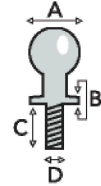
- A: Rise. B: Drop. C: Hole Size. D: Length.



### Trailer Ball

The connection from the hitch to the trailer. There are many factors that determine the correct hitch ball:

- Number one is the hitch ball's gross trailer weight rating.
- The mounting platform must be at least 3/8" thick.
- The hole diameter must not be more than 1/16" larger than the threaded shank.
- Every time you tow, check the nut and lock washer to make sure they are fastened securely.
- A: Ball Dia. B: Shank Dia. C: Shank Length. D: Shank Rise.



### Coupler

The component that is placed over the trailer ball to connect the vehicle to the trailer. Be sure that the coupler size matches the size of the hitch ball and that the coupler handle is securely fastened. To determine what size hitch ball you need for your application you will need to know the size of coupler that is on the trailer. Be sure your coupler is properly adjusted to the ball you are using.

NOTE: For added security the use of safety devices such as Coupler Safety Pins and Locks is strongly recommended.

### Safety Chains

Safety chains are a requirement and should be crossed under the tongue of the trailer so that the tongue will not drop to the road if it becomes separated from the hitch. Always leave enough slack so you can turn. Never allow the safety chains to drag on the ground and never attach the chains to the bumper.

Trailer Classification: Safety Chain Breaking Force - Minimum

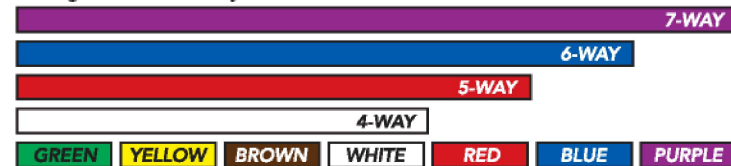
- Class 1: 2,000 lbs. (8.9 kN)
- Class 2: 3,500 lbs. (15.6 kN)
- Class 3: 5,000 lbs. (22.2 kN)

The strength rating of each length of safety chain or its equivalent and its attachments shall be equal to or exceed in minimum breaking force the GVWR (Gross Vehicle Weight Rating) of the trailer.

### Electrical

Trailer lights, Electric Brakes, Break-away systems - Every time you tow, be sure to check that all components are working properly.

Wiring identification by color:



GROSS LOAD CAPACITY WHEN USED AS A WEIGHT CARRYING HITCH: 2,000 LBS. TRAILER WEIGHT & 200 LBS. TONGUE WEIGHT.

WARNING: ALL NON-TRAILER LOADS APPLIED TO THIS PRODUCT MUST BE SUPPORTED BY 18050 STABILIZING STRAPS.



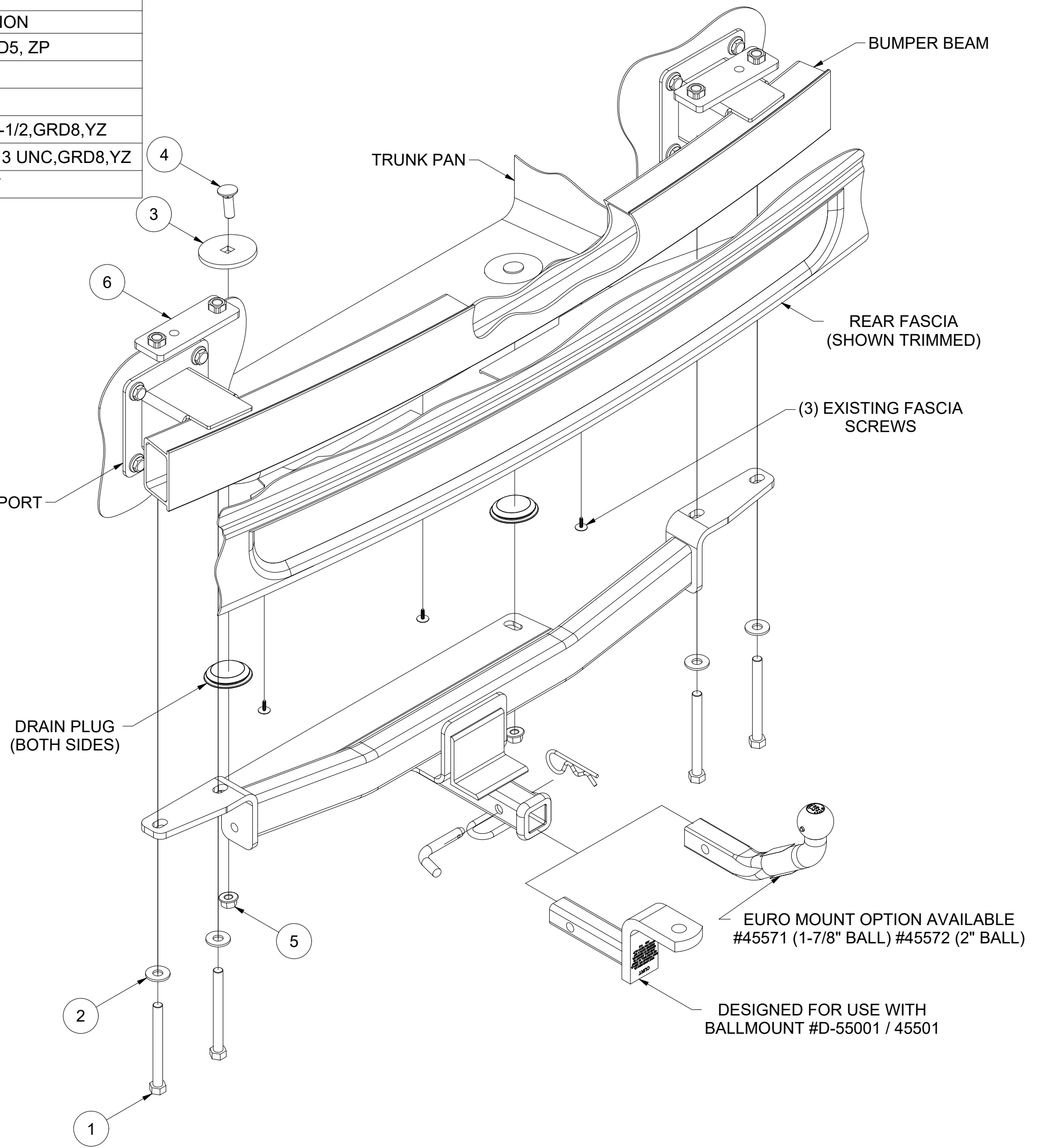
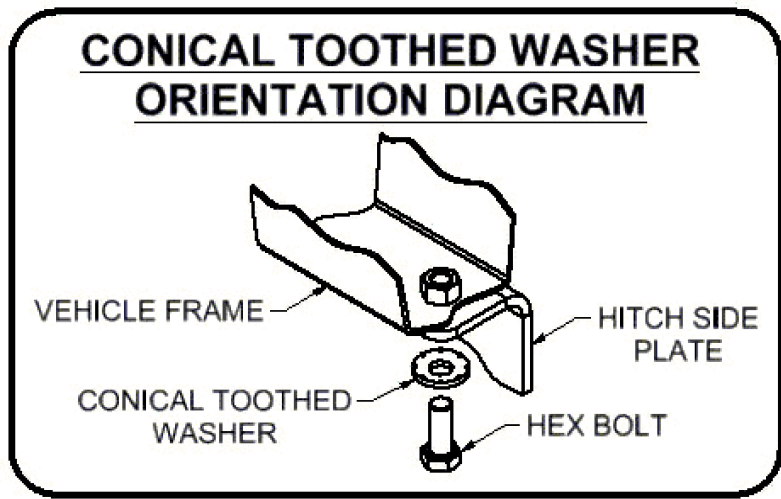
**WARNING: \*\* FAILURE TO PROPERLY SUPPORT NON-TRAILER LOADS WILL VOID PRODUCT WARRANTY \*\***

**WARNING: \*\*\* DO NOT EXCEED VEHICLE MANUFACTURER'S RECOMMENDED TOWING CAPACITY \*\*\***

FOR MORE INFORMATION LOG ONTO [WWW.CURTMFG.COM](http://WWW.CURTMFG.COM) & FOR HELPFUL TOWING TIPS LOG ONTO [WWW.HITCHINFO.COM](http://WWW.HITCHINFO.COM)  
 HAVING INSTALLATION QUESTIONS? CALL TECHNICAL SUPPORT AT 1-877-287-8634



Parts List			
ITEM	QTY	PART NUMBER	DESCRIPTION
1	4	10-10564	HHCS, 1/2-13 UNC, 5, GRD5, ZP
2	4	30-00149	WASHER, S-CON, 1/2, YZ
3	2	CM-SP62	.250" SPACER PLATE
4	2	10-10287	BOLT, CAR, 1/2-13 UNC, 1-1/2, GRD8, YZ
5	2	20-00062	NUT, SER-FLANGE, 1/2-13 UNC, GRD8, YZ
6	2	11423-NPWA	NUT PLATE WELDMENT



TOOLS REQUIRED
RATCHET
TORQUE WRENCH
3/4" & 10mm SOCKET
9" EXSTENSION
T-25 AND T-30 TORXBIT
ROTARY CUTTING TOOL
MASKING TAPE
TAPE MEASURE
SILICONE CAULK
SAFETY GLASSES

HITCH WEIGHT: 40 LBS.

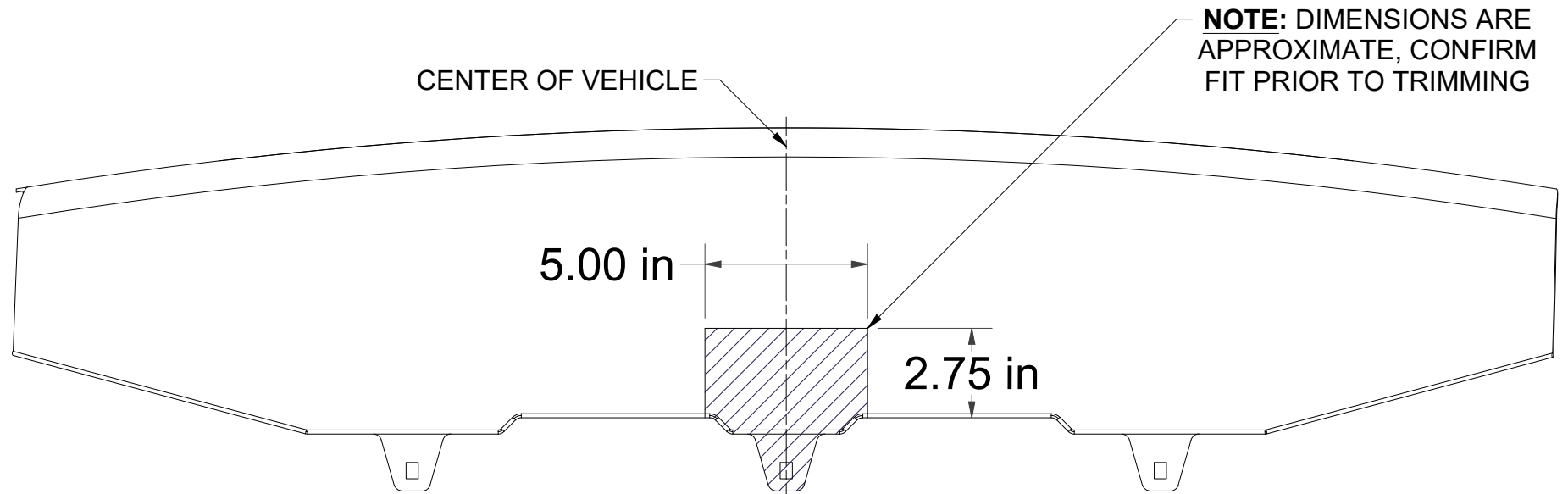
INSTALL TIME

PROFESSIONAL: 45 MINUTES

NOVICE (DIY): 90 MINUTES

INSTALL NOTES:

- NO DRILLING REQUIRED
- FASCIA TRIMMING REQUIRED



FASCIA TRIM DIAGRAM

**PERIODICALLY CHECK THIS RECEIVER HITCH TO ENSURE THAT ALL FASTENERS ARE TIGHT AND THAT ALL STRUCTURAL COMPONENTS ARE SOUND.**



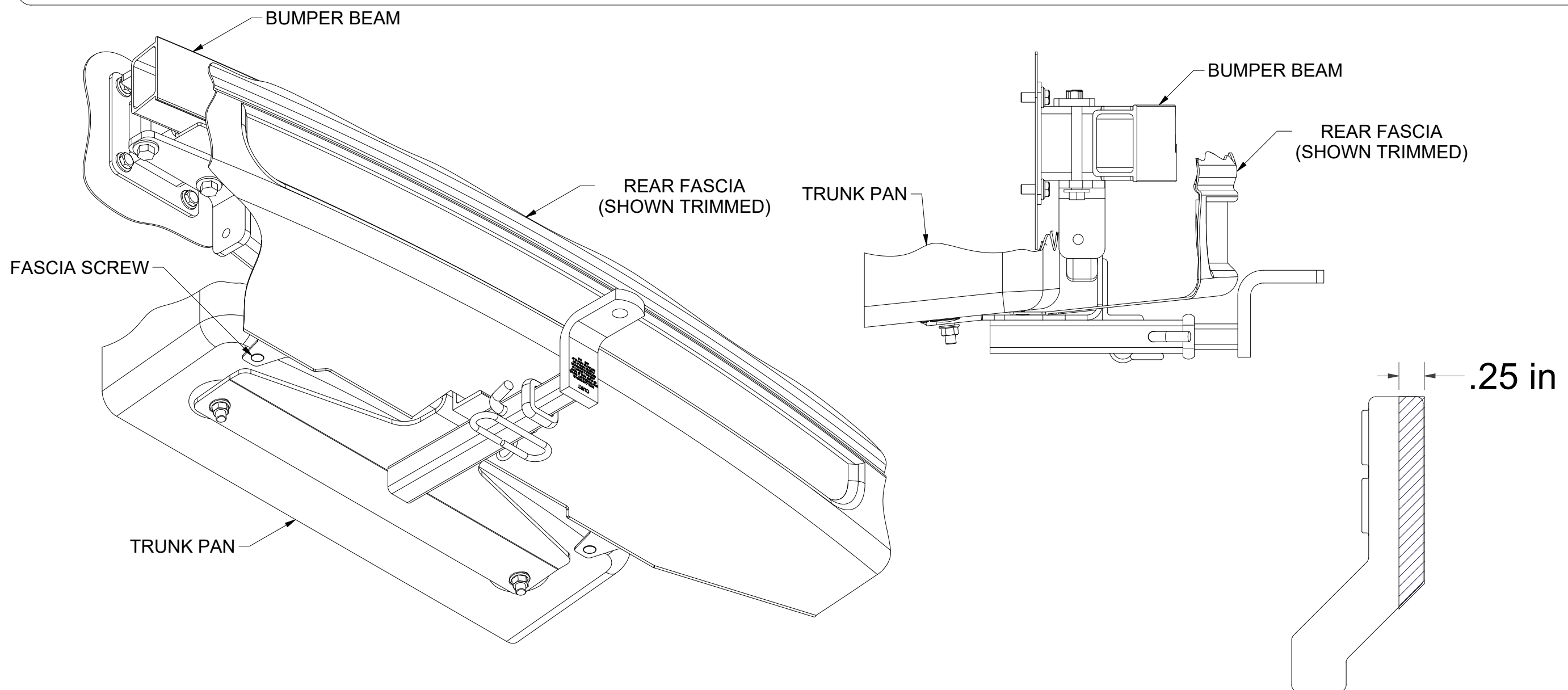
Scan for more information

CURT Manufacturing LLC., warrants this product to be free of defects in material and/or workmanship at the time of retail purchase by the original purchaser. If the product is found to be defective, CURT Manufacturing LLC., may repair or replace the product, at their option, when the product is returned, prepaid, with proof of purchase. Alteration to, misuse of, or improper installation of this product voids the warranty. CURT Manufacturing LLC.'s liability is limited to repair or replacement of products found to be defective, and specifically excludes liability for incidental or consequential loss or damage.

This product complies with safety specifications and requirements for connecting devices and towing systems of the state of New York, V.E.S.C.Regulation V-5 and SAE J684.



HAVING INSTALLATION QUESTIONS? CALL TECHNICAL SUPPORT AT 1-877-287-8634



HITCH SHOWN IN PROPER POSITION

FASCIA BRACKET TRIM DIAGRAM

## INSTALLATION STEPS

1. Remove the (3) fascia screws holding the rear plastic fascia to the bottom of the trunk pan. Retain (2) screws for reinstallation in Step 9 and return (1) screw to owner.  
**Note:** For 2016 models remove (4) inboard T-30 screws that retain exhaust tips (2) on each side.
2. Remove the spare tire from inside the trunk.
3. Remove the (2) rearmost rubber drain plugs from the bottom of the trunk pan and return to owner.  
**Note:** To ease installation lower exhaust by removing (2) nuts using 10mm socket from the exhaust bracket (1) on each side.
4. Mark and trim the rear fascia.  
**Note:** For vehicles equipped with kick sensor, use caution when trimming to avoid damaging the kick sensor.  
**Note:** For 2016 models use 10mm socket to remove (4) bolts (2) on each side to remove (2) fascia brackets (1) on each side from vehicle and trim for clearance as shown.  
**Note:** Dimensions are approximate, confirm fit prior to trimming.  
(See Fascia Trim Diagram)
5. Reattach trimmed fascia bracket. Gently flex the rear fascia and place the nut plates on top of the bumper beam supports.
6. Raise the hitch into position, aligning the slots in the hitch with the holes in the nut plates. Loosely secure the hitch into position using (4) 1/2-13 x 5" hex bolts and 1/2" conical toothed washers (2) each side.
7. Seal the drain holes in the trunk pan with silicone caulk. Insert a SP62 spacer and 1/2-13 x 1 1/2" carriage bolt into each of the drain holes and secure from below with 1/2" hex flange nuts.
8. Torque all 1/2-13 x 5" hex bolts to 75 ft-lbs. Torque all remaining 1/2" hardware to 110 ft-lbs.
9. Return the spare tire to the trunk.
10. Reinstall the (2) outer screws through the bumper fascia and into the trunk pan.

**PERIODICALLY CHECK THIS RECEIVER HITCH TO ENSURE THAT ALL FASTENERS ARE TIGHT AND THAT ALL STRUCTURAL COMPONENTS ARE SOUND.**

CURT Manufacturing LLC., warrants this product to be free of defects in material and/or workmanship at the time of retail purchase by the original purchaser. If the product is found to be defective, CURT Manufacturing LLC., may repair or replace the product, at their option, when the product is returned, prepaid, with proof of purchase. Alteration to, misuse of, or improper installation of this product voids the warranty. CURT Manufacturing LLC.'s liability is limited to repair or replacement of products found to be defective, and specifically excludes liability for incidental or consequential loss or damage.

This product complies with safety specifications and requirements for connecting devices and towing systems of the state of New York, V.E.S.C.Regulation V-5 and SAE J684.