

YEARS: 2016

MAKE: MERCEDES-BENZ

MODEL: E63 AMG S

STYLE: WAGON

WARNING: NEVER EXCEED YOUR VEHICLE MANUFACTURER'S RECOMMENDED TOWING CAPACITY

WEIGHT CARRYING:
 TRAILER WEIGHT: 2,000 LBS.
 TONGUE WEIGHT: 200 LBS.

WARNING:
 WE RECOMMEND THE USE OF 18050 STABILIZING STRAPS FOR ALL NON-TRAILER (WHEEL-LESS) LOADS. PLEASE SEE THE CURT CATALOG OR VISIT US ONLINE AT WWW.CURTMFG.COM FOR FURTHER INFORMATION.

PRO INSTALL TIME: 60 MIN.
NOVICE INSTALL TIME: 120 MIN.

IF YOU ARE HESITANT TO UNDERTAKE THIS TASK ON YOUR OWN, CONTACT AN AUTHORIZED CURT INSTALLER FOR ADDITIONAL ASSISTANCE.

INSTALLATION REQUIRES:

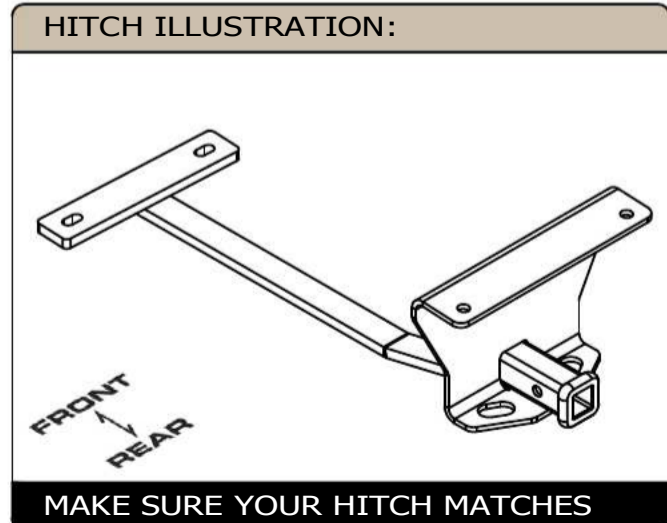
		10mm 16mm 17mm 3/4" SOCKET
	DRILL BIT 17/32"	UTILITY KNIFE
	MASKING TAPE	SCREW DRIVER

INSTALLATION TIPS:

- BEFORE YOU BEGIN INSTALLATION, READ ALL INSTRUCTIONS THOROUGHLY.
- TO EASE INSTALLATION, 2 PEOPLE MAY BE REQUIRED.
- USING PROPER TOOLS WILL GREATLY IMPROVE THE QUALITY OF THE INSTALL AND REDUCE THE TIME REQUIRED.
- NEED HELP OR HAVE SOME QUESTIONS? CALL TECHNICAL SUPPORT AT 877.287.8634

LEVEL OF DIFFICULTY: MODERATE

EASY	MODERATE	CHALLENGING
	DRILLING REQUIRED	
	FISHWIRE REQUIRED	
	REMOVE (2) BUMPER COVER FASTENERS	



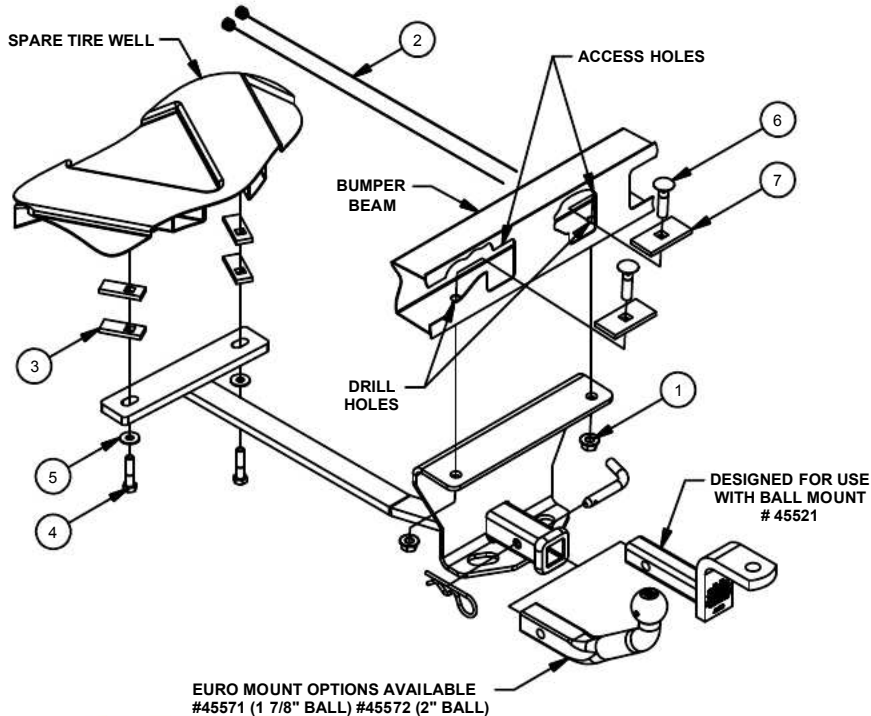
PERIODICALLY CHECK THIS RECEIVER HITCH TO ENSURE ALL FASTENERS ARE TIGHT AND ALL STRUCTURAL COMPONENTS ARE SOUND

CURT Manufacturing LLC. warrants this product to be free of defects in material and/or workmanship at the time of retail purchase by the original purchaser. If the product is found to be defective, CURT Manufacturing LLC. may repair or replace the product at their option, when the product is returned, prepaid, with proof of purchase. Alteration to, misuse of, or improper installation of this product voids the warranty. CURT Manufacturing LLC.'s liability is limited to repair or replacement of products found to be defective, and specifically excludes liability for incidental or consequential loss or damage.

For more information log onto www.curtmfg.com, & for helpful towing tips log onto www.hitchinfo.com

INSTALLATION WALKTHROUGH:

Parts List			
ITEM	QTY	PART NUMBER	DESCRIPTION
1	2	HFN 1213	HEX FLANGE NUT
2	2	1_2 FISHWIRE	1/2" FISHWIRE
3	4	CM-SP2	.250 x .88 x 2.25" SQUARE HOLE SPACER
4	2	M10 - 1.5 x 45 10.9 mm	HEX BOLT
5	2	3/8"	CONICAL TOOTHED WASHER
6	2	1/2 - 13 x 2"	CARRIAGE BOLT
7	2	CM-SP4	.250 x 1.50 x 3.00" SQUARE HOLE SPACER



FISHWIRE TECHNIQUE
 INSERT COILED END OF FISHWIRE TOOL THROUGH HITCH MOUNTING HOLE IN VEHICLE FRAME RAIL AND OUT THE ACCESS HOLE. PASS COILED END OF FISHWIRE THROUGH SPACER AND THREAD BOLT INTO COIL. KINK WIRE TO KEEP SPACER SEPERATE FROM BOLT AS SHOWN. PULL FISHWIRE, SPACER, AND BOLT THROUGH FRAME AND OUT MOUNTING HOLE. USE FISHWIRE TO GUIDE HITCH DURING MOUNTING AND PREVENT LOSS OF BOLT / SPACER INSIDE FRAME RAIL.

ACCESS HOLE
MOUNTING HOLE

FRONT
REAR

NOTE: SOME VEHICLES MAY FISHWIRE THROUGH END OF FRAME

1. Remove the (2) fasteners attaching the bottom of the bumper cover to the center of the car using a 10mm socket.



2. Remove the plastic underbody panel for trimming by removing (6) plastic retainer nuts with a 10mm socket.
3. Mark the underbody panel and trim with a utility knife as shown in the diagram below. Re-install when completed.



INSTALLATION WALKTHROUGH:

4. Remove the (2) rearmost bolts in the vehicle stiffening struts. Raise hitch into position and loosely install the supplied 10mm hex bolts, 3/8" conical washers and CM-SP2 spacers as shown below.



5. Press hitch against the bottom of the bumper beam, with the hitch centered, using the hitch as a template mark hole locations with a center punch. Lower hitch and drill hole locations with 17/32" drill bit.



6. Fishwire 1/2" x 2" carriage bolts and CM-SP4 spacers through the access holes between the fascia and the back of the bumper beam and out the holes drilled in Step 5. Raise hitch into position and secure with 1/2" flange nuts.



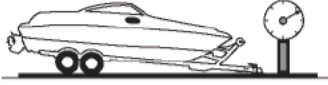
7. Using a 3/4" socket, torque 1/2" hardware to 110 lb-ft. Using a 17mm socket, torque M10-1.50 hardware to 56 lb-ft. Reinstall the (2) bumper cover fasteners removed in step 1.



TOWING SAFETY INFORMATION

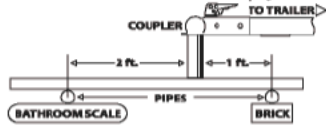
Gross Trailer Weight / GTW

The Gross Trailer Weight is the weight of the trailer & cargo. Measure this by putting the fully loaded trailer on a vehicle scale.



Tongue Weight / TW

The downward force that is exerted on the hitch ball by the coupler. The tongue weight will vary depending on where the load is positioned in relationship to the trailer axle(s). To measure the tongue weight, use either a commercial scale or a bathroom scale with the coupler at towing height. When using a bathroom scale with heavier tongue weights, use the method shown and multiply the scale reading by 3.



Weight Carrying / WC

The total weight of both the trailer and the cargo inside. Never exceed the weight capacity of your trailer hitch.

Weight Distribution / WD

Used to balance the weight of the cargo between the front and rear wheels throughout the trailer, allowing for better steering, braking, and level riding.



Sway Control

A device used to reduce the lateral movements of the trailer that are caused by the wind. This works in conjunction with a weight distribution hitch. Do not use this on a class 1 or 2 hitch, or with surge brakes.

How Much Can You Safely Tow?

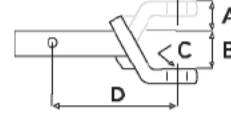
TONGUE WEIGHT lbs	1000	2000	3000	4000	5000	6000	7000	8000	10,000	12,000
Tongue weight should be about 10 to 15 percent of the gross trailer weight.										
CLASS 1										
CLASS 2										
CLASS 3										
CLASS 4										
CLASS 5										
TRAILER TYPE	11'	12'	13'	14'	15'	16'				
Camper	1100	1200	1300	1400	1500	1600				
Vacation	2100	2400	2700	3000	3300	3600	3900	4200	4500	4800
Vacation	2800	3200	3600	4000	4400	4800	5200	5600	6000	6400
5th Wheel										

Refer to owner's manual for towing capabilities and limitations.

Ball Mount

The ball mount is placed inside the opening of the receiver hitch which is mounted to the vehicle. Make sure a hitch pin and clip is properly securing the ball mount to the receiver hitch before you begin towing.

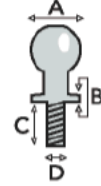
- A: Rise. B: Drop. C: Hole Size. D: Length.



Trailer Ball

The connection from the hitch to the trailer. There are many factors that determine the correct hitch ball:

- Number one is the hitch ball's gross trailer weight rating.
- The mounting platform must be at least 3/8" thick.
- The hole diameter must not be more than 1/16" larger than the threaded shank.
- Every time you tow, check the nut and lock washer to make sure they are fastened securely.
- A: Ball Dia. B: Shank Dia. C: Shank Length. D: Shank Rise.



Coupler

The component that is placed over the trailer ball to connect the vehicle to the trailer. Be sure that the coupler size matches the size of the hitch ball and that the coupler handle is securely fastened. To determine what size hitch ball you need for your application you will need to know the size of coupler that is on the trailer. Be sure your coupler is properly adjusted to the ball you are using.

NOTE: For added security the use of safety devices such as Coupler Safety Pins and Locks is strongly recommended.

Safety Chains

Safety chains are a requirement and should be crossed under the tongue of the trailer so that the tongue will not drop to the road if it becomes separated from the hitch. Always leave enough slack so you can turn. Never allow the safety chains to drag on the ground and never attach the chains to the bumper.

Trailer Classification: Safety Chain Breaking Force - Minimum

Class 1: 2,000 lbs. (8.9 kN)

Class 2: 3,500 lbs. (15.6 kN)

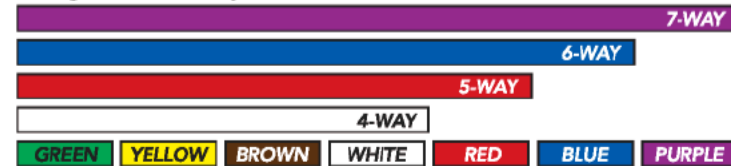
Class 3: 5,000 lbs. (22.2 kN)

The strength rating of each length of safety chain or its equivalent and its attachments shall be equal to or exceed in minimum breaking force the GVWR (Gross Vehicle Weight Rating) of the trailer.

Electrical

Trailer lights, Electric Brakes, Break-away systems - Every time you tow, be sure to check that all components are working properly.

Wiring identification by color:



11413

MERCEDES BENZ E63 AMG S WAGON

6/22/2015

GROSS LOAD CAPACITY WHEN USED AS A WEIGHT CARRYING HITCH: 2,000 LBS. TRAILER WEIGHT & 200 LBS. TONGUE WEIGHT.

DO NOT EXCEED VEHICLE MANUFACTURER'S RECOMMENDED TOWING CAPACITY.

WARNING: ALL NON-TRAILER LOADS APPLIED TO THIS PRODUCT MUST BE SUPPORTED BY 18050 STABILIZING STRAPS.

** FAILURE TO PROPERLY SUPPORT NON-TRAILER LOADS WILL VOID PRODUCT WARRANTY**

HAVING INSTALLATION QUESTIONS? CALL TECHNICAL SUPPORT AT 1-877-287-8634

		Parts List	
ITEM	QTY	PART NUMBER	DESCRIPTION
1	2	HFN 1213	HEX FLANGE NUT
2	2	1_2 FISHWIRE	1/2" FISHWIRE
3	4	CM-SP2	.250 x .88 x 2.25" SQUARE HOLE SPACER
4	2	M10 - 1.5 x 45 10.9 mm	HEX BOLT
5	2	3/8"	CONICAL TOOTHED WASHER
6	2	1/2 - 13 x 2"	CARRIAGE BOLT
7	2	CM-SP4	.250 x 1.50 x 3.00" SQUARE HOLE SPACER

TOOLS REQUIRED
RATCHET
TORQUE WRENCH
(10, 16, 17)mm, 3/4" SOCKET
KNIFE
TAPE
TAPE MEASURE
DRILL & 17/32" DRILL BIT
CENTER PUNCH
STRAIGHT SCREW DRIVER

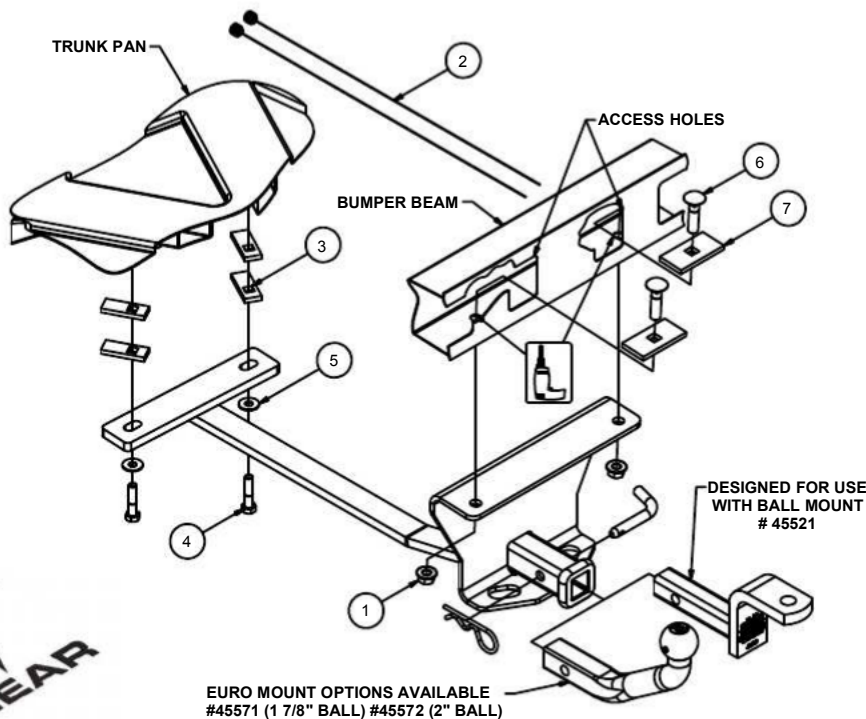
FISHWIRE TECHNIQUE

INSERT COILED END OF FISHWIRE TOOL THROUGH HITCH MOUNTING HOLE IN VEHICLE FRAME RAIL AND OUT THE ACCESS HOLE. PASS COILED END OF FISHWIRE THROUGH SPACER AND THREAD BOLT INTO COIL. KINK WIRE TO KEEP SPACER SEPARATE FROM BOLT AS SHOWN. PULL FISHWIRE, SPACER, AND BOLT THROUGH FRAME AND OUT MOUNTING HOLE. USE FISHWIRE TO GUIDE HITCH DURING MOUNTING AND PREVENT LOSS OF BOLT / SPACER INSIDE FRAME RAIL.

NOTE: SOME VEHICLES MAY FISHWIRE THROUGH END OF FRAME



UNDERBODY PANEL TRIM DIAGRAM (TRIM BOTH RECESSES)



HITCH WEIGHT: 26 LBS.

INSTALL TIME

PROFESSIONAL: 60 MINUTES

NOVICE (DIY): 120 MINUTES

INSTALL NOTES:

- DRILLING REQUIRED
- FISHWIRE HARDWARE
- REMOVE UNDERBODY PANEL

INSTALLATION STEPS

1. Remove the (2) fasteners attaching the bottom of the bumper cover to the center of the car using a 10mm socket.
2. Remove the plastic underbody panel for trimming by removing (6) plastic retainer nuts with a 10mm socket.
3. Mark the underbody panel and trim with a utility knife as shown in the diagram above. Re-install when completed.
4. Remove the (2) rearmost bolts in the vehicle stiffening struts. Raise hitch into position and loosely install the supplied 10mm hex bolts, 3/8" conical washers and CM-SP2 spacers as shown above.
5. Press hitch against the bottom of the bumper beam, with the hitch centered, using the hitch as a template mark hole locations with a center punch. Lower hitch and drill hole locations with 17/32" drill bit.
6. Fishwire 1/2-13 x 2" carriage bolts and CM-SP4 spacers through the access holes between the fascia and the back of the bumper beam and out the holes drilled in Step 5. Raise hitch into position and secure with 1/2-13 flange nuts.
7. Using a 3/4" socket, torque 1/2" hardware to 110 lb-ft. Using a 17mm socket, torque M10-1.50 hardware to 56 lb-ft. Reinstall the (2) bumper cover fasteners removed in step 1.



Scan for more information

PERIODICALLY CHECK THIS RECEIVER HITCH TO ENSURE THAT ALL FASTENERS ARE TIGHT AND THAT ALL STRUCTURAL COMPONENTS ARE SOUND.

CURT Manufacturing LLC., warrants this product to be free of defects in material and/or workmanship at the time of retail purchase by the original purchaser. If the product is found to be defective, CURT Manufacturing LLC., may repair or replace the product, at their option, when the product is returned, prepaid, with proof of purchase. Alteration to, misuse of, or improper installation of this product voids the warranty. CURT Manufacturing LLC.'s liability is limited to repair or replacement of products found to be defective, and specifically excludes liability for incidental or consequential loss or damage.