

YEARS: 2011- PRESENT

MAKE: BMW

MODEL: SELECT 2-SERIES, 3-SERIES, 4-SERIES

STYLE: SEDAN

**WARNING: NEVER EXCEED YOUR VEHICLE MANUFACTURER'S RECOMMENDED TOWING CAPACITY**

**WEIGHT CARRYING:**  
 TRAILER WEIGHT: 2000 LBS.  
 TONGUE WEIGHT: 200 LBS.

**WARNING:**  
 WE RECOMMEND THE USE OF 18050 STABILIZING STRAPS FOR ALL NON-TRAILER (WHEEL-LESS) LOADS. PLEASE SEE THE CURT CATALOG OR VISIT US ONLINE AT [WWW.CURTMFG.COM](http://WWW.CURTMFG.COM) FOR FURTHER INFORMATION.

**PRO INSTALL TIME: 45 MIN.**  
**NOVICE INSTALL TIME: 90 MIN.**

IF YOU ARE HESITANT TO UNDERTAKE THIS TASK ON YOUR OWN, CONTACT AN AUTHORIZED CURT INSTALLER FOR ADDITIONAL ASSISTANCE.

- INSTALLATION TIPS:**
- BEFORE YOU BEGIN INSTALLATION, READ ALL INSTRUCTIONS THOROUGHLY.
  - TO EASE INSTALLATION, 2 PEOPLE MAY BE REQUIRED.
  - USING PROPER TOOLS WILL GREATLY IMPROVE THE QUALITY OF THE INSTALL AND REDUCE THE TIME REQUIRED.
  - NEED HELP OR HAVE SOME QUESTIONS? CALL TECHNICAL SUPPORT AT 877.287.8634

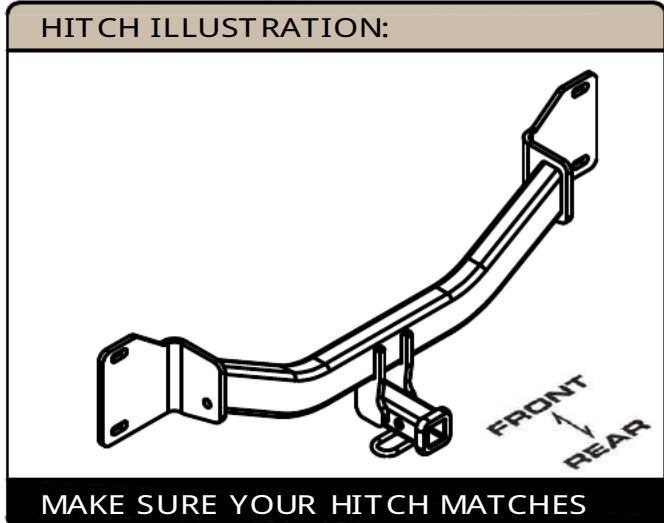


**INSTALLATION REQUIRES:**

TORQUE WRENCH	18mm 10mm 8mm SOCKET	SAFETY GLASSES
RATCHET	T20 TORXBIT SOCKET	SOCKET EXTENSION

**LEVEL OF DIFFICULTY: CHALLENGING**

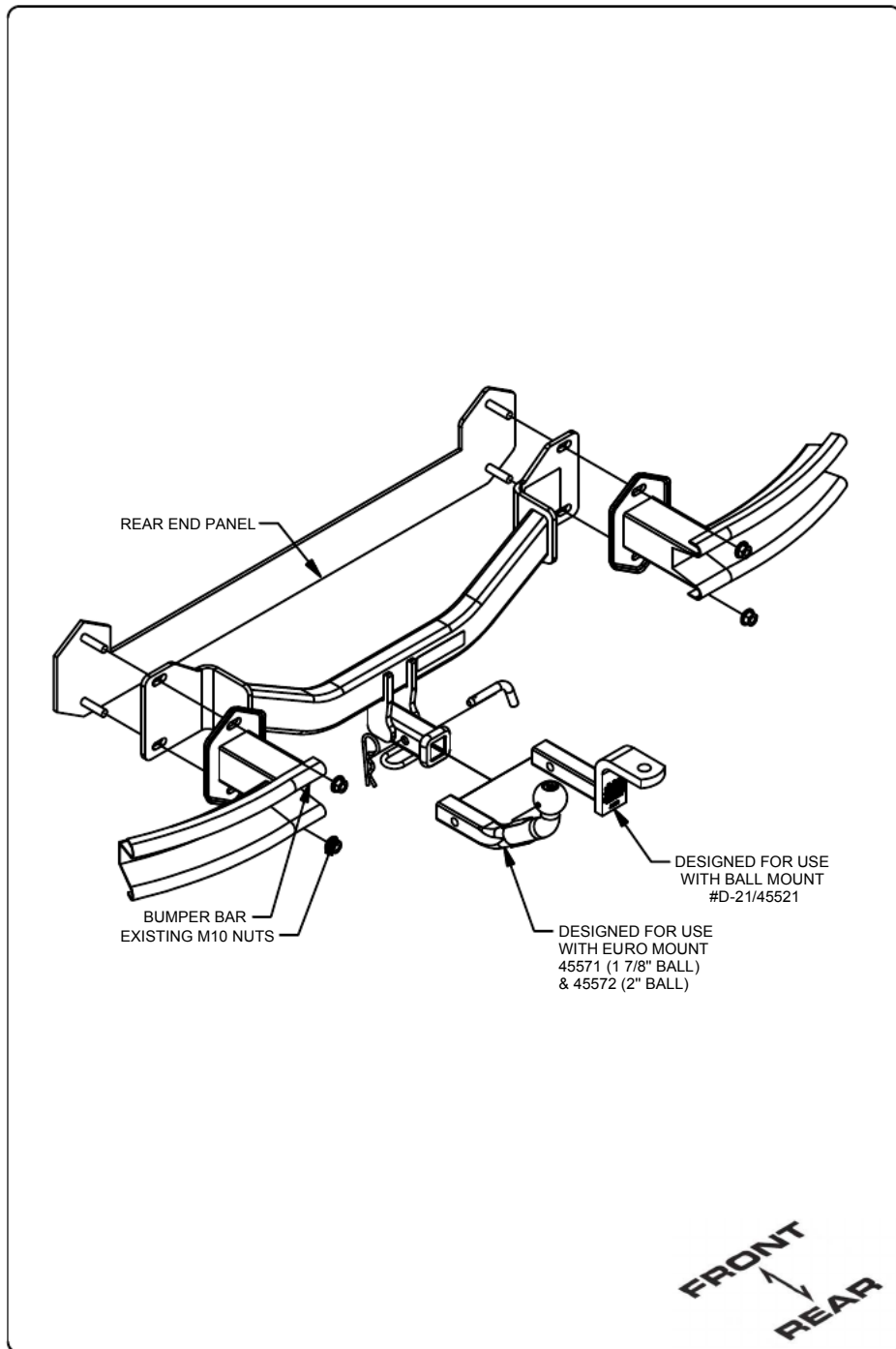
EASY	MODERATE	CHALLENGING
NO DRILLING REQUIRED		
PART REMOVAL		



PERIODICALLY CHECK THIS RECEIVER HITCH TO ENSURE ALL FASTENERS ARE TIGHT AND ALL STRUCTURAL COMPONENTS ARE SOUND

CURT Manufacturing LLC. warrants this product to be free of defects in material and/or workmanship at the time of retail purchase by the original purchaser. If the product is found to be defective, Curt Manufacturing LLC. may repair or replace the product at their option, when the product is returned, prepaid, with proof of purchase. Alteration to, misuse of, or improper installation of this product voids the warranty. Curt Manufacturing LLC.'s liability is limited to repair or replacement of products found to be defective, and specifically excludes liability for incidental or consequential loss or damage.

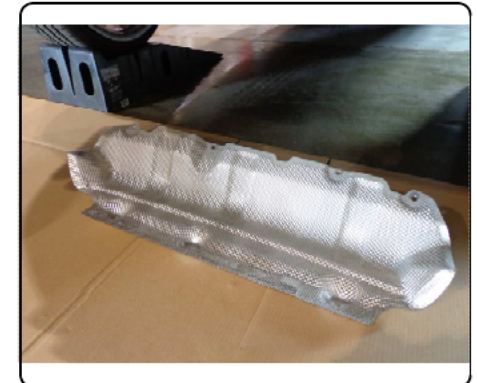
## INSTALLATION WALKTHROUGH:



1. Open the trunk and remove the tail lights. Use an 8mm socket to remove (2) screws behind the plastic covers in the trunk well.



2. Remove heat shield by using an 8mm socket to remove (4) bolts from just below the bumper cover and a 10mm socket to remove (3) bolts from just above the exhaust. Return heat shield and fasteners to vehicle owner.

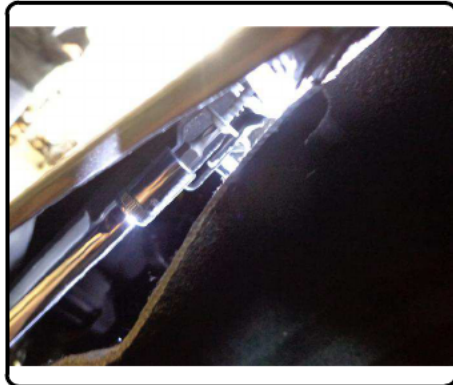


## INSTALLATION WALKTHROUGH:

3. Remove splash guards from both sides of the vehicle by using a 8mm socket to remove (4) bolts from each side.



4. Unscrew the rearmost end of both wheel wells using 8mm and 10mm sockets. Pull wheel well back to reveal a T20 Torx screw and remove it from both sides.



5. Remove bumper cover by using a 10mm socket to remove (5) bolts from the bottom edge of the cover and the top edge near where the tail lights were removed in Step 1.

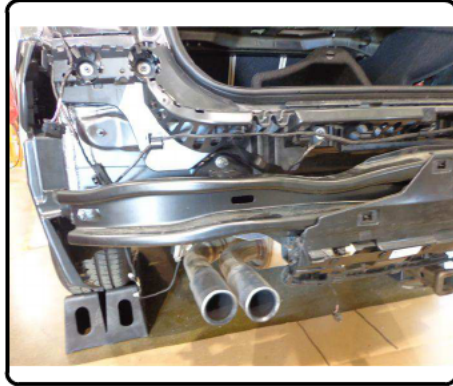


6. Remove the bumper beam from the vehicle by using an 18mm socket to remove (4) nuts (2 nuts on each side). Before completely removing the bumper beam, be sure to disconnect any wiring that may be present with options installed on your vehicle.



## INSTALLATION WALKTHROUGH:

7. Slide hitch onto the rear panel studs and reinstall bumper beam onto studs using existing fasteners. Torque all M10 nuts to 89 ft. lbs.



8. Reinstall bumper cover, splash guards, and tail lights by following Steps 1-5 in reverse.



9. Installation complete.



## TOWING SAFETY INFORMATION

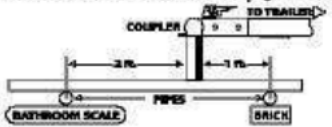
### Gross Trailer Weight / GTW

The Gross Trailer Weight is the weight of the trailer & cargo. Measure this by putting the fully loaded trailer on a vehicle scale.



### Tongue Weight / TW

The downward force that is exerted on the hitch ball by the coupler. The tongue weight will vary depending on where the load is positioned in relationship to the trailer axle(s). To measure the tongue weight, use either a commercial scale or a bathroom scale with the coupler at towing height. When using a bathroom scale with heavier tongue weights, use the method shown and multiply the scale reading by 3.



### Weight Carrying / WC

The total weight of both the trailer and the cargo inside. Never exceed the weight capacity of your trailer hitch.

### Weight Distribution / WD

Used to balance the weight of the cargo between the front and rear wheels throughout the trailer, allowing for better steering, braking, and level riding.



### Sway Control

A device used to reduce the lateral movements of the trailer that are caused by the wind. This works in conjunction with a weight distribution hitch. Do not use this on a class 1 or 2 hitch, or with surge brakes.

### How Much Can You Safely Tow?

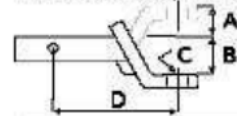
TONGUE WEIGHT (lb.)	CLASS 1	CLASS 2	CLASS 3	CLASS 4	CLASS 5	CLASS 6	CLASS 7	CLASS 8	CLASS 9
1000	1100	1200	1300	1400	1500	1600			
1500									
2000									
2500									
3000									
3500									
4000									
4500									
5000									
5500									
6000									
6500									
7000									
7500									
8000									
8500									
9000									
9500									
10000									

Refer to owner's manual for towing capabilities and limitations.

### Ball Mount

The ball mount is placed inside the opening of the receiver hitch which is mounted to the vehicle. Make sure a hitch pin and clip is properly securing the ball mount to the receiver hitch before you begin towing.

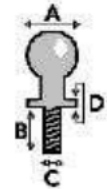
• A: Rise, B: Drop, C: Hole Size, D: Length.



### Trailer Ball

The connection from the hitch to the trailer. There are many factors that determine the correct hitch ball:

- Number one is the hitch ball's gross trailer weight rating.
- The mounting platform must be at least 3/8" thick.
- The hole diameter must not be more than 1/16" larger than the threaded shank.
- Every time you tow, check the nut and lock washer to make sure they are fastened securely.
- A: Ball Dia, B: Shank Length, C: Shank Dia, D: Shank Rise.



### Coupler

The component that is placed over the trailer ball to connect the vehicle to the trailer. Be sure that the coupler size matches the size of the hitch ball and that the coupler handle is securely fastened. To determine what size hitch ball you need for your application you will need to know the size of coupler that is on the trailer. Be sure your coupler is properly adjusted to the ball you are using.

NOTE: For added security the use of safety devices such as Coupler Safety Pins and Locks is strongly recommended.

### Safety Chains

Safety chains are a requirement and should be crossed under the tongue of the trailer so that the tongue will not drop to the road if it becomes separated from the hitch. Always leave enough slack so you can turn. Never allow the safety chains to drag on the ground and never attach the chains to the bumper.

Trailer Classification: Safety Chain Breaking Force - Minimum

Class 1: 2,000 lbs. (8.9 kN)

Class 2: 3,500 lbs. (15.6 kN)

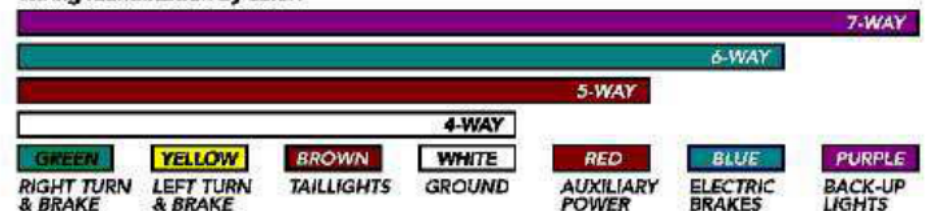
Class 3: 5,000 lbs. (22.2 kN)

The strength rating of each length of safety chain or its equivalent and its attachments shall be equal to or exceed in minimum breaking force the GVWR (Gross Vehicle Weight Rating) of the trailer.

### Electrical

Trailer lights, Electric Brakes, Break-away systems - Every time you tow, be sure to check that all components are working properly.

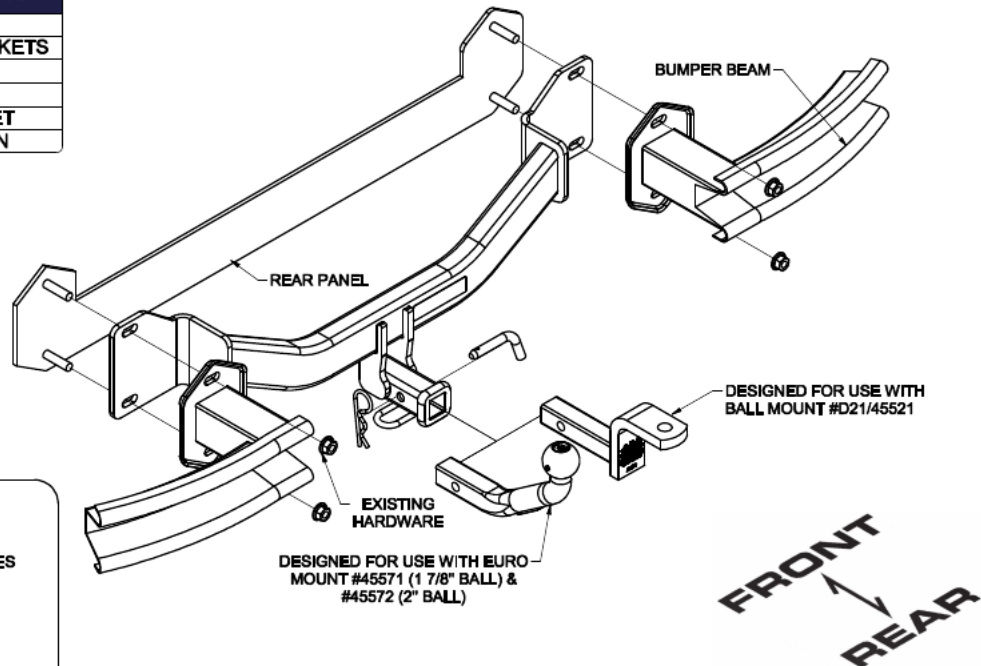
Wiring identification by color:



CURT DISCLAIMER: WIRING COLOR SHOWN WORK IN CONJUNCTION WITH CURT MANUFACTURING PRODUCTS.

**11367****BMW SELECT 2-SERIES, 3-SERIES, 4-SERIES****8/1/2019****GROSS LOAD CAPACITY WHEN USED AS A WEIGHT CARRYING HITCH: 2000 LBS. TRAILER WEIGHT & 200LBS. TONGUE WEIGHT.****\*\*\*DO NOT EXCEED VEHICLE MANUFACTURER'S RECOMMENDED TOWING CAPACITY.\*\*\*****WARNING: ALL NON-TRAILER LOADS APPLIED TO THIS PRODUCT MUST BE SUPPORTED BY 18050 STABILIZING STRAPS.****\*\* FAILURE TO PROPERLY SUPPORT NON-TRAILER LOADS WILL VOID PRODUCT WARRANTY\*\*****HAVING INSTALLATION QUESTIONS? CALL TECHNICAL SUPPORT AT 1-800-798-0813**

TOOLS REQUIRED
TORQUE WRENCH
18mm, 10mm, 8mm, SOCKETS
SAFETY GLASSES
RATCHET
T20 TORXBIT SOCKET
SOCKET EXTENSION

**HITCH WEIGHT: 20 LBS.****INSTALL TIME**PROFESSIONAL: 45 MINUTESNOVICE (DIY): 90 MINUTES**INSTALL NOTES:**

- USE EXISTING HARDWARE
- NO DRILLING REQUIRED

**INSTALLATION STEPS**

1. Open the trunk and remove the tail lights. Use an 8mm socket to remove (2) screws behind the plastic covers in the trunk well.
2. Remove heat shield by using an 8mm socket to remove (4) bolts from just below the bumper cover and a 10mm socket to remove (3) bolts from just above the exhaust. Return heat shield and fasteners to vehicle owner.
3. Remove splash guards from both sides of the vehicle by using an 8mm socket to remove (4) bolts from each side.
4. Unscrew the rearmost end of both wheel wells using 8mm and 10mm sockets. Pull wheel well back to reveal a T20 Torx screw and remove it from both sides.
5. Remove bumper cover by using a 10mm socket to remove (5) bolts from the bottom edge of the cover and the top edge near where the tail lights were removed in Step 1.
6. Remove the bumper beam from the vehicle by using an 18mm socket to remove (4) nuts (2 nuts per side). Before completely removing the bumper beam, be sure to disconnect any wiring that may be present with options installed on your vehicle.
7. Slide hitch onto the rear panel studs and reinstall bumper beam onto studs using existing fasteners. Torque all M10 nuts to 89 ft. lbs.
8. Reinstall bumper cover, splash guards, and tail lights by following Steps 1-5 in reverse.

**PERIODICALLY CHECK THIS RECEIVER HITCH TO ENSURE THAT ALL FASTENERS ARE TIGHT AND THAT ALL STRUCTURAL COMPONENTS ARE SOUND.**

Curt Manufacturing LLC., warrants this product to be free of defects in material and/or workmanship at the time of retail purchase by the original purchaser. If the product is found to be defective, Curt Manufacturing LLC., may repair or replace the product, at their option, when the product is returned, prepaid, with proof of purchase. Alteration to, misuse of, or improper installation of this product voids the warranty. Curt Manufacturing LLC.'s liability is limited to repair or replacement of products found to be defective, and specifically excludes liability for incidental or consequential loss or damage.