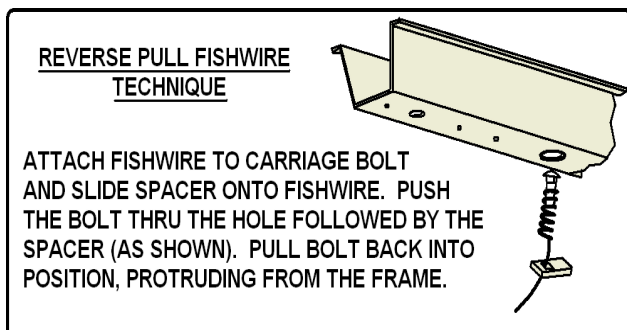


**11359****MAZDA 6****10/22/2020**

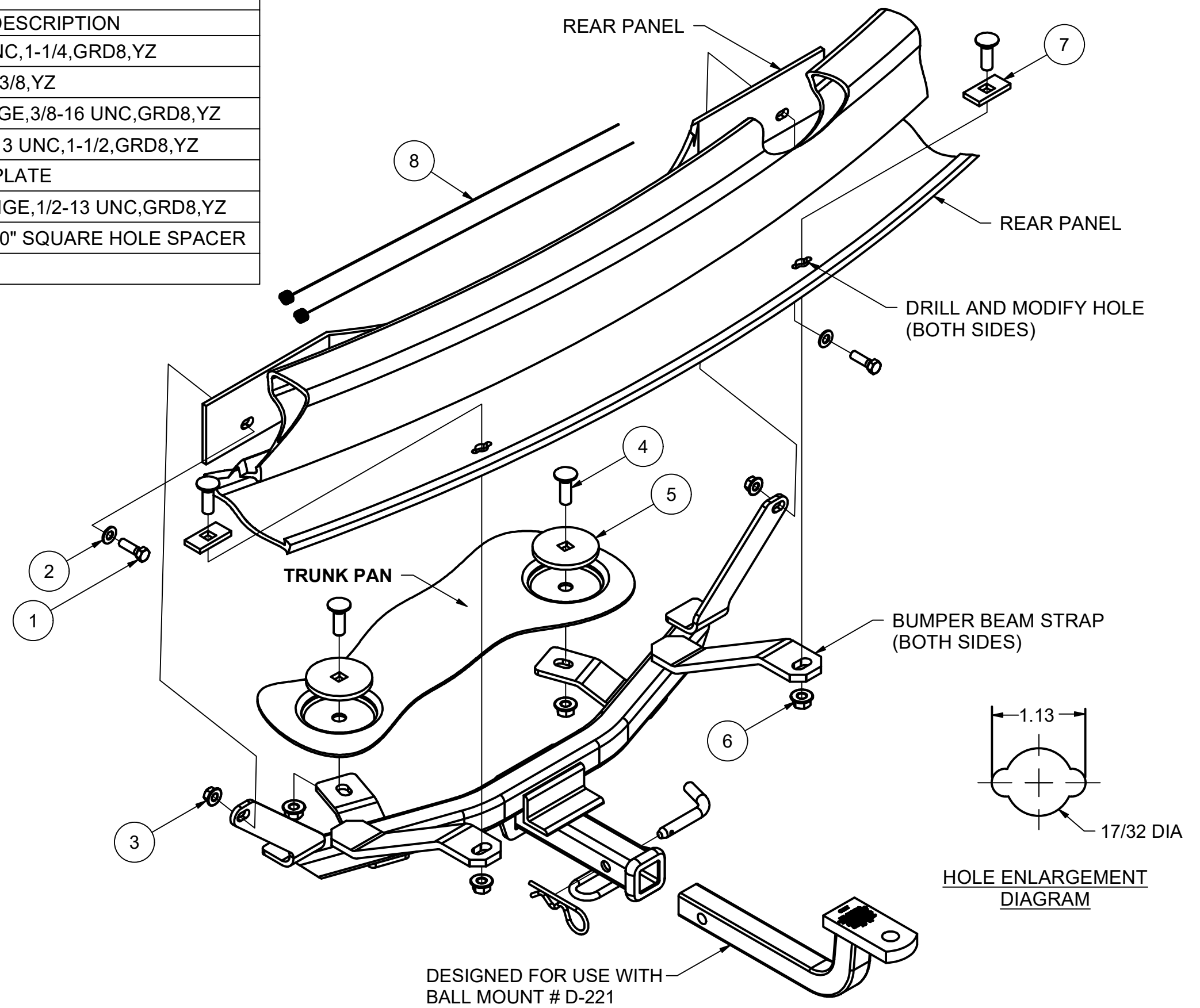
**GROSS LOAD CAPACITY WHEN USED AS A WEIGHT CARRYING HITCH: 2,000 LBS. TRAILER WEIGHT & 200 LBS. TONGUE WEIGHT.**  
**\*\*\*DO NOT EXCEED VEHICLE MANUFACTURER'S RECOMMENDED TOWING CAPACITY.\*\*\***

Parts List			
ITEM	QTY	PART NUMBER	DESCRIPTION
1	2	10-10339	HHCS,3/8-16 UNC,1-1/4,GRD8,YZ
2	2	30-00186	WASHER,FLAT,3/8,YZ
3	2	20-00102	NUT,SER-FLANGE,3/8-16 UNC,GRD8,YZ
4	4	10-10287	BOLT,CAR,1/2-13 UNC,1-1/2,GRD8,YZ
5	2	CM-SP62	.250" SPACER PLATE
6	4	20-00062	NUT, SER-FLANGE,1/2-13 UNC,GRD8,YZ
7	2	CM-SP12	.250 x 1.00 x 2.00" SQUARE HOLE SPACER
8	2	1_2 FISHWIRE	1/2" FISHWIRE

TOOLS REQUIRED	
17/32" DRILL BIT	
DRILL	
9/16" WRENCH	
9/16" & 3/4" SOCKET	
RATCHET	
CARBIDE BIT	
ROTARY TOOL	
TORQUE WRENCH	



HITCH WEIGHT: 29 LBS.  
 INSTALL TIME: 45 MINUTES  
 INSTALL NOTES:  
 - DRILLING REQUIRED  
 - FISHWIRE HARDWARE  
 - REMOVE EXHAUST ON S MODELS



## INSTALLATION STEPS

**Note:** On "s" models with dual mufflers, the driver side muffler must be unbolted at the flange, removed from the hanger and lowered for ease of installation. On "i" models lower the exhaust by removing the rearmost rubber isolator from the hanger.

- 1) Remove the 2 rubber plugs from spare tire well.
- 2) Place a CM-SP62 spacer plate and 1/2-13 carriage bolt in each hole in the spare tire well as shown.
- 3) Raise the hitch into position and fasten it with a 1/2" flange nut at each carriage bolt installed in Step 2. Secure the hitch at the body mount straps using the supplied 3/8-16 hardware as shown. (Do not tighten fasteners until the next step.)
- 4) Snug fasteners so the hitch will not move. Using the hitch as a template, mark the holes in the rear panel and then remove the hitch. Drill the holes using a 17/32" drill bit and modify using a carbide bit and rotary tool to allow insertion of the 1/2" carriage bolt and CM-SP12 spacer. (See Hole Enlargement Diagram.)
- 5) Reverse fishwire a 1/2-13 carriage bolt and CM-SP12 spacer into each hole. (See Reverse Pull Fishwire Technique.)
- 6) Raise the hitch into position and secure using the provided hardware.
- 7) Torque all 3/8" fasteners to 45 lb-ft. and all 1/2" fasteners to 110 lb-ft.
- 8) Use silicone caulk (or equivalent) to seal the holes from exhaust fumes and water.
- 9) Replace muffler removed in Step 1.

**PERIODICALLY CHECK THIS RECEIVER HITCH TO ENSURE THAT ALL FASTENERS ARE TIGHT AND THAT ALL STRUCTURAL COMPONENTS ARE SOUND.**

Curt Manufacturing Inc., warrants this product to be free of defects in material and/or workmanship at the time of retail purchase by the original purchaser. If the product is found to be defective, Curt Manufacturing Inc., may repair or replace the product, at their option, when the product is returned, prepaid, with proof of purchase. Alteration to, misuse of, or improper installation of this product voids the warranty. Curt Manufacturing Inc.'s liability is limited to repair or replacement of products found to be defective, and specifically excludes liability for incidental or consequential loss or damage.