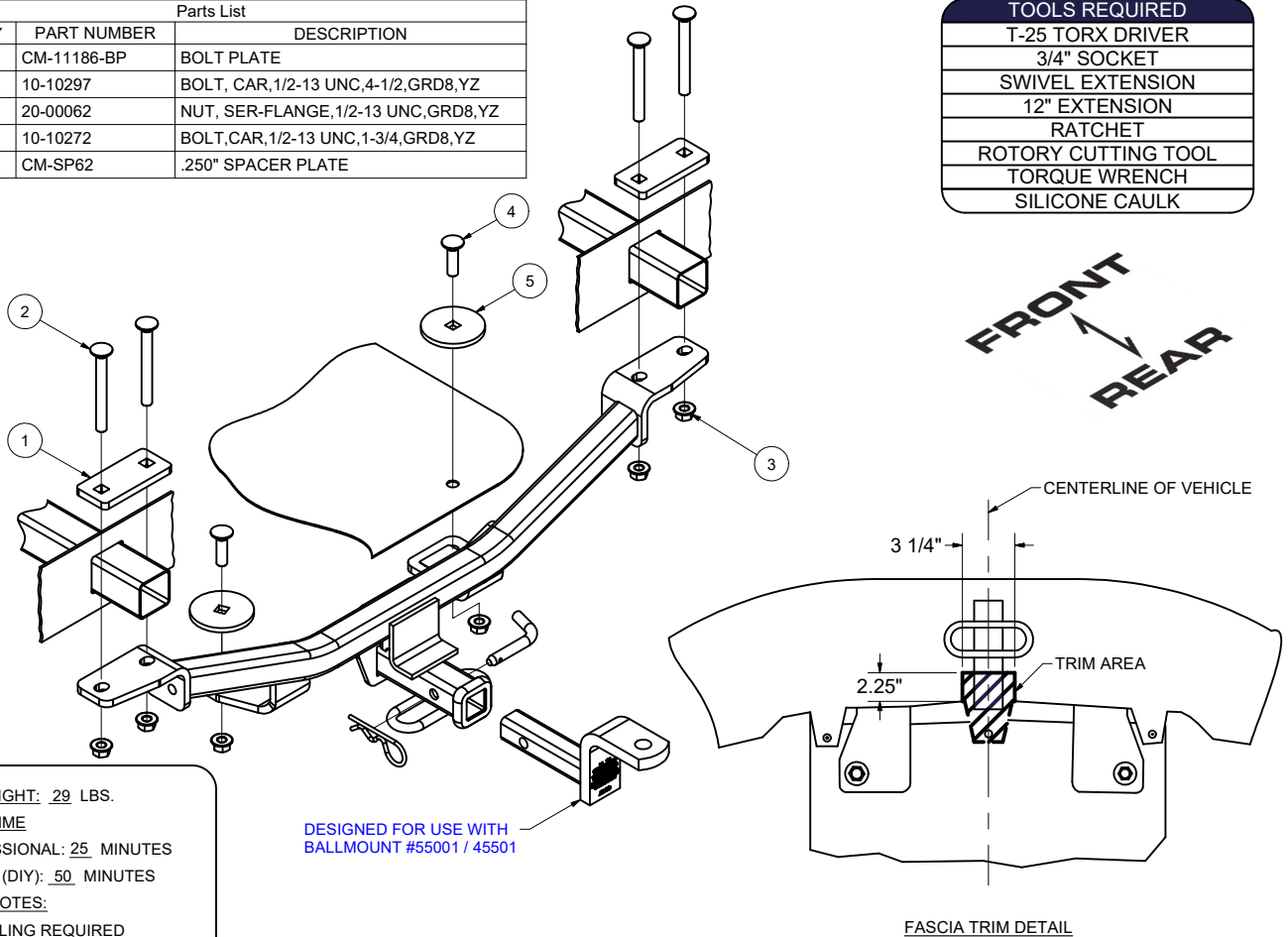


11186**AUDI A4 SEDAN****6/18/2020****GROSS LOAD CAPACITY WHEN USED AS A WEIGHT CARRYING HITCH: 2,000 LBS. TRAILER WEIGHT & 200 LBS. TONGUE WEIGHT.*******DO NOT EXCEED VEHICLE MANUFACTURER'S RECOMMENDED TOWING CAPACITY.*******WARNING: ALL NON-TRAILER LOADS APPLIED TO THIS PRODUCT MUST BE SUPPORTED BY AUXILIARY STABILIZING STRAPS.****** FAILURE TO PROPERLY SUPPORT NON-TRAILER LOADS WILL VOID PRODUCT WARRANTY******HAVING INSTALLATION QUESTIONS? CALL TECHNICAL SUPPORT AT 1-877-287-8634**

		Parts List	
ITEM	QTY	PART NUMBER	DESCRIPTION
1	2	CM-11186-BP	BOLT PLATE
2	4	10-10297	BOLT, CAR, 1/2-13 UNC, 4-1/2, GRD8, YZ
3	6	20-00062	NUT, SER-FLANGE, 1/2-13 UNC, GRD8, YZ
4	2	10-10272	BOLT, CAR, 1/2-13 UNC, 1-3/4, GRD8, YZ
5	2	CM-SP62	.250" SPACER PLATE

TOOLS REQUIRED
T-25 TORX DRIVER
3/4" SOCKET
SWIVEL EXTENSION
12" EXTENSION
RATCHET
ROTARY CUTTING TOOL
TORQUE WRENCH
SILICONE CAULK

**HITCH WEIGHT: 29 LBS.****INSTALL TIME**PROFESSIONAL: 25 MINUTESNOVICE (DIY): 50 MINUTES**INSTALL NOTES:**

-NO DRILLING REQUIRED

-FASCIA TRIMMING REQUIRED

DESIGNED FOR USE WITH
BALLMOUNT #55001 / 45501**INSTALLATION STEPS**

- 1) Remove the (3) screws holding the plastic bumper fascia to the bottom of the trunk pan.
- 2) Remove the spare tire and jack from inside the trunk.
- 3) Remove the (2) rearmost plastic drain plugs from the bottom of the trunk pan.
- 4) Using the rotary cutting tool, remove material from the lower part of the plastic fascia as shown in the Fascia Trim Detail above.
- 5) While gently pulling the fascia down and rearward, install the bolt plates and 1/2-13 x 4 1/2 long carriage bolts on top of the bumper support tubes.
- 6) Raise the hitch into position, aligning the slots in the hitch brackets with the long carriage bolts and loosely secure the hitch with hex flange nuts as shown.
- 7) Seal the drain holes in the trunk pan with silicone caulk. Insert a CM-SP-62 spacer and 1/2-13 x 1 3/4 long carriage bolt into each of the drain holes and secure from below with hex flange nuts as shown.
- 8) Torque all 1/2" hardware to 110 ft-lbs.
- 9) Reinstall the two outer screws through the bumper fascia and into the trunk pan.
- 10) Reinstall the jack and spare tire into the trunk.

PERIODICALLY CHECK THIS RECEIVER HITCH TO ENSURE THAT ALL FASTENERS ARE TIGHT AND THAT ALL STRUCTURAL COMPONENTS ARE SOUND.

Curt Manufacturing Inc., warrants this product to be free of defects in material and/or workmanship at the time of retail purchase by the original purchaser. If the product is found to be defective, Curt Manufacturing Inc., may repair or replace the product, at their option, when the product is returned, prepaid, with proof of purchase. Alteration to, misuse of, or improper installation of this product voids the warranty. Curt Manufacturing Inc.'s liability is limited to repair or replacement of products found to be defective, and specifically excludes liability for incidental or consequential loss or damage.