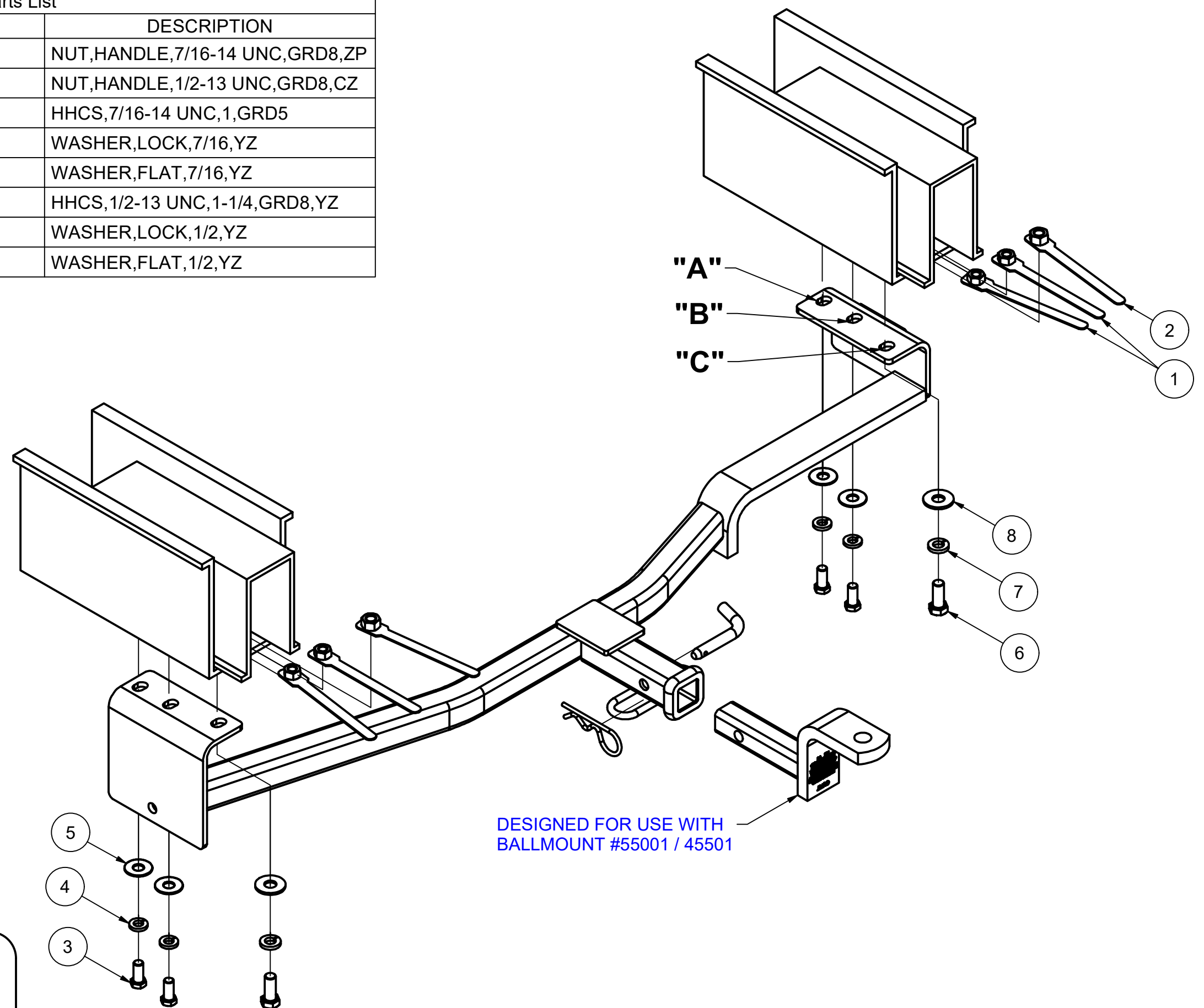


11159 / 257238**96-04 ACURA RL**

12/07/2020

GROSS LOAD CAPACITY WHEN USED AS A WEIGHT CARRYING HITCH: 2,000 LBS. TRAILER WEIGHT & 200 LBS. TONGUE WEIGHT.
*****DO NOT EXCEED VEHICLE MANUFACTURER'S RECOMMENDED TOWING CAPACITY.*****

Parts List			
ITEM	QTY	PART NUMBER	DESCRIPTION
1	4	20-00209	NUT,HANDLE,7/16-14 UNC,GRD8,ZP
2	2	20-00174	NUT,HANDLE,1/2-13 UNC,GRD8,CZ
3	4	10-10215	HHCS,7/16-14 UNC,1,GRD5
4	4	30-00184	WASHER,LOCK,7/16,YZ
5	4	30-00166	WASHER,FLAT,7/16,YZ
6	2	10-10470	HHCS,1/2-13 UNC,1-1/4,GRD8,YZ
7	2	30-00153	WASHER,LOCK,1/2,YZ
8	2	30-00133	WASHER,FLAT,1/2,YZ



HITCH WEIGHT: 27 LBS.
 INSTALL TIME: 45 MINUTES
 INSTALL NOTES:
 - NO DRILLING REQUIRED

INSTALLATION STEPS

- 1) Locate the frame rails under the rear of the car, the hitch mounts directly to the existing holes in these frame rails.
**** NOTE **** For easier installation, the muffler can be temporarily lowered by unhooking the rear most exhaust hangers.
- 2) With hitch in position, install the 7/16" x 1" bolt and washers into the forward most holes in the frame rails. The handle nuts must be inserted from the rear of the frame as shown. Bend the handles to achieve any clearance you need. **DO NOT TIGHTEN** at this time
- 3) Install the rest of the fasteners working rearward in the positions shown in the diagram.
 (In order "A", "B", & "C")
- 4) Starting with the bolts at "C" and working forward, tighten all hardware to the following torque specifications.

1/2" hardware = 110 lb-ft
 7/16" hardware = 59 lb-ft

PERIODICALLY CHECK THIS RECEIVER HITCH TO ENSURE THAT ALL FASTENERS ARE TIGHT AND THAT ALL STRUCTURAL COMPONENTS ARE SOUND.

Curt Manufacturing Inc., warrants this product to be free of defects in material and/or workmanship at the time of retail purchase by the original purchaser. If the product is found to be defective, Curt Manufacturing Inc., may repair or replace the product, at their option, when the product is returned, prepaid, with proof of purchase. Alteration to, misuse of, or improper installation of this product voids the warranty. Curt Manufacturing Inc.'s liability is limited to repair or replacement of products found to be defective, and specifically excludes liability for incidental or consequential loss or damage.