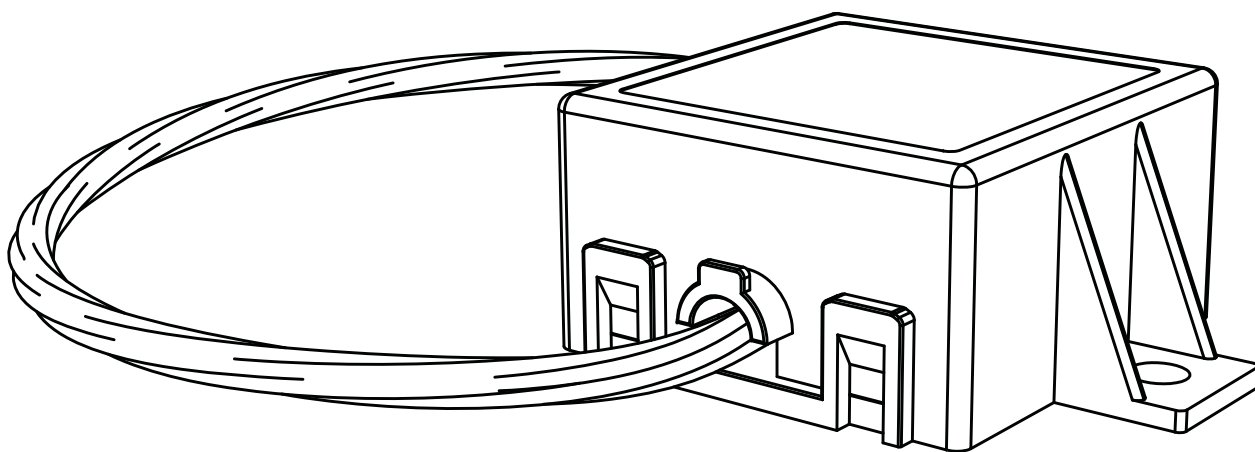


THE POWER OF

REDARC®

Enhanced Lighting Controller

GA-ELC



WARNING & SAFETY INSTRUCTIONS

SAVE THESE INSTRUCTIONS - This manual contains **IMPORTANT SAFETY INSTRUCTIONS** for the Enhanced Lighting Controller. **DO NOT OPERATE THE MONITOR UNLESS YOU HAVE READ AND UNDERSTOOD THIS MANUAL AND THE MONITOR AND SENSORS ARE INSTALLED AS PER THESE INSTALLATION INSTRUCTIONS. NOT SUITABLE FOR MARINE APPLICATIONS.**

NOTICE

1. REDARC recommend that the Enhanced Lighting Controller is installed by a qualified technician.

PRODUCT FUNCTION

The REDARC GA-ELC is designed for use if a vehicle's negative dimming circuit does not dim the REDARC gauges as desired. Alternatively, if the illumination circuit in the vehicle varies the positive voltage for dimming (or if the vehicle has no dimming circuit at all), a GA-ELC is required to get the gauge to dim with the night-time driving lights.

Besides dimming the gauge(s), a GA-ELC also allows programming of a night time colour. Only one GA-ELC is needed for a complete set of gauges and may also be used in conjunction with the 24 volt adaptor (GA-2412V) for a 24 volt system.

SPECIFICATIONS

	GA-ELC
Operating Range	6V-16V
Dimensions	46x51x25mm
Weight	53g
Warranty	2 years

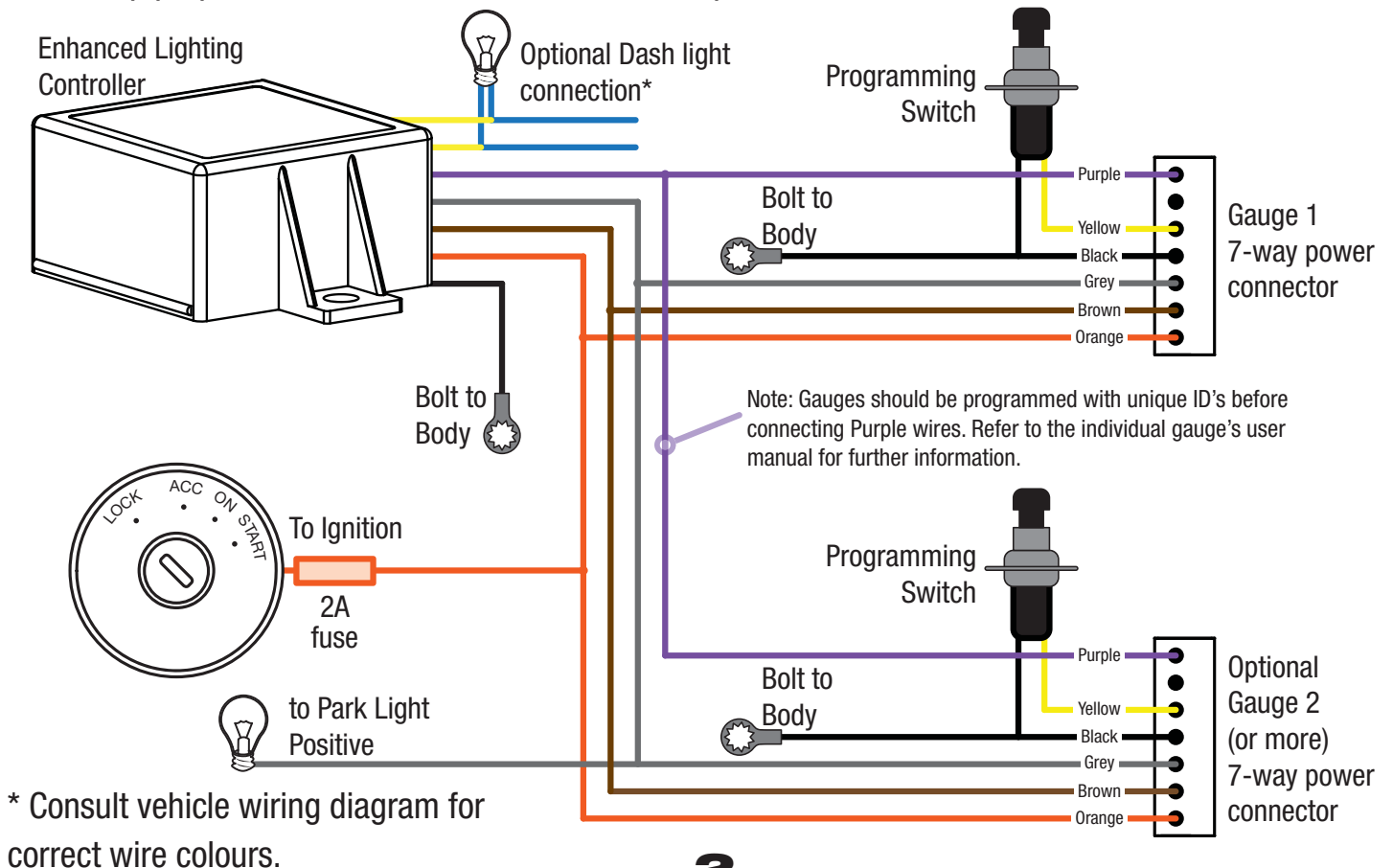
PRODUCT SETUP

1. Turn your vehicle park lights ON to illuminate your gauges.
2. Open the plastic housing so that you can get access the control switches. If your vehicle has dash light dimming turn it to minimum illumination then press and hold the "DIM" + or - buttons to set the desired minimum brightness.
Note: The transition in brightness can be quite slow - holding the button will be required.
Next set your dash illumination to maximum brightness then press and hold the "Bright" + or - buttons to set the desired maximum brightness.
3. If your vehicle has no dimming, press and hold the "DIM" + or - buttons to set the desired night time brightness.
4. To setup day / night colour change turn OFF park lights and put your gauges into programming mode by pressing and holding the gauge's programming switch while you turn ON ignition. (Please refer to your gauge's programming instructions for a detailed description of it's respective programming modes.) Turn ON your park lights then select colour change mode and choose your night time backlight colour. Turn OFF your park lights and reselect colour change mode then select your daylight backlight colour.
5. Turn OFF ignition to save your settings. Always make sure that the daylight colour is selected last to ensure the colours are stored properly.

INSTALLATION

The Enhanced Lighting Controller should be installed as per these instructions.

1. The Orange wire needs to be connected to an ignition wire that remains on when starting the engine.
2. Make sure that the Black ground wire (the one with the earth eye) is connected directly to the vehicle body work with a small screw or bolt. Make sure this connection is tight.
3. Grey illumination positive wire - Connect to a park light wire that is positive when the park lights are turned on.
4. Brown gauge illumination negative output wire - Connect to the Brown wires in the 7 way power connector on all your REDARC gauges. Note if the Brown wires on the gauges are connected to the vehicle wiring disconnect the Brown wires from the vehicle wiring before connecting them to the Enhanced Lighting Controller.
5. If you have one or more gauges, connect all Purple communications wires together so the background colours are changed together and to allow for day / night colour change. Please note: The communications from the ELC on power up will prevent gauges from going into "Id" select mode. If you need to change a gauge "Id" temporarily unplug the ELC while you change your gauge "Id" numbers.
6. Two Yellow Wires - These are vehicle dimming sense inputs. If your vehicle has dash lights that can be dimmed these wires are connected to any light in your vehicle that dims. One Yellow wire goes to each end of the globe. The wiring order is not important. If your vehicle has no dimming simply leave these wires disconnected.
7. Next mount the Enhanced Lighting Controller in a location under the dash that is close enough to the gauges for the wiring to reach the gauges. Make sure all cables are free of sharp edges. **DO NOT MOUNT IN THE ENGINE BAY.** It is desirable to make sure that you can get access to the module for setup purposes but it need not be mounted in a prominent visible location.



AUSTRALIAN TWO YEAR PRODUCT WARRANTY

Over the last three decades our company has established a reputation as the power conversion specialist.

A 100% Australian-owned company, we have met the needs of customers in transport and other industries through exciting, innovative thinking.

We believe in total customer satisfaction and practice this by offering our customers:

- Technical advice free of jargon and free of charge
- Prompt turnaround of orders throughout Australia and globally
- Friendly, personalised, professional service and product support

In the unlikely event that a technical issue arises with a Redarc product, customers are encouraged to initially contact the Redarc Technical Support Team on (08) 8322 4848 or power@redarc.com.au for prompt and efficient diagnosis and product support.

Our goods come with guarantees that cannot be excluded under the Australian Consumer Law. You are entitled to a replacement or refund for a major failure and compensation for any other reasonably foreseeable loss or damage. You are also entitled to have the goods repaired or replaced if the goods fail to be of acceptable quality and the failure does not amount to a major failure.

The benefits of this Warranty are in addition to other rights and remedies available at law in respect of the Products and shall not derogate from any applicable mandatory statutory provisions or rights under the Australian Consumer Law.

Redarc Electronics Pty Ltd atf the Redarc Trust trading as Redarc Electronics ("Redarc") offers a warranty in respect of its Products where the Products are purchased from an authorised distributor or reseller of Redarc by a person ("Purchaser"), on the terms and conditions, and for the duration, outlined below in this document ("Warranty").

1. In this Warranty, the term **Products** means:
 - 1.1 all products manufactured or supplied by Redarc (excluding its solar products which are covered by Redarc's Solar Product Warranty); and
 - 1.2 any component of or accessory for any product in clause 1.1 manufactured or supplied by Redarc.
2. Redarc warrants that its Products will be free, under normal application, installation, use and service conditions, from defects in materials and workmanship affecting normal use, for **2 years** from the date of purchase (**Warranty Period**).
3. Where a Product malfunctions or becomes inoperative during the Warranty Period, due to a defect in materials or workmanship, as determined by Redarc, then subject to further rights conferred by the Australian Consumer Law on the Purchaser, Redarc will, in exercise of its sole discretion, either:
 - 3.1 repair the defective Product;
 - 3.2 replace the defective Product; or
 - 3.3 provide a refund to the Purchaser for the purchase price paid for the defective Product, without charge to the Purchaser.
4. The warranty given by Redarc in clause 3 covers the reasonable costs of delivery and installation of any repaired or replaced Products or components of Products to the Purchaser's usual residential address notified to Redarc, together with the reasonable costs of removal and return of any Products determined by Redarc to be defective.
5. If the Purchaser incurs expenses of the nature referred to in clause 4 in the context of making a claim pursuant to this Warranty that is accepted by Redarc, the Purchaser will be entitled to claim for reimbursement of those expenses which Redarc determines, in exercise of its sole discretion, to be reasonably incurred, provided that the claim is notified to Redarc in writing at the postal address or email address specified in clause 21 and includes:
 - 5.1 details of the relevant expenses incurred by the Purchaser; and
 - 5.2 proof of the relevant expenses having been incurred by the Purchaser.

Exclusions and limitations

6. This Warranty will not apply to, or include any defect, damage, fault, failure or malfunction of a Product, which Redarc determines, in exercise of its sole discretion, to be due to:
 - 6.1 normal wear and tear or exposure to weather conditions over time;
 - 6.2 accident, misuse, abuse, negligence, vandalism, alteration or modification;
 - 6.3 non-observance of any of the instructions supplied by Redarc, including instructions concerning installation, configuring, connecting, commissioning, use or application of the Product, including without limitation choice of location;
 - 6.4 failure to ensure proper maintenance of the Product strictly in accordance with Redarc's instructions or failure to ensure proper maintenance of any associated equipment or machinery;
 - 6.5 repairs to the Product that are not strictly in accordance with Redarc's instructions;
 - 6.6 installation, repairs or maintenance of the Product by, or under the supervision of, a person who is not a qualified auto electrician or technician, or if non-genuine or non-approved parts have been fitted;
 - 6.7 faulty power supply, power failure, electrical spikes or surges, lightning, flood, storm, hail, extreme heat, fire or other occurrence outside the control of Redarc;
 - 6.8 use other than for any reasonable purpose for which the Product was manufactured;
 - 6.9 any indirect or incidental damage of whatever nature outside the control of Redarc.
 7. Warranty claims in respect of a Product must be made in writing to Redarc at the postal address or email address specified in clause 21 within the Warranty Period. Such claims must include the following:
 - 7.1 details of the alleged defect or fault and the circumstances surrounding the defect or fault;
 - 7.2 evidence of the claim, including photographs of the Product (where the subject of the claim is capable of being photographed);
 - 7.3 the serial number of the Product, specified on the label affixed to the Product; and
 - 7.4 proof of purchase documentation for the Product from an authorised distributor or reseller of Redarc, which clearly shows the date and place of purchase.The return of any Products without the prior written instructions of Redarc will not be accepted by Redarc.
 8. Without limiting any other clause in this Warranty, Redarc has the right to reject any Warranty claim made by a Purchaser pursuant to this Warranty where:
 - 8.1 the Purchaser does not notify Redarc in writing of a Warranty claim within the Warranty Period;
 - 8.2 the Purchaser does not notify Redarc in writing of a Warranty claim within 1 month of becoming aware of the relevant circumstances giving rise to the claim, so that any further problems with the Product are minimised;
 - 8.3 the serial number of the Product has been altered, removed or made illegible without the written authority of Redarc;
 - 8.4 the Purchaser is unable to provide proof of purchase documentation in accordance with clause 7.4 or evidence that the Product was properly installed and removed (if relevant), and that proper maintenance has been performed on the Product, by, or under the supervision of, a qualified auto electrician or technician, in accordance with the instructions of Redarc.
 9. If the Product is found to be working satisfactorily on return to Redarc or upon investigation by Redarc, the Purchaser must pay Redarc's reasonable costs of testing and investigating the Product in addition to shipping and transportation charges. Where Redarc is in possession of the Product, the Product will be returned to the Purchaser on receipt of the amount charged.
 10. Any replaced Products or components of Products shall become the property of Redarc.
 11. Redarc may, in exercise of its sole discretion, deliver another type of Product or component of a Product (different in size, colour, shape, weight, brand and/or other specifications) in fulfilling its obligations under this Warranty, in the event that Redarc has discontinued manufacturing or supplying the relevant Product or component at the time of the Warranty claim, or where such Product or component is superior to that originally purchased by the Purchaser.
- ## Other conditions of Warranty
12. If the Purchaser acquired a Product for the purpose of resupply, then this Warranty shall not apply to that Product.
 13. In particular, the sale of a Product via an online auction, online store or other internet website by a party that is not an authorised distributor or reseller of the Product will be deemed to be a resupply within the meaning of the Australian Consumer Law and will render this Warranty void, as Redarc has no control over the storage, handling, quality or safety of Products sold by such persons.
 14. A Purchaser shall only be entitled to the benefit of this Warranty after all amounts owing in respect of the Product have been paid.
 15. While Redarc warrants that the Products will be free from defects in materials and workmanship in the circumstances set out in this Warranty, to the maximum extent permitted by law Redarc does not warrant that the operation of the Products will be uninterrupted or error-free.
 16. To the maximum extent permitted by law, Redarc's determination of the existence of any defect and the cause of any defect will be conclusive.
 17. Spare parts or materials for the Products are guaranteed to be available for a period of at least 2 years after purchase of the Products.
 18. The agents, officers and employees of any distributor or reseller of the Products and of Redarc are not authorised to vary or extend the terms of this Warranty.
 19. Redarc shall not be responsible or liable to the Customer or any third party in connection with any non-performance or delay in performance of any terms and conditions of this Warranty, due to acts of God, war, riots, strikes, warlike conditions, plague or other epidemic, fire, flood, blizzard, hurricane, changes of public policies, terrorism and other events which are beyond the control of Redarc. In such circumstances, Redarc may suspend performance of this Warranty without liability for the period of the delay reasonably attributable to such causes.
 20. If a clause or part of a clause in this Warranty can be read in a way that makes it illegal, unenforceable or invalid, but can also be read in a way that makes it legal, enforceable and valid, it must be read in the latter way. If any clause or part of a clause in this Warranty is illegal, unenforceable or invalid, that clause or part is to be treated as removed from this Warranty, but the rest of this Warranty is not affected.
- ## Redarc's contact details
21. Redarc's contact details for the sending of Warranty claims under this Warranty are:

Redarc Electronics Pty Ltd
23 Brodie Road (North), Lonsdale SA 5160
Email: power@redarc.com.au
Telephone: +61 8 8322 4848

FOR REGIONAL SPECIFIC WARRANTY TERMS & CONTACT DETAILS GO TO: www.redarc.com.au

Copyright © 2018 REDARC Electronics Pty Ltd. All rights reserved.
Whilst all care was taken to ensure the contents of this manual were accurate at the time of printing, we take no responsibility for any errors or omissions.