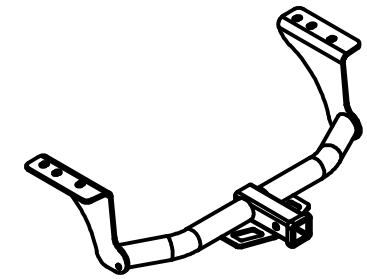




Class III Receiver Hitch

Part No. 69611C



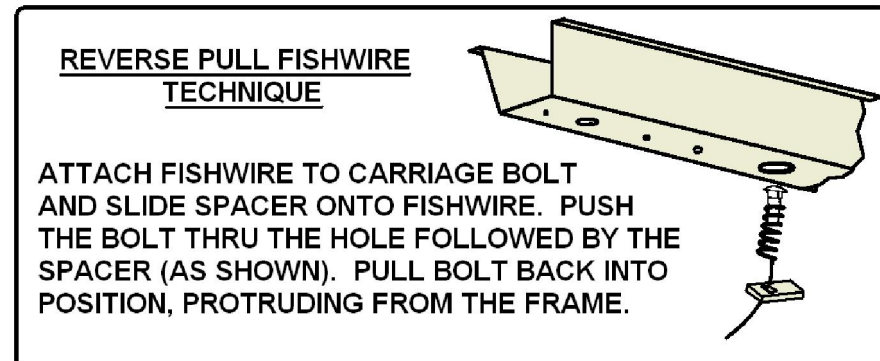
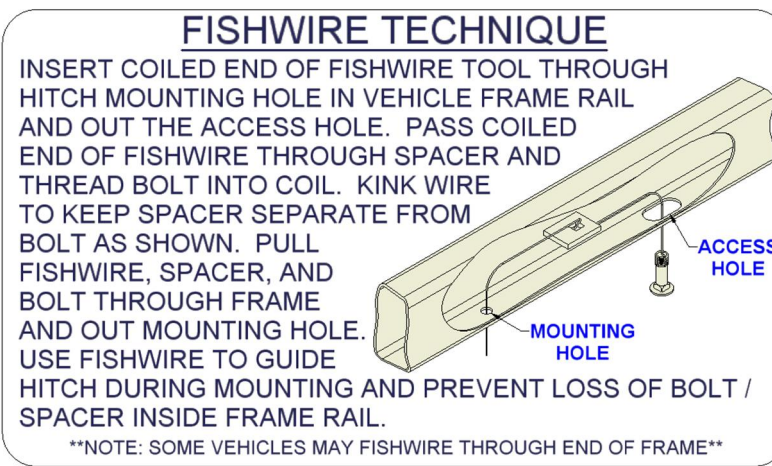
Fits: CHEVROLET EQUINOX / GMC TERRAIN



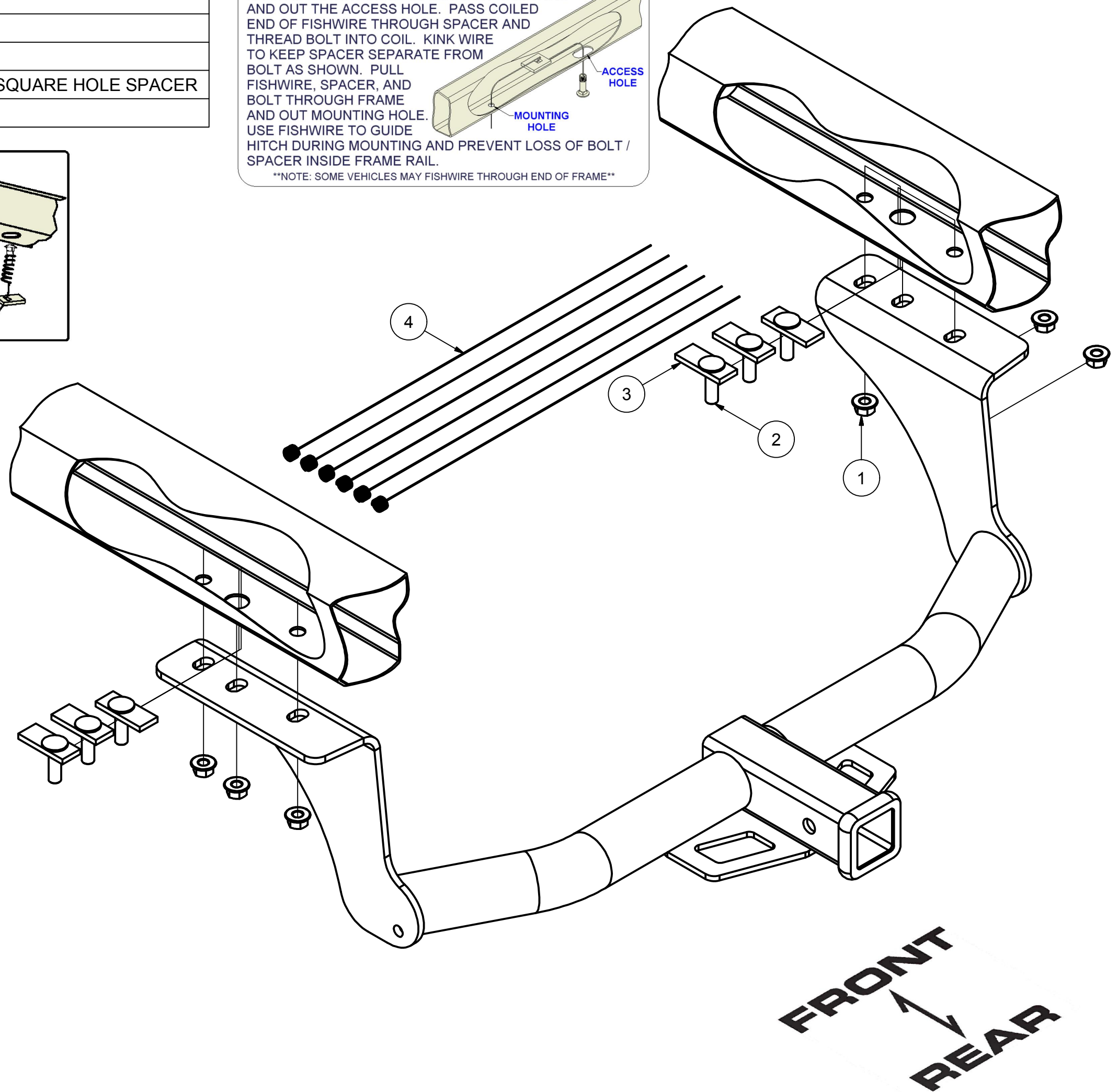
GROSS LOAD CAPACITY WHEN USED AS A WEIGHT CARRYING HITCH: 3,500 LBS. TRAILER WEIGHT & 525 LBS. TONGUE WEIGHT.
WARNING: * DO NOT EXCEED VEHICLE MANUFACTURER'S RECOMMENDED TOWING CAPACITY. *****



Parts List			
ITEM	QTY	PART NUMBER	DESCRIPTION
1	6	HFN 1213	HEX FLANGE NUT
2	6	1/2-13 x 1 3/4	CARRIAGE BOLT
3	6	CM-SP10	.250 x 1.00 x 2.50" SQUARE HOLE SPACER
4	6	1_2 FISHWIRE	1/2" FISHWIRE



TOOLS REQUIRED
RATCHET
TORQUE WRENCH
6" SOCKET EXT
3/4" SOCKET
PRY BAR
SAFETY GLASSES
DIE GRINDER



HITCH WEIGHT: 34 LBS.
INSTALL TIME
 PROFESSIONAL: 20 MINUTES
 NOVICE (DIY): 40 MINUTES
INSTALL NOTES:
 -FISHWIRE HARDWARE
 -REVERSE FISHWIRE HARDWARE
 -NO DRILLING

INSTALLATION STEPS

- On passenger frame rail locate and carefully remove plastic pushpin from bottom of rail using a pry tool.
NOTE: Enlarging the access hole with die grinder to 1.125" to allow the carriage bolts and spacers to be inserted into frame rail may ease installation.
- Fishwire (2) CM-SP10 spacers and (2) 1/2" carriage bolts through access hole and out mounting holes on each side. (As shown in the Fishwire Technique Diagram)
- Reverse fishwire (1) CM-SP10 spacer and (1) 1/2" carriage bolt through access hole and out access hole on each side. (As shown in the Reverse Fishwire Technique Diagram)
- Raise hitch into position and secure with (3) 1/2" flange nuts on each side.
- Torque 1/2" hardware to 110 ft-lbs.

PERIODICALLY CHECK THIS RECEIVER HITCH TO ENSURE THAT ALL FASTENERS ARE TIGHT AND THAT ALL STRUCTURAL COMPONENTS ARE SOUND.