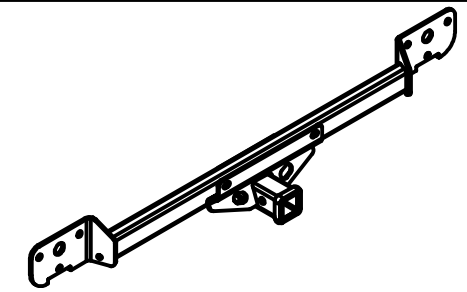




# Class III Receiver Hitch

## Part No. 69589C



**Fits: RAM PROMASTER**

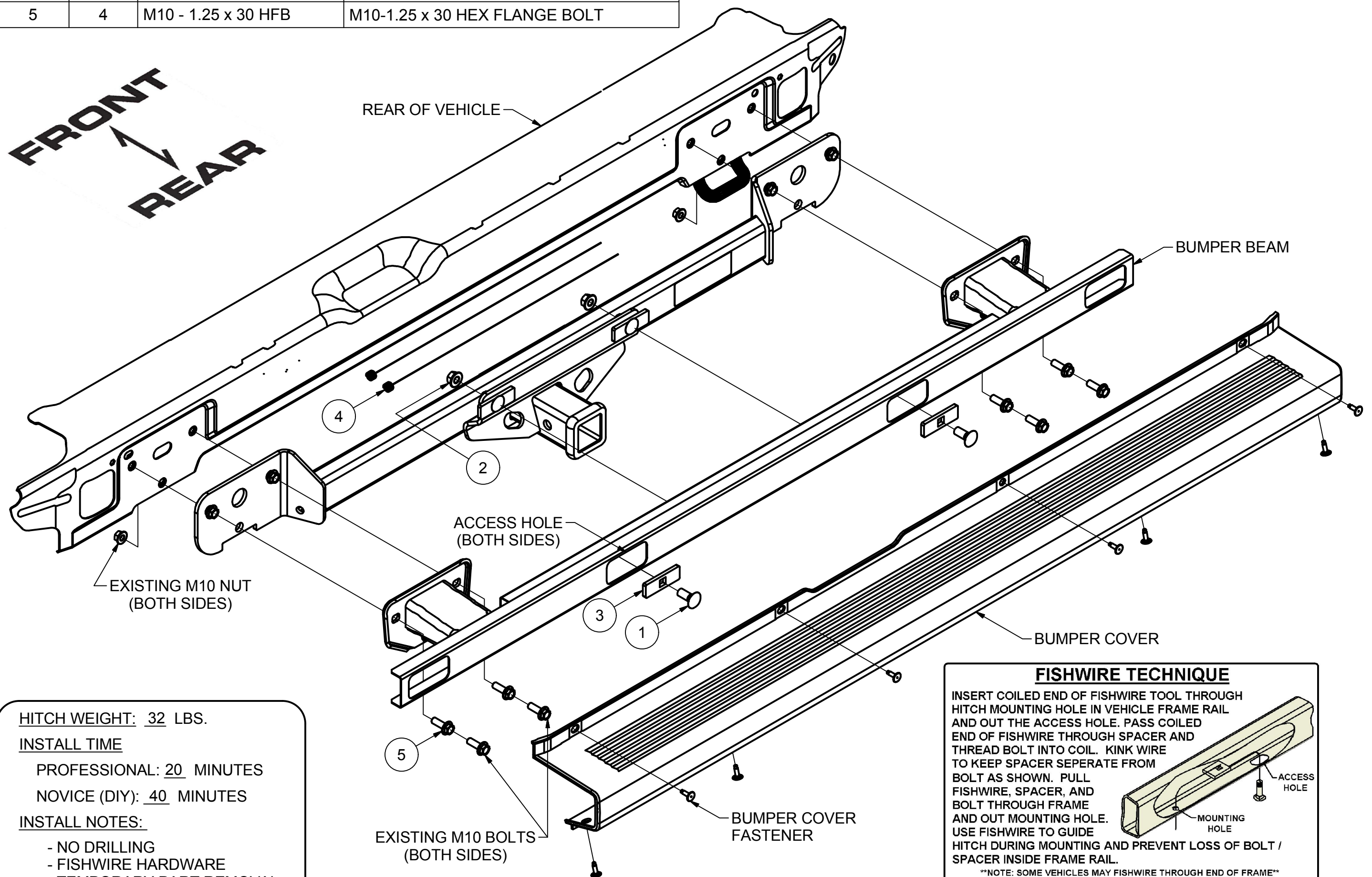


GROSS LOAD CAPACITY WHEN USED AS A WEIGHT CARRYING HITCH: 5,000 LBS. TRAILER WEIGHT & 500 LBS. TONGUE WEIGHT.  
**WARNING: \*\*\* DO NOT EXCEED VEHICLE MANUFACTURER'S RECOMMENDED TOWING CAPACITY. \*\*\***



Parts List			
ITEM	QTY	PART NUMBER	DESCRIPTION
1	2	1/2-13 x 1 1/4	CARRIAGE BOLT
2	2	HFN 1213	HEX FLANGE NUT
3	2	CM-SP6	.250 x 1.00 x 3.00" SQUARE HOLE SPACER
4	2	1_2 FISHWIRE	1/2" FISHWIRE
5	4	M10 - 1.25 x 30 HFB	M10-1.25 x 30 HEX FLANGE BOLT

TOOLS REQUIRED
RATCHET
TORQUE WRENCH
15mm, 16mm, & 3/4" SOCKET
T30 TORX BIT
SAFETY GLASSES



HITCH WEIGHT: 32 LBS.

**INSTALL TIME**

PROFESSIONAL: 20 MINUTES

NOVICE (DIY): 40 MINUTES

**INSTALL NOTES:**

- NO DRILLING
- FISHWIRE HARDWARE
- TEMPORARY PART REMOVAL

**FISHWIRE TECHNIQUE**

INSERT COILED END OF FISHWIRE TOOL THROUGH HITCH MOUNTING HOLE IN VEHICLE FRAME RAIL AND OUT THE ACCESS HOLE. PASS COILED END OF FISHWIRE THROUGH SPACER AND THREAD BOLT INTO COIL. KINK WIRE TO KEEP SPACER SEPARATE FROM BOLT AS SHOWN. PULL FISHWIRE, SPACER, AND BOLT THROUGH FRAME AND OUT MOUNTING HOLE. USE FISHWIRE TO GUIDE HITCH DURING MOUNTING AND PREVENT LOSS OF BOLT / SPACER INSIDE FRAME RAIL.

\*\*NOTE: SOME VEHICLES MAY FISHWIRE THROUGH END OF FRAME\*\*

## INSTALLATION STEPS

1. Open the rear vehicle doors to expose the bumper cover and fasteners. Using a T30 torx bit, remove (8) fasteners and the bumper cover. **Note:** If present, disconnect the rear back-up sensor before completely removing the bumper cover.
2. Remove (2) M10 bolts and (1) M10 nut securing the bumper beam to the end of the frame, both sides. **Note:** Remove the M10 bolts with a 16mm socket and the M10 nuts using a 15mm socket.
3. Fishwire the 1/2" carriage bolts and SP6 spacers through the access holes and out the existing holes in the bumper beam.
4. With the hitch side plates flat on the ground, align the center holes of the hitch with the bolts fishwired in the bumper beam and loosely secure with 1/2" flange nuts.
5. Raise the hitch and bumper beam into position by aligning the hitch and bumper beam holes with the holes in the end of the frame. Secure with the M10-1.25 x 30mm hex flange bolts provided and the M10 nuts removed in Step (2).
6. Torque all 1/2" hardware to 110 ft-lbs.  
Torque all 10mm hardware to 48 ft-lbs.
7. Reinstall bumper cover with fasteners removed in Step (1). **Note:** If present, reconnect the back-up sensor. You may need to gently flex the cover to align with fastener holes.

**PERIODICALLY CHECK THIS RECEIVER HITCH TO ENSURE THAT ALL FASTENERS ARE TIGHT AND THAT ALL STRUCTURAL COMPONENTS ARE SOUND.**

Keystone Automotive Operations Inc., warrants this product to be free of defects in material and/or workmanship at the time of retail purchase by the original purchaser. If the product is found to be defective, Keystone Automotive Operations Inc., may repair or replace the product, at their option, when the product is returned, prepaid, with proof of purchase. Alteration to, misuse of, or improper installation of this product voids the warranty. Keystone Automotive Operations Inc.'s liability is limited to repair or replacement of products found to be defective, and specifically excludes liability for incidental or consequential loss or damage. This product complies with safety specifications and requirements for connecting devices and towing systems of the state of New York, V.E.S.C. Regulation V-5 and SAE J684. For Technical & Warranty Support: 1-877-544-4449 Fax- 1-855-242-8922 [www.huskytow.com](http://www.huskytow.com)

11202017