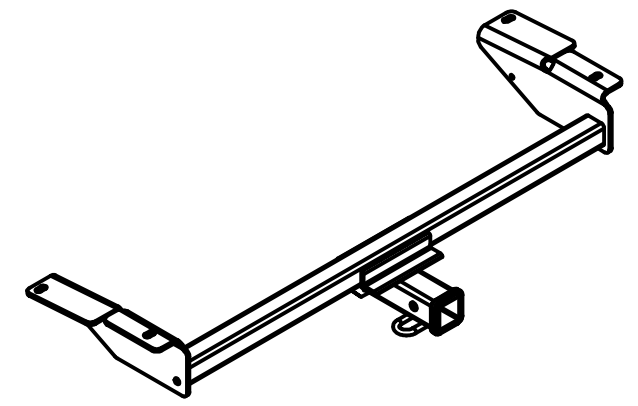




Class III Receiver Hitch Part No. 69586C



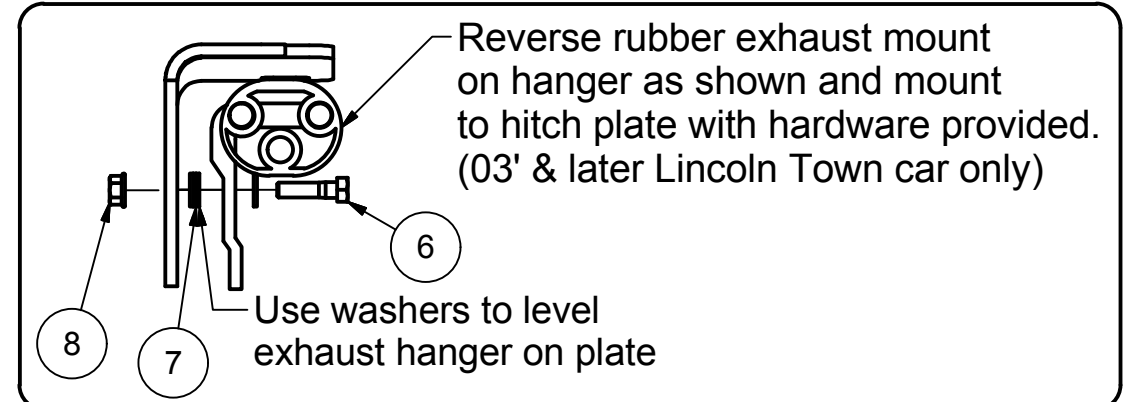
Fits: 92-11 FORD CROWN VICTORIA 79-11 MERCURY GRAND MARQUIS SEDAN
87-91 FORD COUNTRY SQUIRE 79-82 MERCURY GRAND MARQUIS WAGON
81-11 LINCOLN TOWN CAR 03-04 MERCURY MARAUDER
80-83 LINCOLN MARK VI 79-82 MERCURY MONTEREY



GROSS LOAD CAPACITY WHEN USED AS A WEIGHT CARRYING HITCH: 4,000 LBS. TRAILER WEIGHT & 400 LBS. TONGUE WEIGHT.
GROSS LOAD CAPACITY WHEN USED AS A WEIGHT DISTRIBUTION HITCH: 6,000 LBS. TRAILER WEIGHT & 600 LBS. TONGUE WEIGHT.
WARNING: * DO NOT EXCEED VEHICLE MANUFACTURER'S RECOMMENDED TOWING CAPACITY. *****



Parts List			
ITEM	QTY	PART NUMBER	DESCRIPTION
1	1	CM-500-FW	FISHWIRE TOOL
2	4	HFN 1213	HEX FLANGE NUT
3	2	CM-SP38	1/2" WEDGE SPACER
4	10	CM-SP1	.250 x 1.50 x 2.00" SQUARE HOLE SPACER
5	4	1/2 - 13 x 2 1/4	CARRIAGE BOLT
6	1	5/16-18	HEX FLANGE NUT
7	4	5/16"	WASHER
8	1	5/16-18 x 1 1/4	HEX TAP BOLT



FISHWIRE TECHNIQUE

INSERT COILED END OF FISHWIRE TOOL THROUGH HITCH MOUNTING HOLE IN VEHICLE FRAME RAIL AND OUT THE ACCESS HOLE. PASS COILED END OF FISHWIRE THROUGH SPACER AND THREAD BOLT INTO COIL. KINK WIRE TO KEEP SPACER SEPARATE FROM BOLT AS SHOWN. PULL FISHWIRE, SPACER, AND BOLT THROUGH FRAME AND OUT MOUNTING HOLE. USE FISHWIRE TO GUIDE HITCH DURING MOUNTING AND PREVENT LOSS OF BOLT / SPACER INSIDE FRAME RAIL.

NOTE: SOME VEHICLES MAY FISHWIRE THROUGH END OF FRAME

NOTE:
FOR MODELS WITH **DUAL EXHAUST** RELOCATION OF EXHAUST PIPE HANGER REQUIRED TO PROVIDE EXHAUST PIPE CLEARANCE

USE WEDGE SPACER PROVIDED AT THIS LOCATION WHEN INSTALLING HITCH ON WAGON APPLICATIONS

HITCH WEIGHT: 38 LBS.

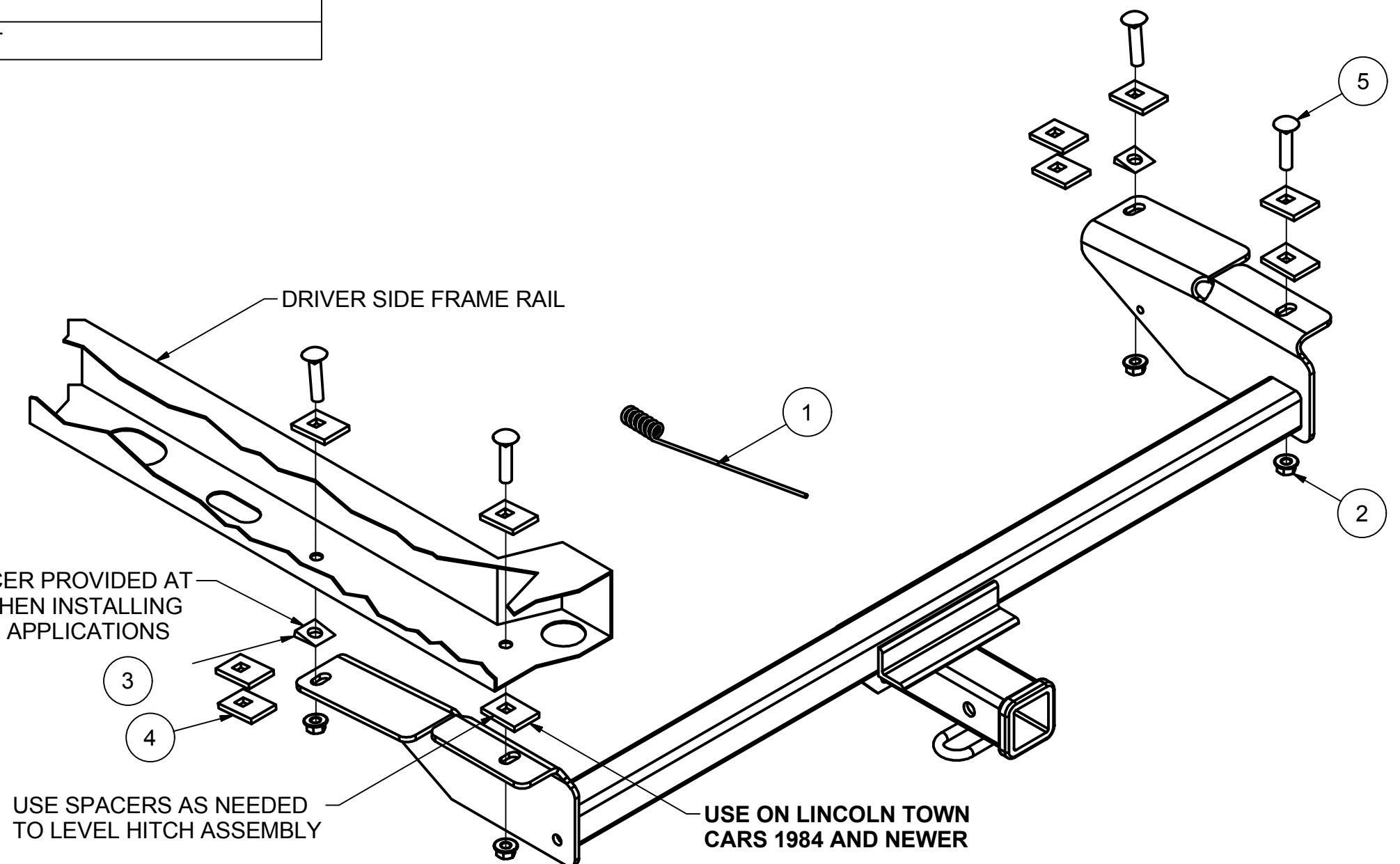
INSTALL TIME

PROFESSIONAL: 20 MINUTES

NOVICE (DIY): 45 MINUTES

INSTALL NOTES:

- DRILLING REQUIRED



INSTALLATION STEPS

Notes: 1995, 2003 & later Lincoln Town car external dress panel beneath vehicle must be removed for hitch installation and returned to vehicle owner. 2003 & later Lincoln Town car requires the relocation of passenger side exhaust hanger bracket. The exhaust hanger bracket must be removed from the vehicle frame and rubber mount. With parts separated rotate bumper hanger and reattach to hanger bracket as shown. Attach hanger assembly to hitch mounting plate and exhaust after completing hitch installation.

- 1) Remove all but a thin film of undercoating from the frame at the hitch mounting location. The attaching surfaces must be free of weld spatter and other objects that could prevent the hitch from being mounted flat to the frame.
- 2) Raise hitch into position on frame rails making sure that it is centered on the vehicle. The hitch should be positioned so that the mounting plates are approximately 1" from the end of the frame. Using the hitch as a template drill four holes in the frame. The holes required near the bumper should be drilled as close to the center of the vehicle as possible.
- 3) Fishwire carriage bolts and blocks into mounting locations.
- 4) Install spacers between vehicle frame and hitch as needed to level hitch assembly. Wagon applications will require the use of provided wedge block spacer. 1984 and later Lincoln Town car requires the use of two spacer blocks at mounting locations near the bumper and one spacer block at the forward mounting locations.
- 5) With proper spacers placed between hitch and frame attach flange nuts to all mounting bolts.
- 6) If required attach exhaust hanger bracket to passenger side mounting plate using hardware provided. Use washers as needed to level exhaust hanger on mounting plate.
- 7) Torque all 1/2" hardware to 110 lb-ft.

PERIODICALLY CHECK THIS RECEIVER HITCH TO ENSURE THAT ALL FASTENERS ARE TIGHT AND THAT ALL STRUCTURAL COMPONENTS ARE SOUND.

Keystone Automotive Operations Inc., warrants this product to be free of defects in material and/or workmanship at the time of retail purchase by the original purchaser. If the product is found to be defective, Keystone Automotive Operations Inc., may repair or replace the product, at their option, when the product is returned, prepaid, with proof of purchase. Alteration to, misuse of, or improper installation of this product voids the warranty. Keystone Automotive Operations Inc.'s liability is limited to repair or replacement of products found to be defective, and specifically excludes liability for incidental or consequential loss or damage. This product complies with safety specifications and requirements for connecting devices and towing systems of the state of New York, V.E.S.C. Regulation V-5 and SAE J684. For Technical & Warranty Support: 1-877-544-4449 Fax- 1-855-242-8922 www.huskytow.com

11202017