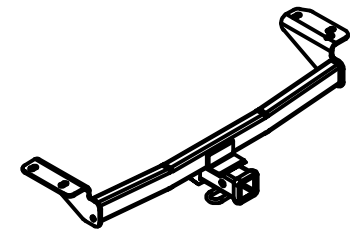




# Class III Receiver Hitch

## Part No. 69560C



**Fits: HYUNDAI TUCSON / KIA SPORTAGE**

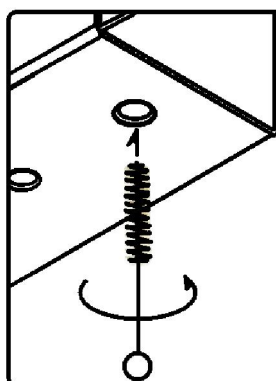


GROSS LOAD CAPACITY WHEN USED AS A WEIGHT CARRYING HITCH: 3,500 LBS. TRAILER WEIGHT & 350 LBS. TONGUE WEIGHT.  
**WARNING: \*\*\* DO NOT EXCEED VEHICLE MANUFACTURER'S RECOMMENDED TOWING CAPACITY. \*\*\***

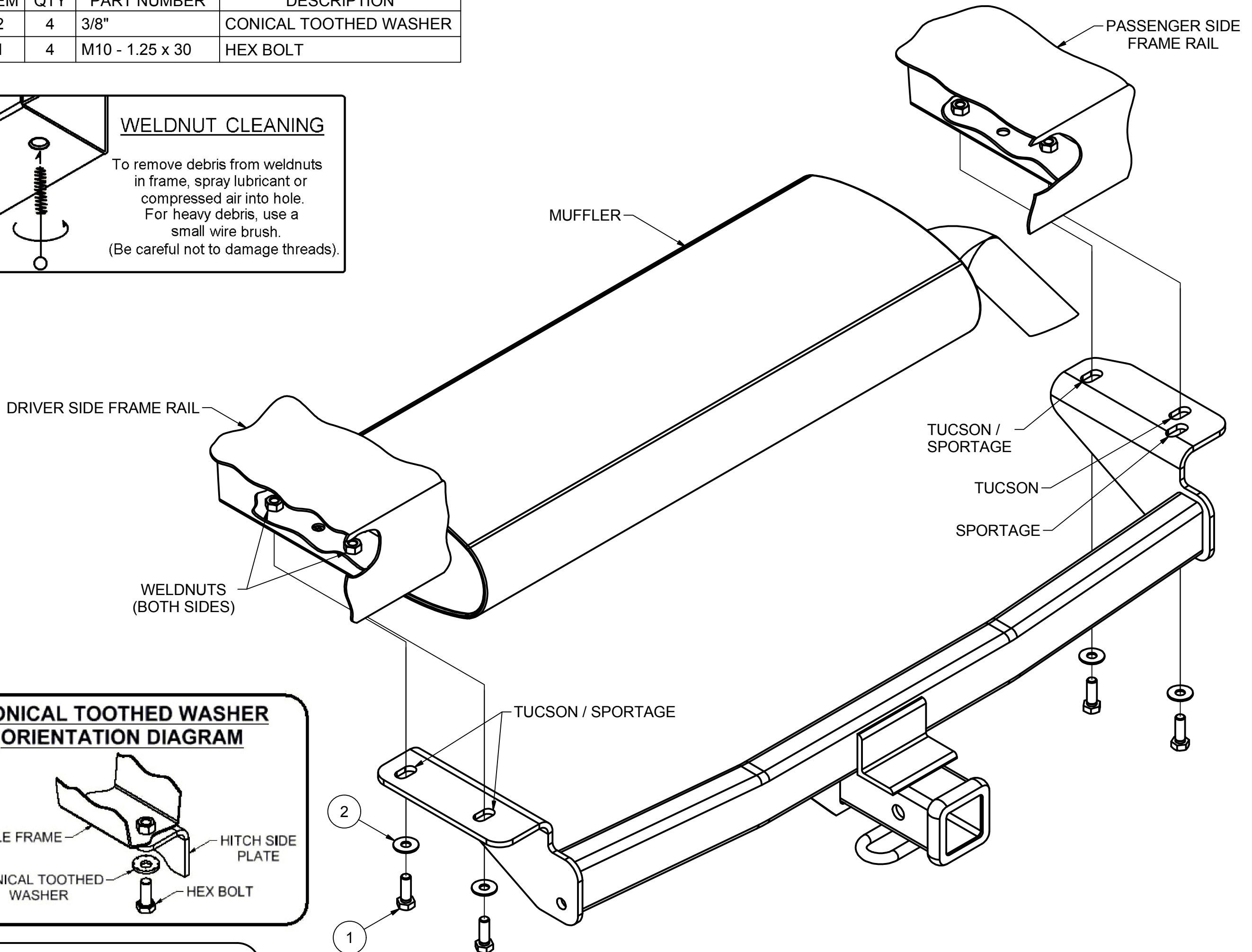


Parts List			
ITEM	QTY	PART NUMBER	DESCRIPTION
2	4	3/8"	CONICAL TOOTHED WASHER
1	4	M10 - 1.25 x 30	HEX BOLT

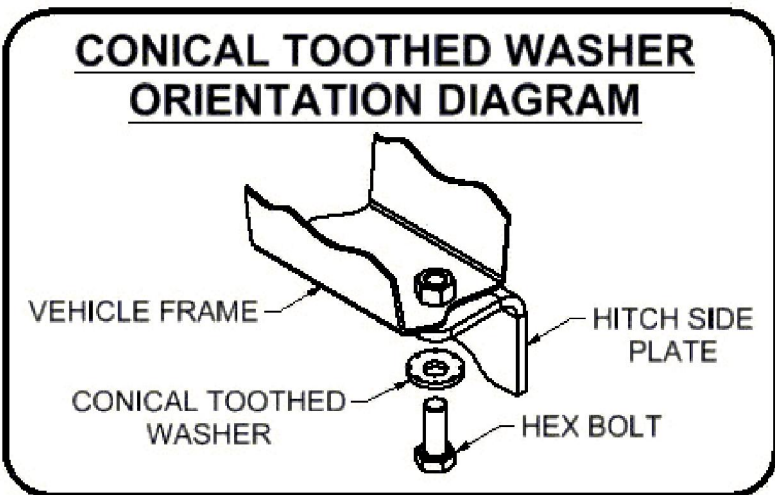
**WELDNUT CLEANING**



To remove debris from weldnuts in frame, spray lubricant or compressed air into hole. For heavy debris, use a small wire brush. (Be careful not to damage threads).



**CONICAL TOOTHED WASHER ORIENTATION DIAGRAM**



VEHICLE FRAME, HITCH SIDE PLATE, CONICAL TOOTHED WASHER, HEX BOLT

HITCH WEIGHT: 27 LBS.  
 INSTALL TIME  
 PROFESSIONAL: 30 MINUTES  
 NOVICE (DIY): 15 MINUTES  
 INSTALL NOTES:  
 - NO DRILLING REQUIRED

TOOLS REQUIRED
RATCHET
TORQUE WRENCH
9" EXTENSION
17mm SOCKET

### INSTALLATION STEPS

1. Locate weldnuts in frame rails. (See Weldnut Cleaning Diagram)
2. Raise hitch into position aligning holes in side plates with weldnuts and secure using M10-1.25 x 30mm bolts and 3/8" conical toothed washers. Note: For ease of installation, raise passenger side first then driver side.
3. Torque all M10 fasteners to 48 ft-lbs.

**PERIODICALLY CHECK THIS RECEIVER HITCH TO ENSURE THAT ALL FASTENERS ARE TIGHT AND THAT ALL STRUCTURAL COMPONENTS ARE SOUND.**

Keystone Automotive Operations Inc., warrants this product to be free of defects in material and/or workmanship at the time of retail purchase by the original purchaser. If the product is found to be defective, Keystone Automotive Operations Inc., may repair or replace the product, at their option, when the product is returned, prepaid, with proof of purchase. Alteration to, misuse of, or improper installation of this product voids the warranty. Keystone Automotive Operations Inc.'s liability is limited to repair or replacement of products found to be defective, and specifically excludes liability for incidental or consequential loss or damage. This product complies with safety specifications and requirements for connecting devices and towing systems of the state of New York, V.E.S.C. Regulation V-5 and SAE J684. For Technical & Warranty Support: 1-877-544-4449 Fax- 1-855-242-8922 [www.huskytow.com](http://www.huskytow.com) **11202017**