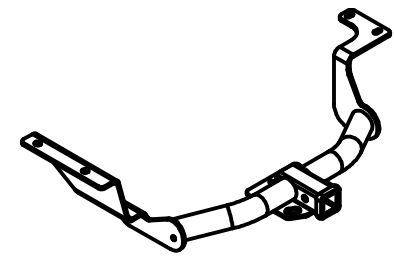




Class III Receiver Hitch

Part No. 69555C



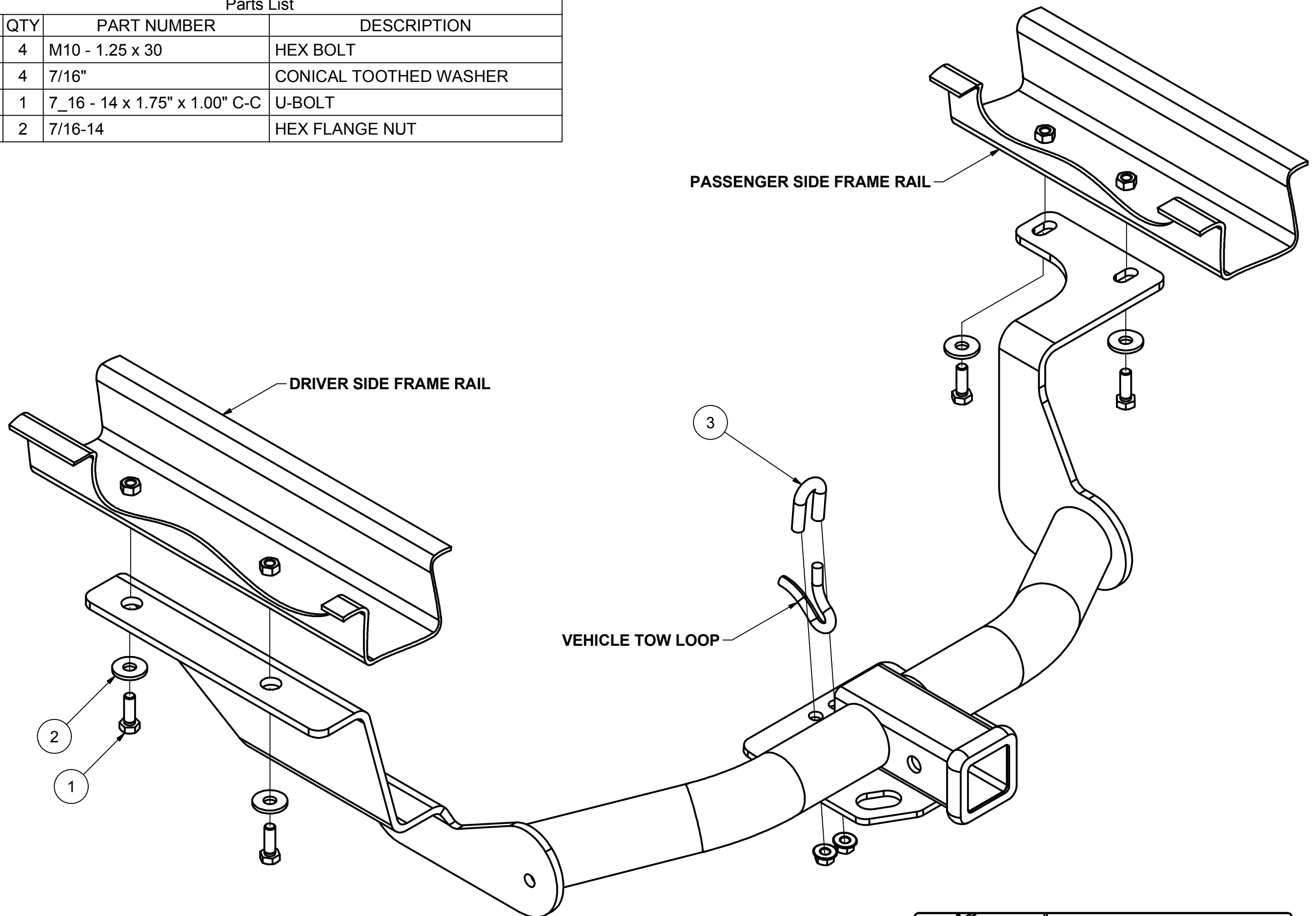
Fits: HONDA CR-V



GROSS LOAD CAPACITY WHEN USED AS A WEIGHT CARRYING HITCH: 3,500 LBS. TRAILER WEIGHT & 350 LBS. TONGUE WEIGHT.
WARNING: * DO NOT EXCEED VEHICLE MANUFACTURER'S RECOMMENDED TOWING CAPACITY. *****



Parts List			
ITEM	QTY	PART NUMBER	DESCRIPTION
1	4	M10 - 1.25 x 30	HEX BOLT
2	4	7/16"	CONICAL TOOTHED WASHER
3	1	7_16 - 14 x 1.75" x 1.00" C-C	U-BOLT
4	2	7/16-14	HEX FLANGE NUT



HITCH WEIGHT: 42 LBS.

INSTALL TIME

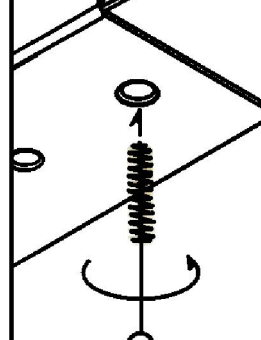
PROFESSIONAL: 45 MINUTES

NOVICE (DIY): 90 MINUTES

INSTALL NOTES:

- NO DRILLING REQUIRED
- LOWER EXHAUST

WELDNUT CLEANING



To remove debris from weldnuts in frame, spray lubricant or compressed air into hole. For heavy debris, use a small wire brush. (Be careful not to damage threads).

INSTALLATION STEPS

- 1) Lower exhaust, (2) hangers above muffler.
- 2) Place ubolt into position through tow loop. Raise hitch into position, and install flange nuts onto u-bolt.
- 3) Install remaining fasteners as shown above.
- 4) Torque all 10mm fasteners to 49 lb-ft, and all 7/16" fasteners to 70 lb-ft.
- 5) Re-install exhaust hangers.

PERIODICALLY CHECK THIS RECEIVER HITCH TO ENSURE THAT ALL FASTENERS ARE TIGHT AND THAT ALL STRUCTURAL COMPONENTS ARE SOUND.