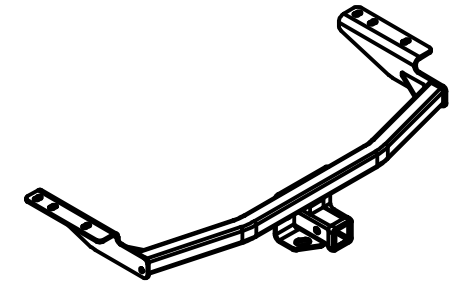




Class III Receiver Hitch Part No. 69554C



Fits: INFINITI JX35, QX60 & NISSAN PATHFINDER



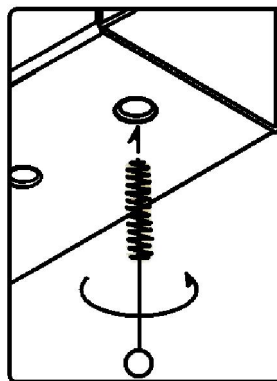
GROSS LOAD CAPACITY WHEN USED AS A WEIGHT CARRYING HITCH: 4000 LBS. TRAILER WEIGHT & 600 LBS. TONGUE WEIGHT.
GROSS LOAD CAPACITY WHEN USED AS A WEIGHT DISTRIBUTION HITCH: 5000 LBS. TRAILER WEIGHT & 600 LBS. TONGUE WEIGHT

WARNING: * DO NOT EXCEED VEHICLE MANUFACTURER'S RECOMMENDED TOWING CAPACITY. *****



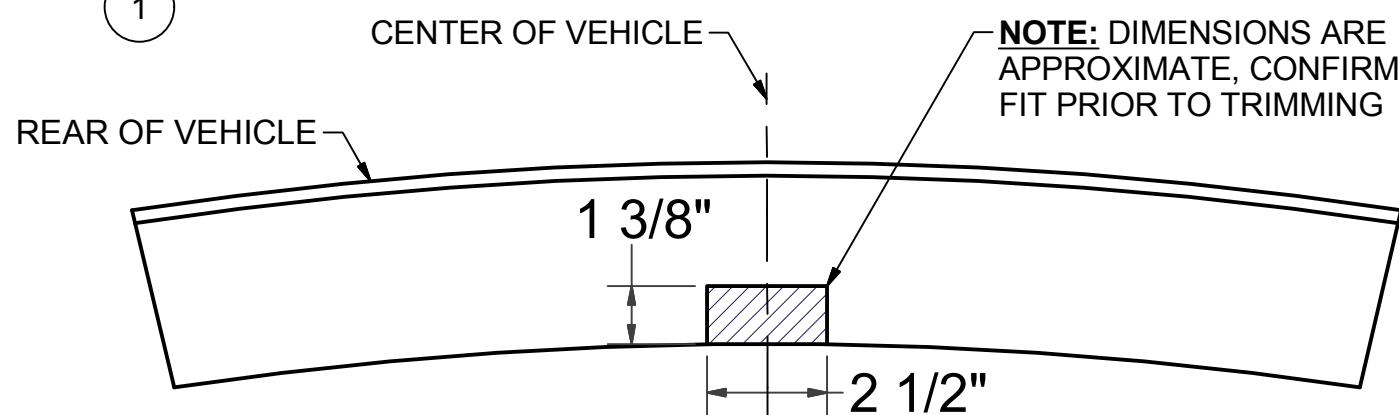
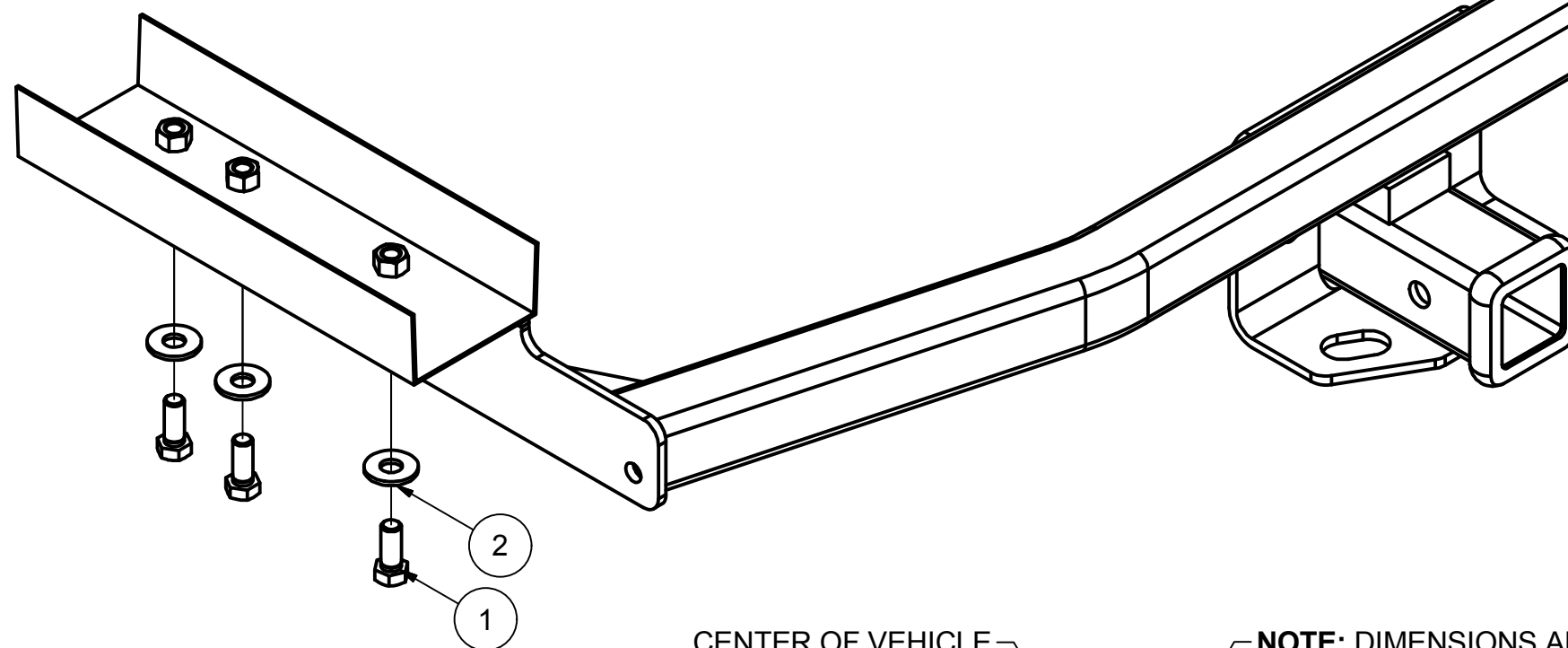
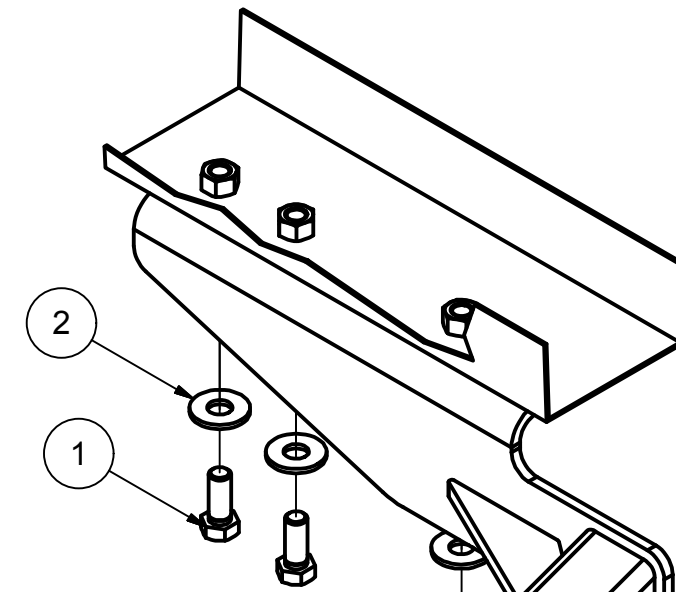
| Parts List | | | |
|------------|-----|-----------------|------------------------|
| ITEM | QTY | PART NUMBER | DESCRIPTION |
| 1 | 6 | M12-1.25 x 30mm | HEX BOLT |
| 2 | 6 | 1/2" | CONICAL TOOTHED WASHER |

| TOOLS REQUIRED | |
|----------------|--|
| RATCHET | |
| TORQUE WRENCH | |
| 12mm SOCKET | |
| 18mm SOCKET | |
| 19mm SOCKET | |
| 21mm SOCKET | |



WELDNUT CLEANING

To remove debris from weldnuts in frame, spray lubricant or compressed air into hole. For heavy debris, use a small wire brush. (Be careful not to damage threads).



HITCH WEIGHT: 22 LBS.

INSTALL TIME

PROFESSIONAL: 40 MINUTES

NOVICE (DIY): 85 MINUTES

INSTALL NOTES:

- NO DRILLING REQUIRED
- MINOR FASCIA TRIM
- REMOVE TOW HOOK
- LOWER SPARE TIRE

INSTALLATION STEPS

1. Remove tow hook from driver side frame rail. Return tow hook and fasteners to vehicle owner.
2. Lower spare tire using tire lug wrench or ratchet with 21mm socket.
3. Remove fascia mounting brackets by first removing plastic clips on bottom of fascia and then unbolting brackets from bumper. Retain for reinstallation after hitch installation.
4. Mark area as shown for fascia trimming, approximately 2 1/2" x 1 3/8". Trim fascia.
5. Raise hitch into position and secure with M12 x 1.25 x 30mm hex bolts and 1/2" conical toothed washers into existing weldnuts. Torque all M12 fasteners to 86 ft-lbs.
6. Reinstall fascia mounting brackets.
7. Raise spare tire back into place.

PERIODICALLY CHECK THIS RECEIVER HITCH TO ENSURE THAT ALL FASTENERS ARE TIGHT AND THAT ALL STRUCTURAL COMPONENTS ARE SOUND.

Keystone Automotive Operations Inc., warrants this product to be free of defects in material and/or workmanship at the time of retail purchase by the original purchaser. If the product is found to be defective, Keystone Automotive Operations Inc., may repair or replace the product, at their option, when the product is returned, prepaid, with proof of purchase. Alteration to, misuse of, or improper installation of this product voids the warranty. Keystone Automotive Operations Inc.'s liability is limited to repair or replacement of products found to be defective, and specifically excludes liability for incidental or consequential loss or damage. This product complies with safety specifications and requirements for connecting devices and towing systems of the state of New York, V.E.S.C. Regulation V-5 and SAE J684. For Technical & Warranty Support: 1-877-544-4449 Fax- 1-855-242-8922 www.huskytow.com

11202017