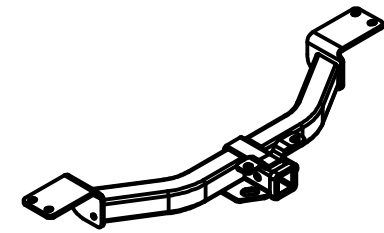




Class III Receiver Hitch

Part No. 69477C



Fits: BUICK ENCLAVE, CHEVROLET TRAVERSE, GMC ACADIA, SATURN OUTLOOK



GROSS LOAD CAPACITY WHEN USED AS A WEIGHT CARRYING HITCH: 5,000 LBS. TRAILER WEIGHT & 500 LBS. TONGUE WEIGHT.
GROSS LOAD CAPACITY WHEN USED AS A WEIGHT DISTRIBUTION HITCH: 6,000 LBS. TRAILER WEIGHT & 600 LBS. TONGUE WEIGHT

WARNING: * DO NOT EXCEED VEHICLE MANUFACTURER'S RECOMMENDED TOWING CAPACITY. *****



Parts List			
ITEM	QTY	PART NUMBER	DESCRIPTION
1	6	M12-1.75 x 30mm	HEX BOLT
2	6	1/2"	CONICAL TOOTHED WASHER
3	2	1/2-13 x 1 1/4	CARRIAGE BOLT
4	2	CM-SP6	.250 x 1.00 x 3.00" SQ HOLE SPACER
5	2	HFN 1213	HEX FLANGE NUT
6	2	1_2 x 30 FISHWIRE	1/2" x 30" FISHWIRE

TOOLS REQUIRED
19mm SOCKET
10" EXTENSION
RATCHET
TORQUE WRENCH

RUBBER ISOLATOR REMOVAL DIAGRAM

This technique can be used if an Exhaust Hanger Removal Pliers is not available.

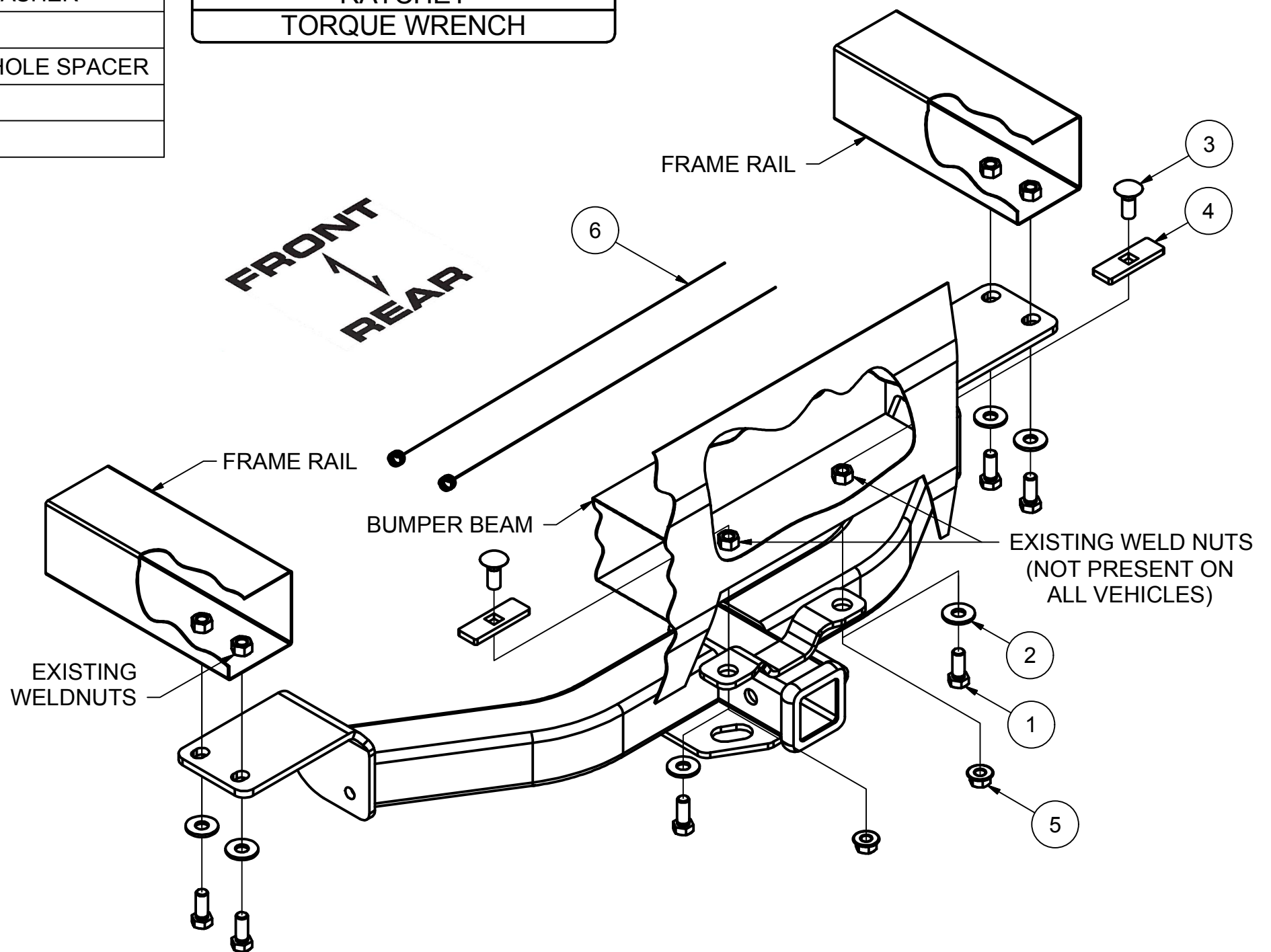
Using a 5/8" open end wrench, slide the wrench up to the rubber isolator, cradling the hanger rod as shown. Next place the flat edge of a pry bar between the wrench and the hanger stop or hanger rod. Then simply rotate the pry bar toward the wrench to remove the rubber isolator.

Note: Using a spray lubricant or soapy water on the hanger rod and the rubber isolator helps removal.

FISHWIRE TECHNIQUE

INSERT COILED END OF FISHWIRE TOOL THROUGH HITCH MOUNTING HOLE IN VEHICLE FRAME RAIL AND OUT THE ACCESS HOLE. PASS COILED END OF FISHWIRE THROUGH SPACER AND THREAD BOLT INTO COIL. KINK WIRE TO KEEP SPACER SEPARATE FROM BOLT AS SHOWN. PULL FISHWIRE, SPACER, AND BOLT THROUGH FRAME AND OUT MOUNTING HOLE. USE FISHWIRE TO GUIDE HITCH DURING MOUNTING AND PREVENT LOSS OF BOLT / SPACER INSIDE FRAME RAIL.

NOTE: SOME VEHICLES MAY FISHWIRE THROUGH END OF FRAME



HITCH WEIGHT: 30 LBS.

INSTALL TIME

PROFESSIONAL: 30 MINUTES

NOVICE (DIY): 60 MINUTES

INSTALL NOTES:

- NO DRILLING REQUIRED
- SOME MODELS MAY REQUIRE ACCESS HOLE ENLARGEMENT

INSTALLATION STEPS

NOTE: The weld nuts in the bumper beam used in Step 5 are not present on all vehicles. Carriage bolts, spacers, hex flange nuts and fishwire tools are included in the bolt kit for this purpose.

1. Remove bumper fascia panel. (Note: Panel may be reinstalled on some models after hitch installation if desired.)
2. Lower exhaust to ease installation. (See Rubber Isolator Removal Diagram)
3. Raise hitch into position over the exhaust pipes aligning the slots in the hitch with the weldnuts in the bottom of the frame rails.
4. Install (4) M12 bolts and conical toothed washers through the side plates and into the existing weld nuts in the frame rails as shown.
5. If weldnuts in bumper beam are present, install (2) M12 bolts and conical toothed washers as shown. If the weld nuts are not present, fishwire 1/2-13 x 1.25" carriage bolts and CM-SP6 spacers into position from the end of the bumper beam. Some models may require going through square access hole next to the mounting locations (square access hole may need to be slightly enlarged to fishwire hardware into position). Secure with (2) 1/2" hex flange nuts as shown. (See Fishwire Technique.)
6. Torque all M12 hardware to 86 ft-lbs. and all 1/2" hardware to 110 ft-lbs.
7. Raise exhaust back into position, reinstall rubber isolators and fascia panel (if desired).

PERIODICALLY CHECK THIS RECEIVER HITCH TO ENSURE THAT ALL FASTENERS ARE TIGHT AND THAT ALL STRUCTURAL COMPONENTS ARE SOUND.

Keystone Automotive Operations Inc., warrants this product to be free of defects in material and/or workmanship at the time of retail purchase by the original purchaser. If the product is found to be defective, Keystone Automotive Operations Inc., may repair or replace the product, at their option, when the product is returned, prepaid, with proof of purchase. Alteration to, misuse of, or improper installation of this product voids the warranty. Keystone Automotive Operations Inc.'s liability is limited to repair or replacement of products found to be defective, and specifically excludes liability for incidental or consequential loss or damage. This product complies with safety specifications and requirements for connecting devices and towing systems of the state of New York, V.E.S.C. Regulation V-5 and SAE J684. For Technical & Warranty Support: 1-877-544-4449 Fax- 1-855-242-8922 www.huskytow.com

11202017