



# Assembly, Installation, Operation and Maintenance Instructions

**P/N: 32767**

## CLIP ON NUT SERVICE KIT

**Dealer/Installer:** Provide a copy of these Instructions to the end user of this product. These Instructions provide important operating and safety information for proper usage of this product. Demonstrate the proper use of the product with the end user. Have the end user demonstrate that they understand the proper use of the product. Please refer to the husky weight demonstrator at: <http://www.huskytow.com/product-support/?dir=Literature/>. (requires Microsoft excel)

**End User:** Read and follow all instructions included in this manual. Ask your Dealer / Installer for assistance if you do not understand the proper use of the product. Never remove any warning decals from the product.

### Application Chart:

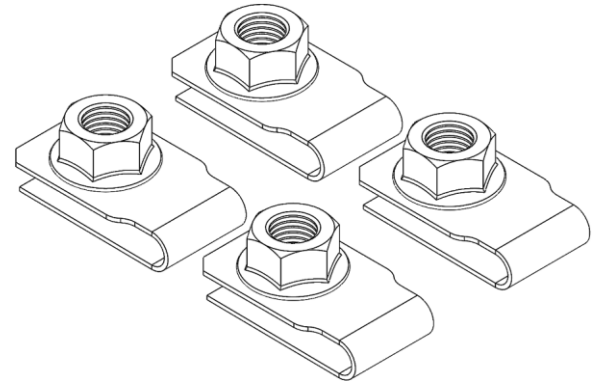
APPLICATION LIST:	# of Clip Nuts Used per Application	Location Used
31395	4	Both Front & Rear Mounting Bolts
31396	4	Both Front & Rear Mounting Bolts
31397	4	Both Front & Rear Mounting Bolts
31407	4	Both Front & Rear Mounting Bolts
31408	4	Both Front & Rear Mounting Bolts
31409	2	Rear Mounting Bolts Only
31564	4	Both Front & Rear Mounting Bolts
31565	2	Rear Mounting Bolts Only
31852	4	Both Front & Rear Mounting Bolts
31853	4	Both Front & Rear Mounting Bolts

#### Contents of Clip On Nut Service Kit

Description	Quantity
Clip On Nut	4

#### Tools Needed

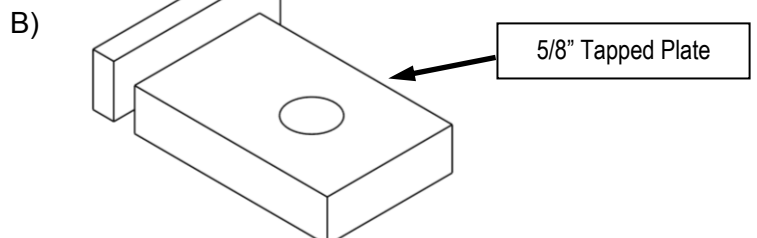
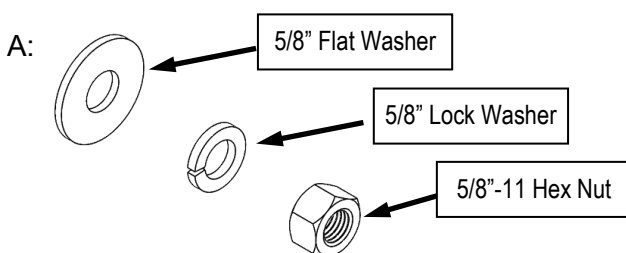
150 Ft-Lb Torque Wrench
15/16" Socket
15/16" Wrench
Safety Glasses



### Warning:

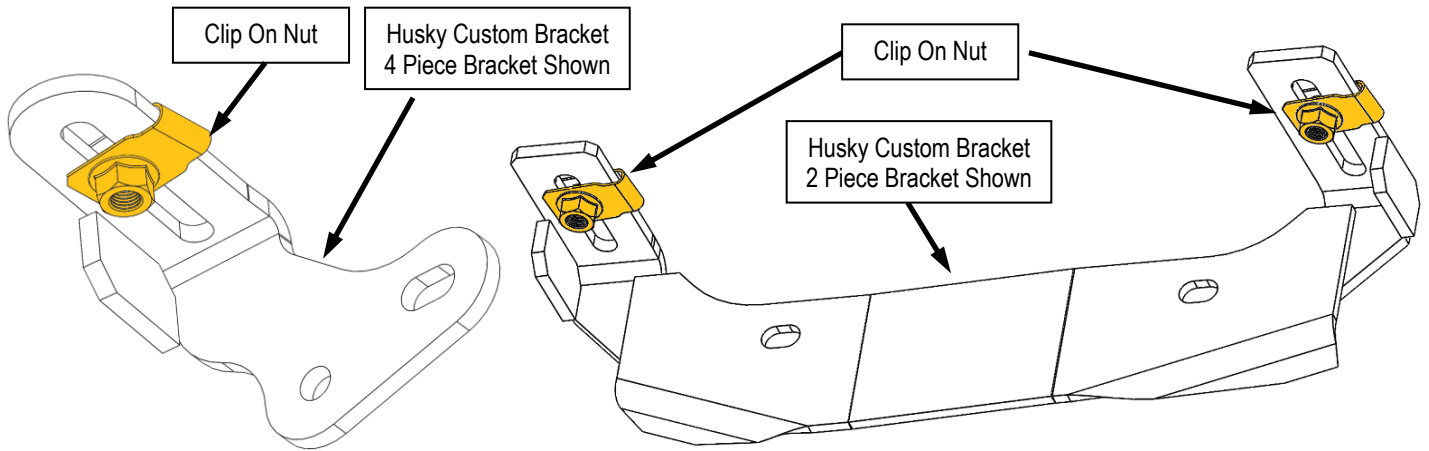
This kit should be used on new custom Husky bracket kit installations ONLY. This kit is NOT to be used in applications where a 5/8" carriage bolt is used. It is to be ONLY used on the installation kits listed above. This kit is intended to replace:

- A) 5/8"-11 hex nuts, 5/8" lock washer & 5/8" flat washer combinations
- B) 5/8" Tapped Plates

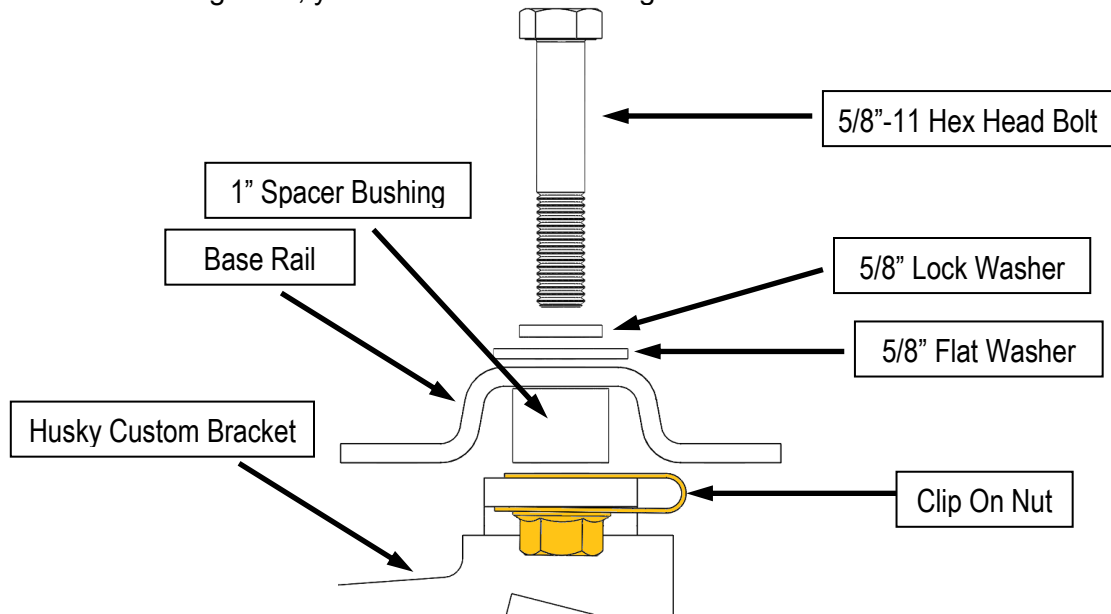


Instruction:

1: Place clip on nut on the bracket as shown. Only install clip on nuts in locations listed on Page 1 in the Application Chart.



2: Install the 5/8"-11 hex head bolts & 5/8" hardware provided in the Husky Custom Bracket kit. DO NOT USE with a carriage bolt; you will NOT be able to tighten the bolt.



3: Follow the Husky Custom Bracket kit instructions for the remainder of the bracket kit installation.

4: Torque the 5/8"-11 hex head **bolt** to 150 ft-lbs. DO NOT apply torque to the nut portion of the clip on nut. You will DAMAGE it.

