



Assembly, Installation, Operation and Maintenance Instructions

P/N: 32333

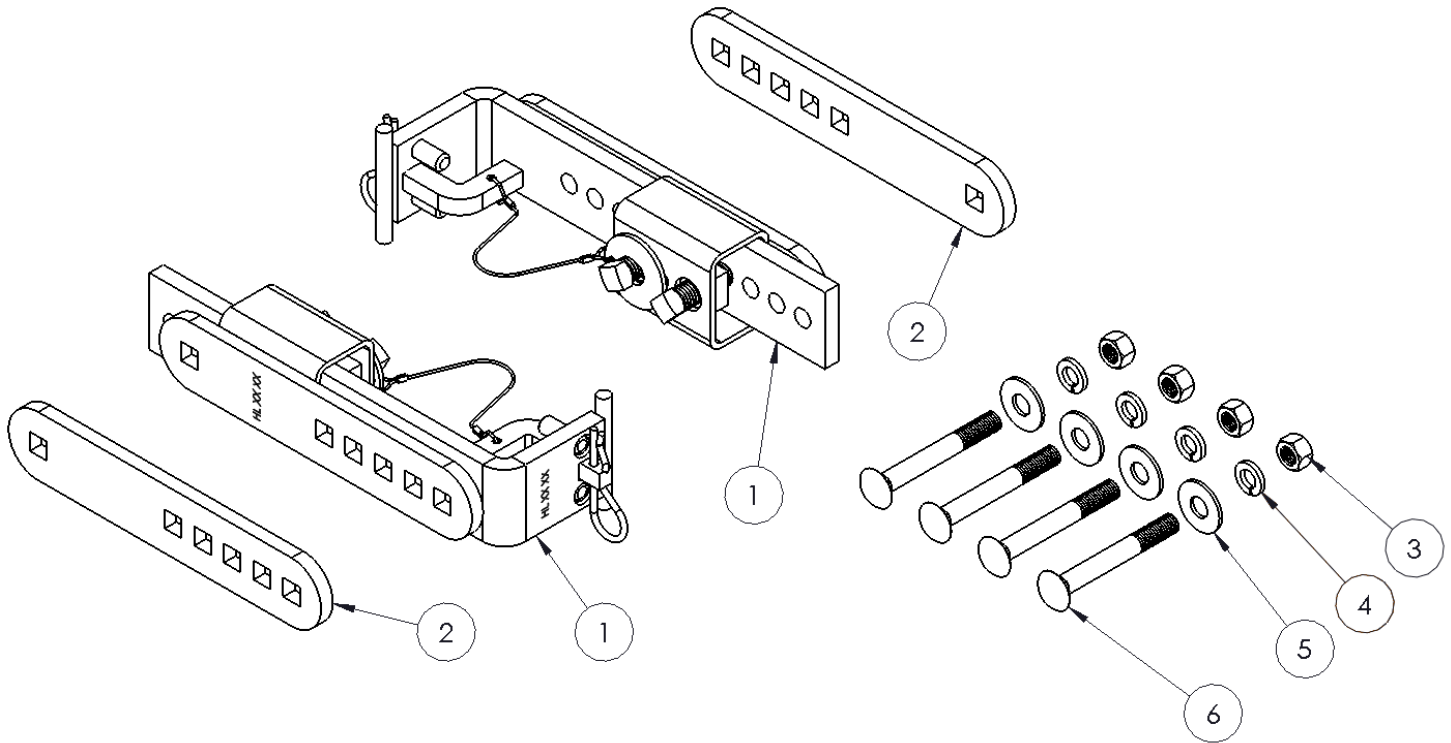
CL TS FRAME BRACKET SERVICE KIT INSTRUCTIONS.

Dealer/Installer: Provide a copy of these Instructions to the end user of this product. These Instructions provide important operating and safety information for proper usage of this product. Demonstrate the proper use of the product with the end user. Have the end user demonstrate that they understand the proper use of the product. Please refer to the husky weight demonstrator at: <http://www.huskytow.com/product-support/?dir=Literature/>. (requires Microsoft excel)

End User: Read and follow all instructions included in this manual. Ask your Dealer / Installer for assistance if you do not understand the proper use of the product. Never remove any warning decals from the product.

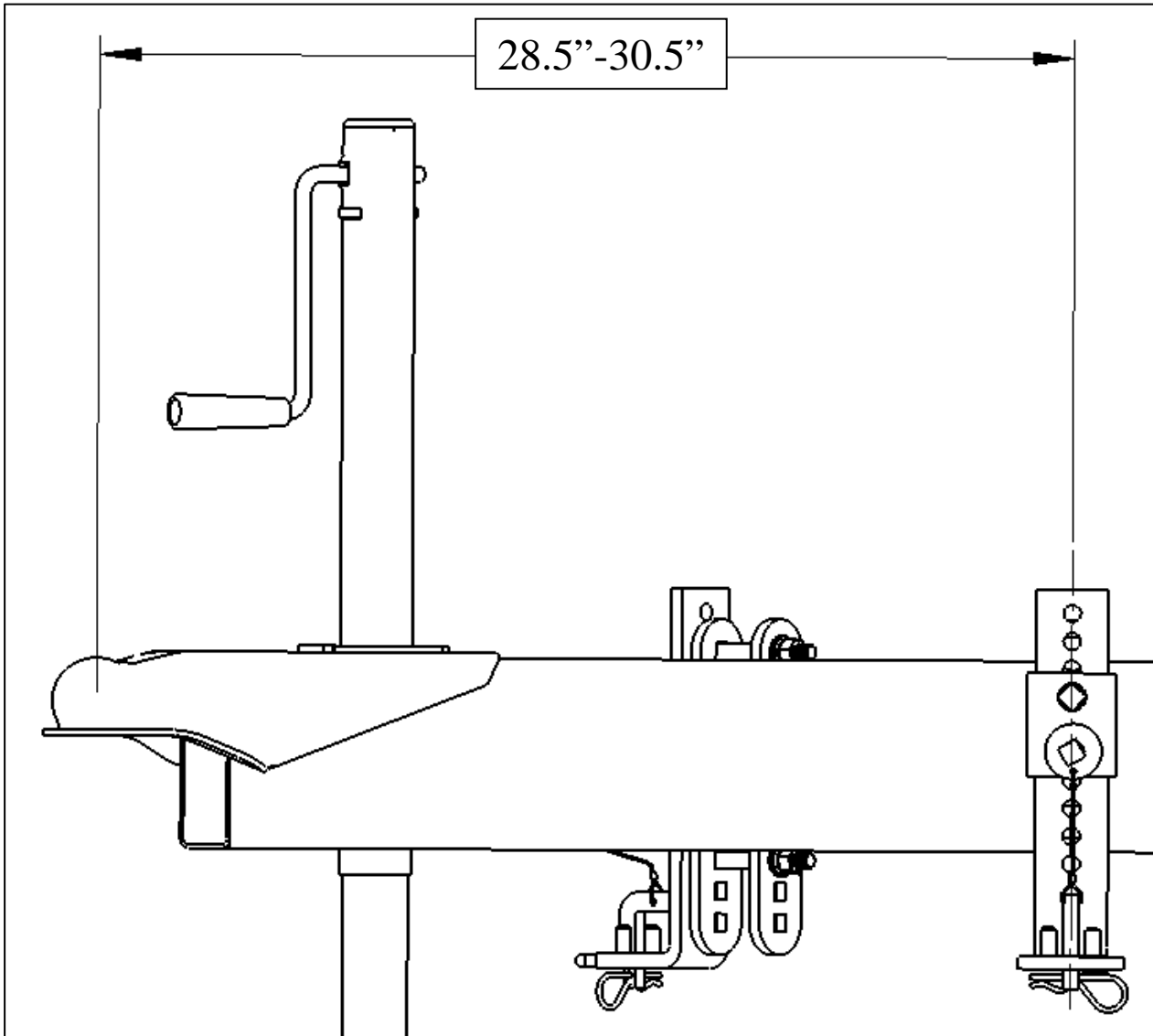
Tools Required:
Tape Measure
5/8" Wrench
3/4" socket & ratchet
Torque wrench capable of 60 ft. lbs.

ITEM	DESCRIPTION	QTY
1	FRAME BRACKET ASSEMBLY	2
2	INNER FRAME MOUNTING PLATE	2
3	1/2-13 HEX NUT	4
4	1/2" ID LOCK WASHER	4
5	1/2" ID FLAT WASHER	4
6	1/2-13 X 4" LONG CARRIAGE BOLT	4



Installing Frame Brackets

Install frame bracket 28.5"-30.5" from center of ball socket on coupler.



Note: When installing new frame brackets, set the position and height of the lift brackets to be the same as the previous ones so as to not change the setup of your "system"

Loosen the 5/8" dog point screws so the lift bracket can be removed from the frame bracket. Use the 1/2" carriage head bolt, flat washer, lock washer and hex nut to hold the frame brackets in place. The bottom carriage head bolt should be in the hole closest to the underside of the frame.

The frame and lift brackets can be mounted on either the driver side or passenger side of the trailer and **MUST** be mounted to the trailer frame as shown. **DO NOT** mount the frame brackets to the inside of the frame!

