



# Assembly, Installation, Operation and Maintenance Instructions

## Ford F-150, 2004-2014, 6-1/2' & 8' beds adapter kit.

## Part # 30619

Use with base rail kit 30686

**Dealer / Installer:** Provide a copy of these Instructions to the end user of this product. These Instructions provide important operating and safety information for proper usage of this product. Demonstrate the proper use of the product with the end user. Have the end user demonstrate that they understand the proper use of the product.

**End User:** Read and follow all instructions included in this manual. Ask your Dealer / Installer for assistance if you do not understand the proper use of the product. Never remove any decals from the product.

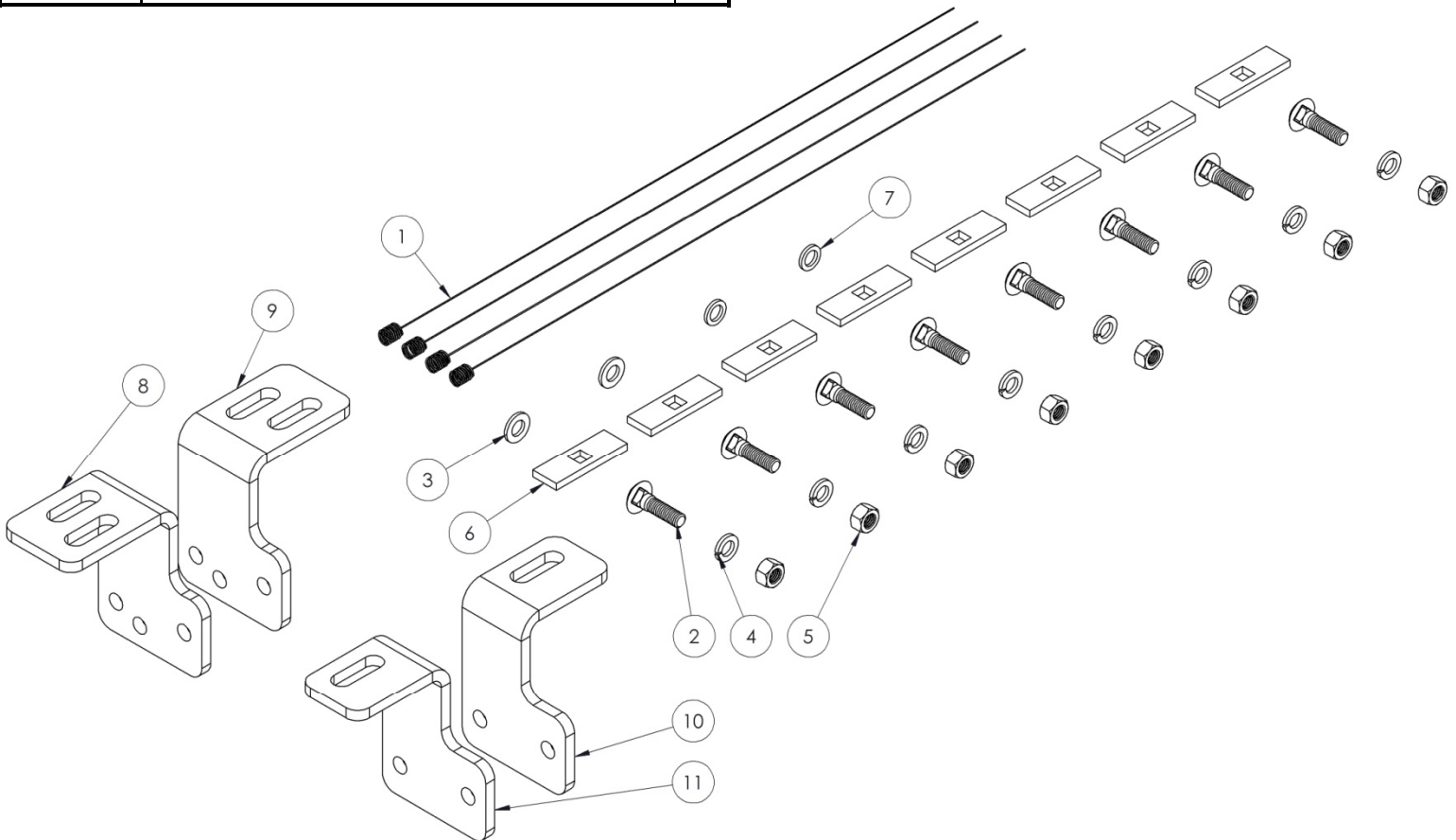
ITEM NO.	Description	QTY
1	PULL WIRE, 1/2"	4
2	1/2" 13-UNC X 1-3/4" CARRIAGE BOLT	8
3	1/2" ID X .970" OD FLAT WASHER	2
4	1/2" LOCKWASHER	8
5	1/2-13 UNC HEX NUT	8
6	1/2" X 1" X 3" SPACER PLATE	8
7	1/2 ID X .8125" OD FLATWASHER	2
8	BRACKET - LH REAR	1
9	BRACKET - RH REAR	1
10	BRACKET - LH FRONT	1
11	BRACKET - RH FRONT	1

**WARNING!** Never exceed the towing capacity of the tow vehicle.

**Center Bolt Kit 32059 (sold separately) must be used when towing with a 26K hitch, Goose Neck, or Maneuvering System.**

**CAUTION:** Do not install base rails over plastic bed liners. Plastic bed liners must be cut out of the way. Rails may be installed on spray in liners. Consult spray liner installer for recommended curing time.

Base Rails Not Included



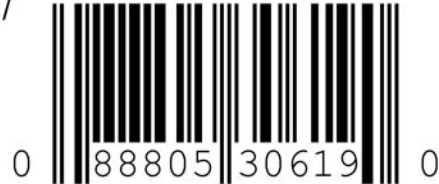
# #30619 FORD F-150, 2004-2014, 6' & 8' BEDS ADAPTER KIT



WWW.HUSKYTOW.COM

Designed & tested in the USA & Made in China for /  
Conçu et testé aux É.-U. et fabriqué en Chine DTS  
Manufacturing, Wilsonville, OR 97070

P.O. #:



**The date code for this product is located on the UPC label**

**Please retain this info for your records.**

# Warranty Terms:

## 5 Year Limited Warranty:

This warranty applies solely to Husky 5<sup>th</sup> Wheel Installation Kit manufactured by DTS Mfg. for Husky Towing Products.

Husky Towing Products and DTS Mfg. make no guarantees or warranties for products not manufactured by DTS Mfg. Such products are covered solely under any applicable warranty of the manufacturer. It is always recommended that the operating instructions and guarantee instructions provided by the manufacturer are followed.

DTS Mfg. warrants its products to be free from manufacturing and material defects to the original purchaser for the length of warranty stated above from the date of retail purchase. If any products are found to have a manufacturing or material defect, the product will be replaced or repaired at the option of Husky Towing Products and DTS Mfg. with proof of purchase by the original purchaser. The original purchaser shall pay all transportation and shipping costs associated with the return of the defective product and the defective product shall become the property of DTS Mfg.

The Warranty applies to DTS Mfg. products used for individual and recreational purposes. Commercial usage of the DTS Mfg. products limits the warranty to 90-days from date of purchase.

The Warranty applies only to DTS Mfg. products which are found to be defective in manufacturing or material. This warranty does not apply to normal wear and tear of the finished placed on DTS Mfg. products.

Husky Towing Products and DTS Mfg. are not responsible for any labor costs incurred for removal or replacement of the defective product.

Husky Towing Products and DTS Mfg. are not responsible for repair or replacement of any product under the limited warranty where the product was improperly installed, misapplied, altered, abused, neglected, overloaded, misused or damaged as a result of an accident, including any use of the product not in accordance with all product operating and safety instructions.

Without limiting the generality of the foregoing, Husky Towing Products and DTS Mfg. shall under no circumstances be liable for any incidental or consequential loss or damage whatsoever arising out of, or in any way relating to any such breach of warranty or claimed defect in, or non-performance of the products. Some states do not allow the exclusion or limitation of incidental or consequential damages, so the above exclusion or limitation may not apply to you.

This limited warranty gives you specific legal rights, and you may also have other rights that vary from state to state.