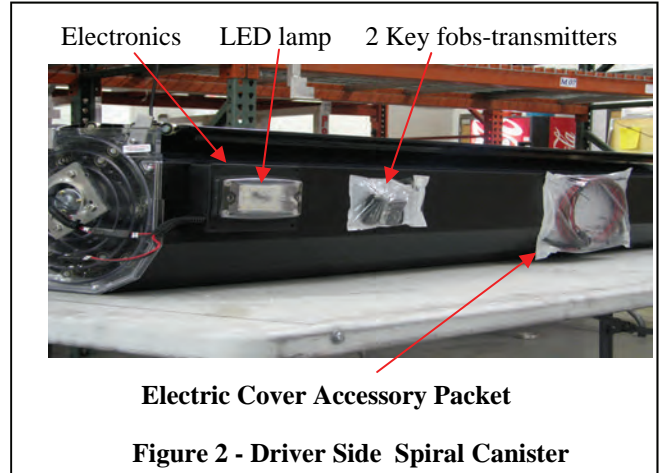
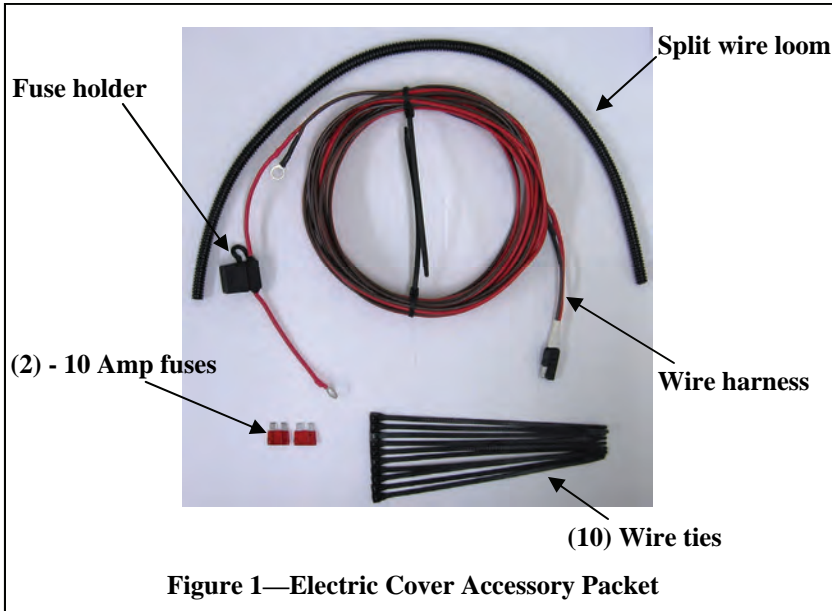


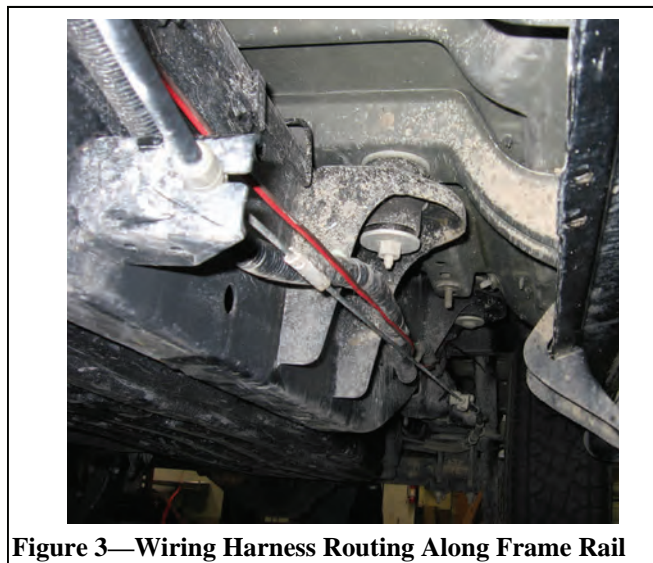
IMPORTANT: Follow these instructions BEFORE installing the Retrax cover

Note: Use caution when cutting the wire ties holding the wire harness together so you do not cut wires. Inspect wiring. Do not install damaged wires as they could become a hazard.



Routing wiring harness from battery to truck bed.

1. Using a Wire tie, secure the fuse holder end of the wire harness near the battery (red wire and brown wire)
Note: Do not connect the wiring harness to your battery
2. Route the wire harness to the driver side of the truck if it is not already. (Using wire ties, secure the wiring harness so it does not come into contact with moving parts.)
3. Route the wiring harness down along the frame rails to the truck box as shown in **Figure 3**. Keep the wires as high as possible to prevent damage while driving. Secure the wiring harness with wire ties every 2-3 feet.



4. Two options for routing the wire harness into the truck box are shown below in **Figure 4**.

OPTION 1: Through drain tube holes (Step 12 of the Retrax Installation Instructions). Push 24" of wire through the holes. Use split wire loom to wrap around the wires as a barrier between the wires and the drain tube hole. (NOTE: this may require a larger hole than normal to allow for wires.)

OPTION 2: Route the wiring in the gap between the cab and truck bed (leave about 24" in truck bed). The wires will be hidden under the front weather-stripping of the Retrax cover.

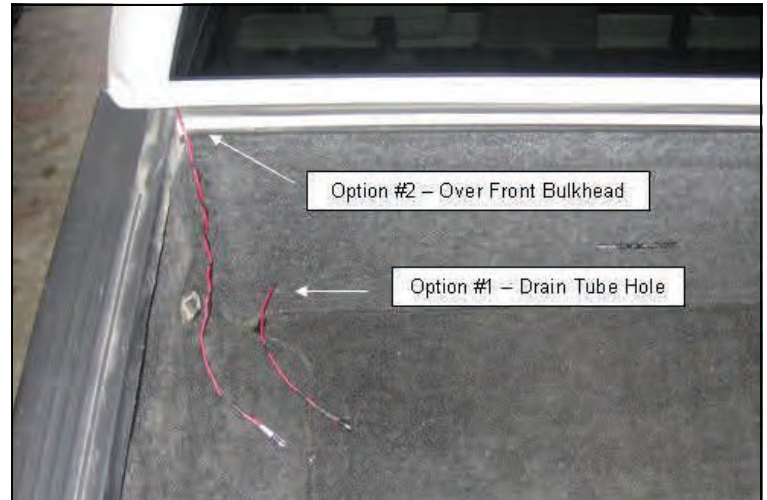


Figure 4—Wiring options in Bed of Truck

Installing the POWERTRAX on the truck

Proceed with the RETRAX Assembly and Installation Instructions Steps 1-10

NOTE: Disregard all references to "Lock." Not applicable for POWERTRAX.

Connect the wiring harness to electronics box and battery

A. There is a white label wrapped with the letter "P" on it to ensure proper connections are made (**Figures 5**). Ensure the connectors labeled P are securely connected. (Connectors labeled "M" will come attached.)

B. Connect the wires to the battery and install a fuse in the fuse holder. The **RED** wire (with the fuse holder) to the **POSITIVE** post, and the **BROWN** wire will connect to the **NEGATIVE** post.

C. Continue with Step #11 of the RETRAX Installation Instructions.

Note: For proper cover operation, ensure rails are positioned correctly (see Fig. 7 below).

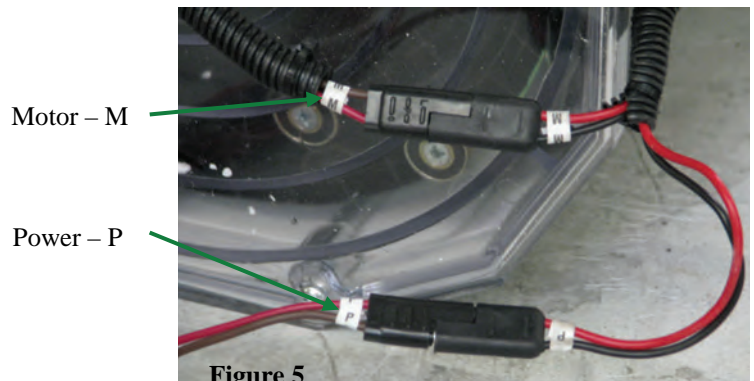


Figure 5

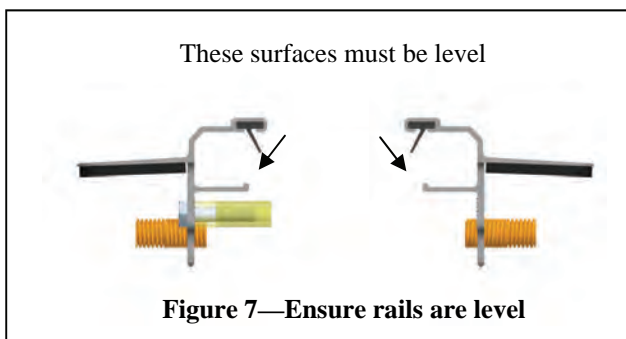


Figure 7—Ensure rails are level

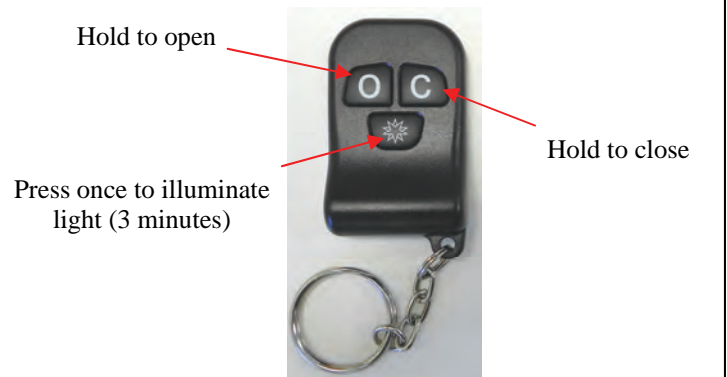


Figure 6 — Operation of the POWERTRAX

Special notes on installing PowerTRAX cover:

The Electric cover has no lock assembly. Cover will not move out of the canister at this point of the installation. On Driver's side hold cover up slightly, insert bearings of rolling cover into the channel of the rail. Line up rail tabs to canister and attach with 2-10x32 screws. Follow the same directions on the passenger side. After connecting the electrical wiring the motor will power up.

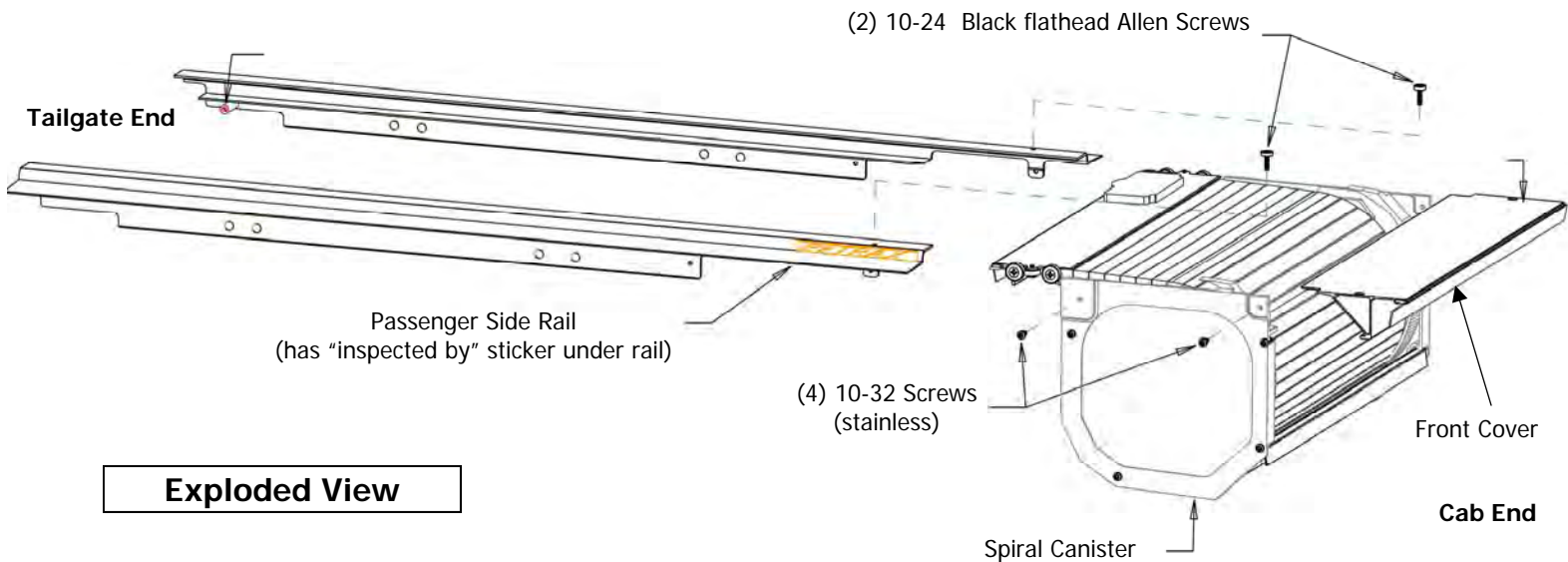
RETRAX PRO™

#4081 Tacoma 2005-up

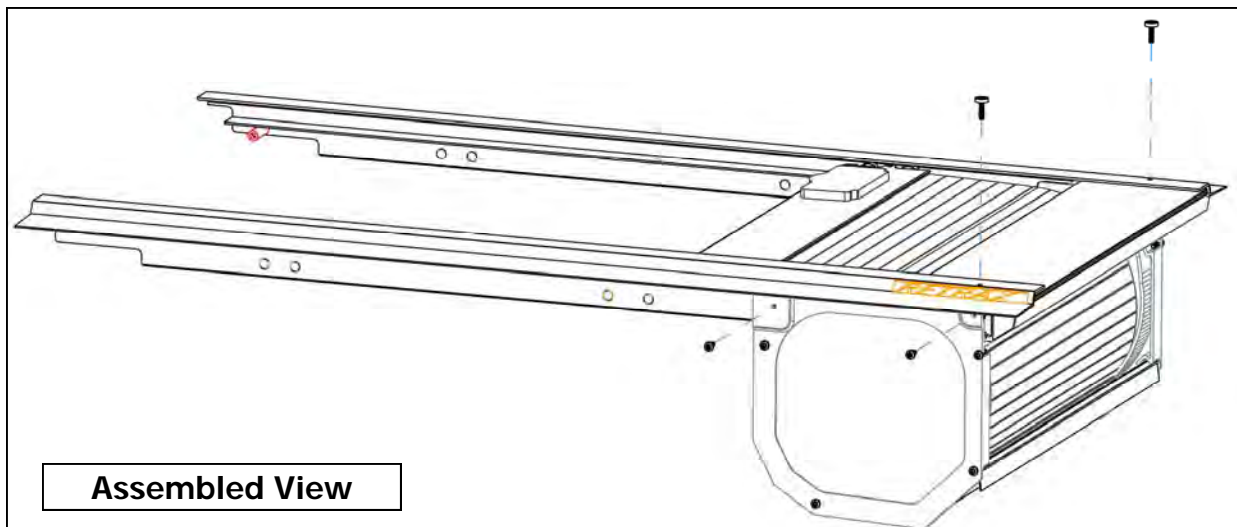
Installation Instructions

Owner's Manual

**Please save Instructions:
Important Warranty and Maintenance
information enclosed**



Exploded View



Manufactured in the USA by
APPLIED PRODUCTS, INC.
An Employee Owned Company
917 South 46th Street
Grand Forks, ND 58201
(701) 746-5596 (Fax) 746-5598
www.retrax.com
retrax@retrax.com
1-800-206-4070

Scan here to view a brief video
on how to install a
RETRAX cover.

Make sure that you have a
QR Code reader application
installed on your smartphone.



Thank you for your purchase of the **RETRAX™** bed cover system.
Please read and follow instructions before un-boxing and assembling the bed cover.

Check for shipping damage.

Keep boxes and packing until installation is complete.

Unpack carefully to prevent scratching.

Remove protective films from cover and canister after installation is complete.

Remove the protective plastic films before exposing to direct sunlight.

Do Not lubricate RETRAX—See Maintenance page for proper care.

Parts checklist for large box

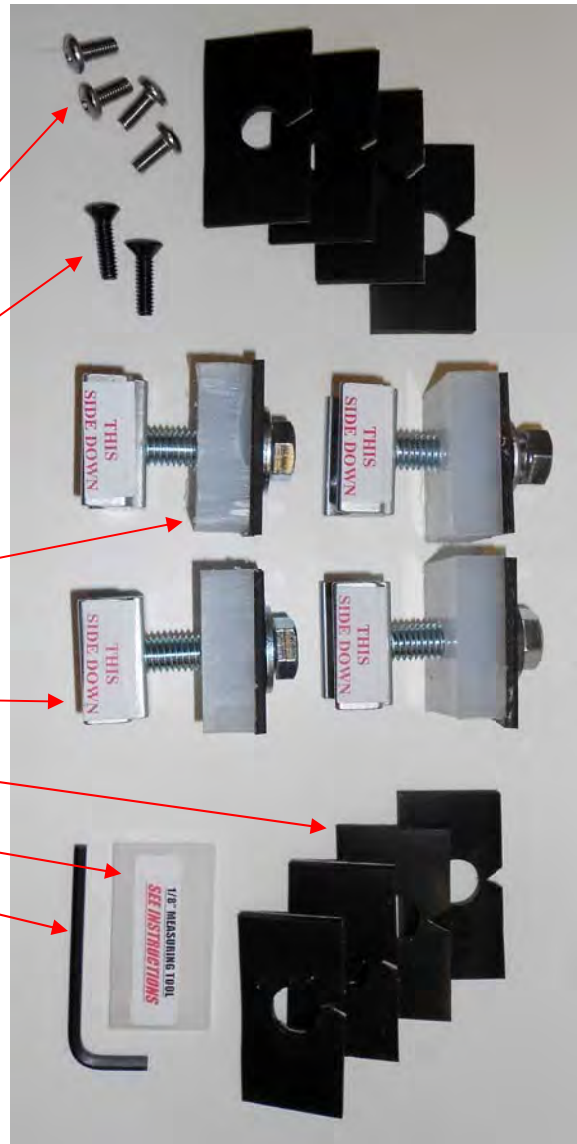
- Instruction packet with 1 roll 3/8" foam
- Cover rolled into canister-spiral assembly
- Front cover for canister (*except for Tacoma 5' models)
- *Tacoma 5' Models - front cover is shipped in 3rd box
- Drain tube kit - Keys

Parts checklist for rail box

- Driver side rail
- Passenger side rail
- Clamp box including:
 - (4) **Rail to Canister mounting screws**
10-32 x 7/16" Stainless Phillips head
 - (2) **Front Cover mounting screws**
10-24 x 3/4" Black Stainless Allen head
 - (4) **Rail Mount Assemblies**
Each assembly includes:
 - (1) 1/2" thick spacer block - 5' models
or 1- 1/4 " spacer block - 6' models
 - (1) 3/8 - 16 x 1-1/2" bolt - 5' models
or 3/8 - 16 x 2 - 1/4" bolt - 6' models
 - (1) rail cleat
 - (1) 3/8" washer
 - (8) **Rubber adjustment spacers**
 - (1) 1/8" measuring tool
 - (1) 1/8" Allen wrench

Tools Needed

- #2 Philips screwdriver
- 9/16" wrench (ratchet works best)



**DO NOT USE LOCTITE!
USE OF LOCTITE VOIDS WARRANTY**

Pre-assembly guidelines

Two or more people are recommended for installation and you should allow 1 to 1 1/2 hours to complete. Floor space about the size of pickup box is needed for assembly of the bed cover and rails. Clear out the pickup box and clean the front and side bed rails.

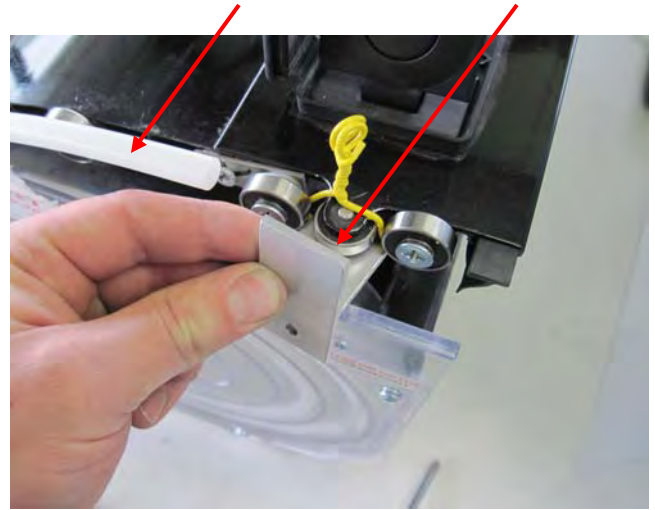
Drain tubes

- (2) 1/2" drain tubes connect to the bottom of canister and can exit out the floor or front of the pickup bed. If needed a 1/2" hole can be drilled into both front corners of the box. The bed is composite and will not rust.

STEP 1 Remove the shipping bracket and yellow wire. Completely remove white shipping tubes.

Shipping tube Shipping bracket
Remove these items only!

The shipping brackets can be disassembled simply by removal of the 10-32 screws fastened to each side of the canister **(Remove these items only)**. The tail-gate can then be lifted away from the canister allowing for the removal of the shipping bracket by sliding the T-channel out from the wire ties. The wire ties can then be removed from the bearings without the need for cutting the wire. Pull white shipping tubes completely out of the canister.



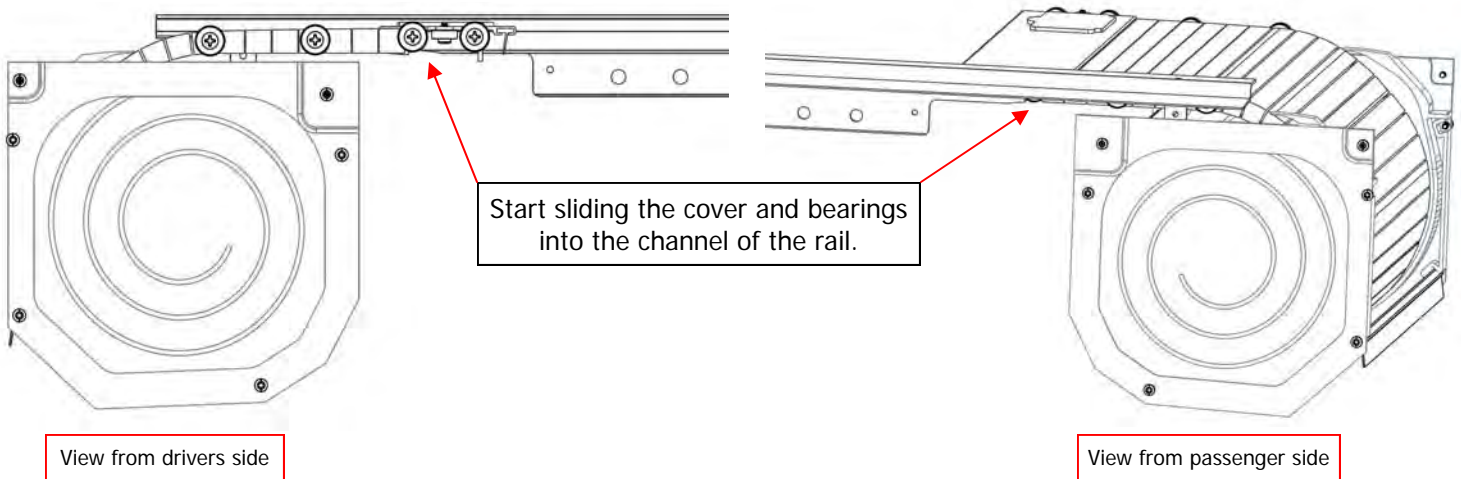
Driver side view of assembly

DO NOT ALLOW THE COVER TO ROLL INTO THE SPIRAL BECAUSE THE BOTTOM OF THE LOCK CAN DAMAGE THE COVER!

STEP 2 Install the passenger rail to the spiral.

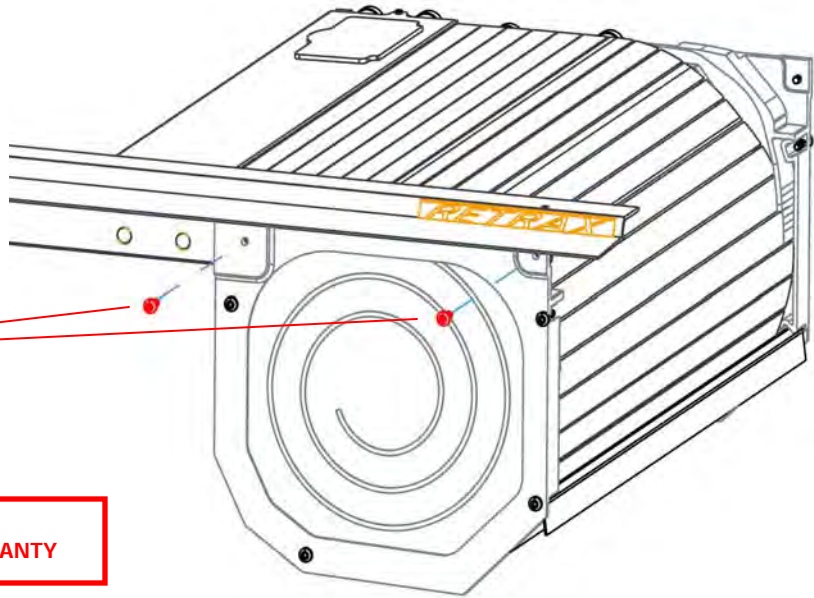
Lift up the lock cover and **open lock** by pressing release button.

Passenger rail has "inspected by" sticker under the front of the rail



STEP 2 continued.

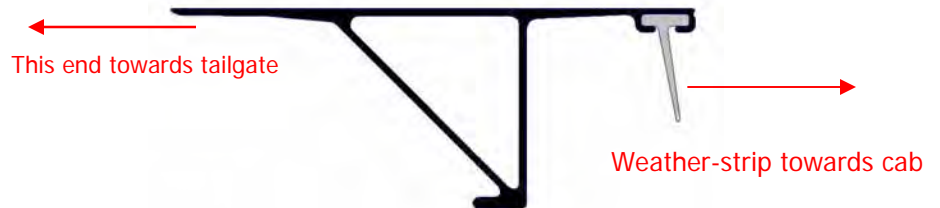
Slide the rail over the cover until the two threaded holes in the rail are lined up **behind** the two holes in the spiral. Attach using two of the **10/32 by 7/16" screws**. **Tighten** using a manual #2 Phillips screwdriver.



DO NOT USE LOCTITE!
USE OF LOCTITE VOIDS WARRANTY

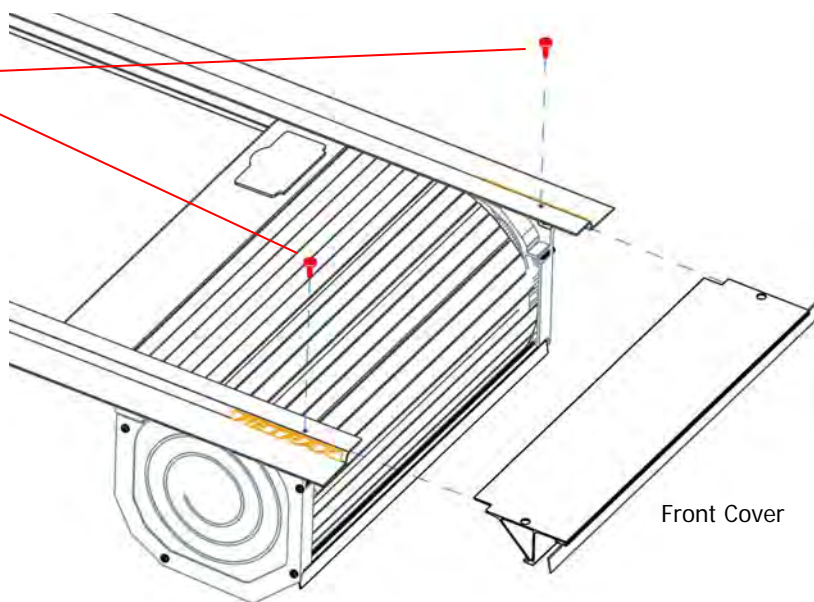
STEP 3 Install the drivers rail. Pull the cover out of the canister 6"-8" (See PowertraxPRO Installation Supplement on how to move electric cover). **Caution: DO NOT** allow cover to roll back into canister until rail is installed. Repeat Step #2 to install the driver's rail.

SIDE VIEW OF FRONT COVER



STEP 4 Install the front cover. The front cover is attached below the rails. Hold the cover level and push both ends in evenly to help slide it into place. When the holes are lined up, start threading the (2) **Front Cover mounting screws**. Tighten the 2 screws securely using the enclosed 1/8" Allen wrench.

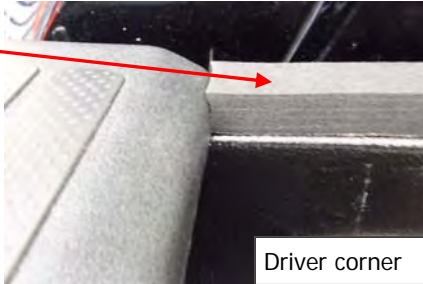
A latch found on a Manual Cover Only. See PowertraxPRO Installation Supplement on how to move electric cover.



STEP 5

Install front rail gasket.

Apply the included foam gasket across the front box rail to compensate for the large difference in height between the front box rail and the side bed rail caps. Be sure foam is added to front bed rail, not the C-Channel rail. Trim to fit.



Driver corner



Passenger corner

NOTE: Remove any accessories from the front C-Channel track. On 6' bed models, the front C-Channel track may have to be REMOVED in order for the RETRAX cover to fit properly (on most trucks).

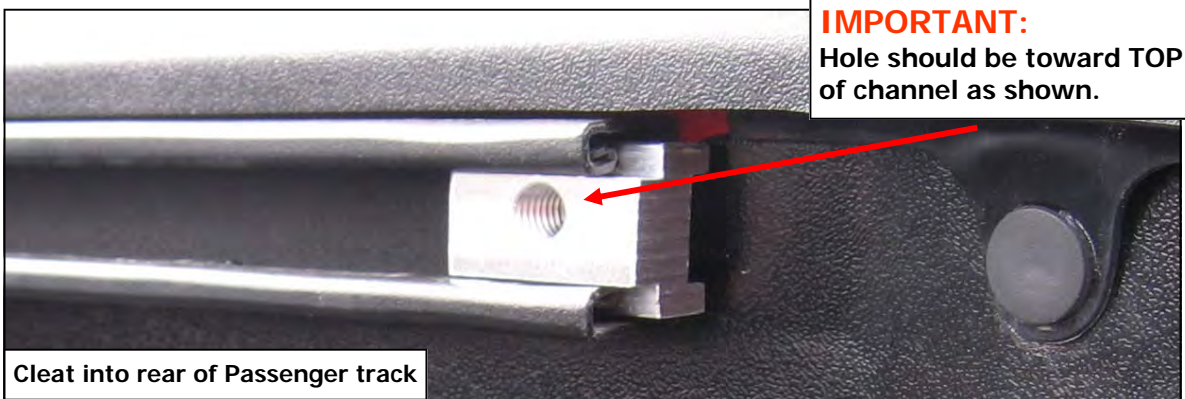
STEP 6 Insert mounting cleats.

Remove and save the black plastic cap at the rear of the Deck Rail track system on both sides of the truck. Loosen and remove tie-downs or other accessories from each side.

Insert (2) mounting cleats into the track system on each side. **(Figure 2)**

Position cleats at these approximate locations - measured from inside of closed tailgate:

11" & 43" (5' bed) or 11" & 60" (6' bed)

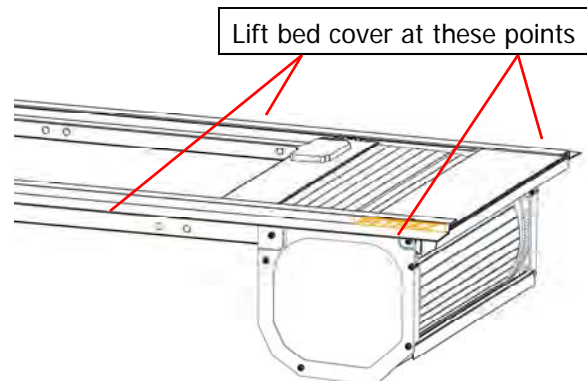


IMPORTANT:
Hole should be toward TOP of channel as shown.

Cleat into rear of Passenger track

STEP 7 Lift the assembled cover into the bed.

Roll the cover into the canister and push down firmly on the rounded end of the lock until it latches. Close the tailgate on the pickup. Using two people, lift the bed cover by the front of the rail and two feet to the back. Set the assembly in place at the very front of the bed. **NOTE: The rubber weather-strip on the front cover should lie on top of the front rail foam - pointed towards the cab.**



Lift bed cover at these points

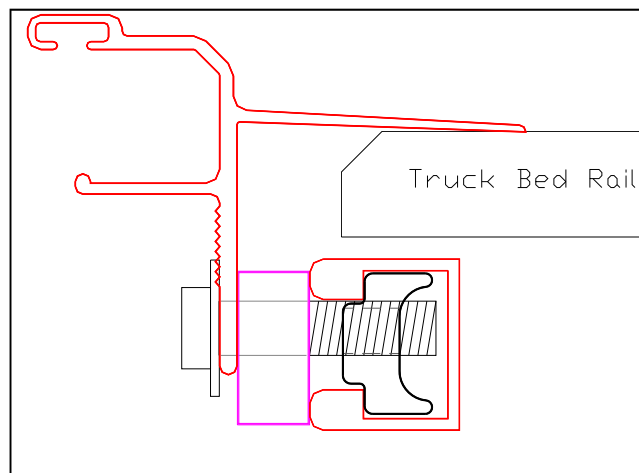
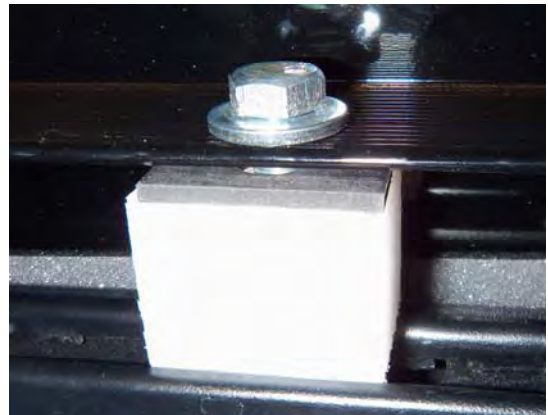
STEP 8 Position the cover. Move the rails forward or back to achieve a 1/8" gap between the bottom notch of the rail and the inside face of the closed tailgate or tailgate protector. Measure both sides. Use the supplied 1/8" thick measurement tool to achieve the correct 1/8" gap.



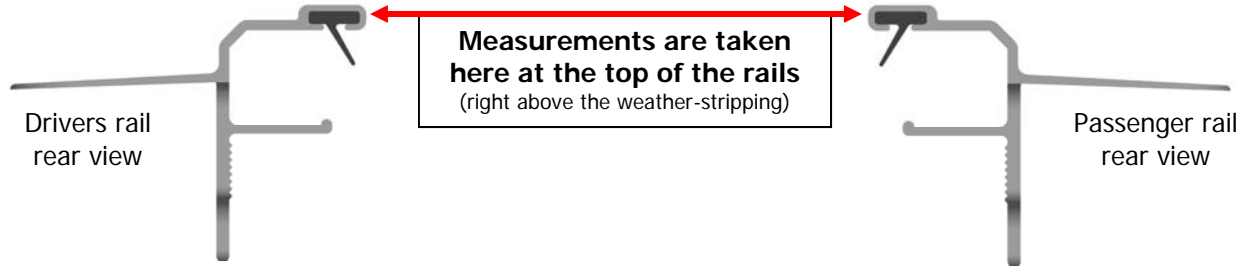
Note: Keep rails from moving once in position 1/8" from the tailgate.



STEP 9 Bolt rails to pickup bed rails. Position rail spacer block and cleat inline with the hole in the rail. Start threading bolt with washer into cleat. Repeat at other 3 mount locations. Keep rail level when tightening bolts



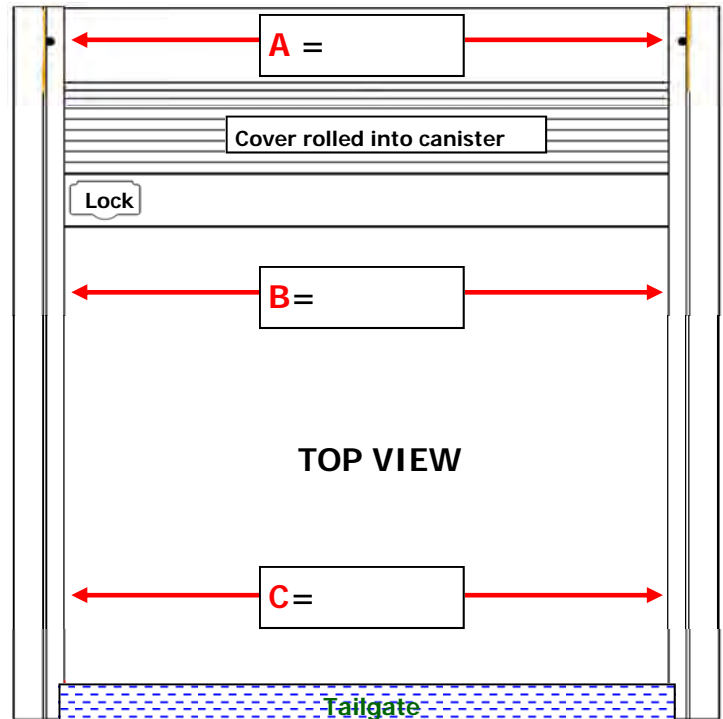
STEP 9 Measure the distance between the rails.
The rails must be the same distance apart from each other (parallel) from the front to the rear. The following steps show how to measure and adjust the rails. Measurements are taken at 3 places starting at the front. The photo to the right shows measurement being taken with a tape measure.



STEP 9 a. Measure and record the distance between the rails at **A** - next to front cover screws. This is your base measurement.

9 b. Measure and record the distance at **B** above the front mount bolts. (with bolts tight)

9 c. Measure and record the distance at **C** above the rear mount bolts. (with bolts tight)
If the measurements at B and C are not the same as A then adjustments are needed. See STEP 10.

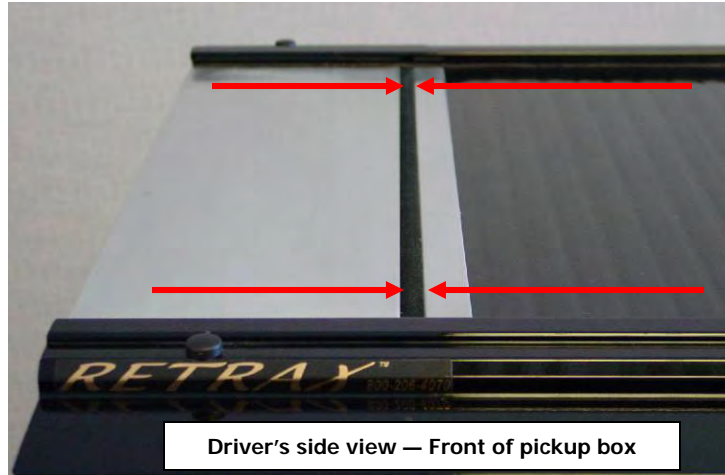


STEP 10 Adjust rails to maintain parallel rails.

If the rails are too far apart add rubber rail adjustment spacers. Loosen the rail mount bolt and slide spacer between bed cover rail and rubber side of spacer block. Continue adjustments until the distance at points **B** and **C** are the same as point **A** when the bolts are tight.



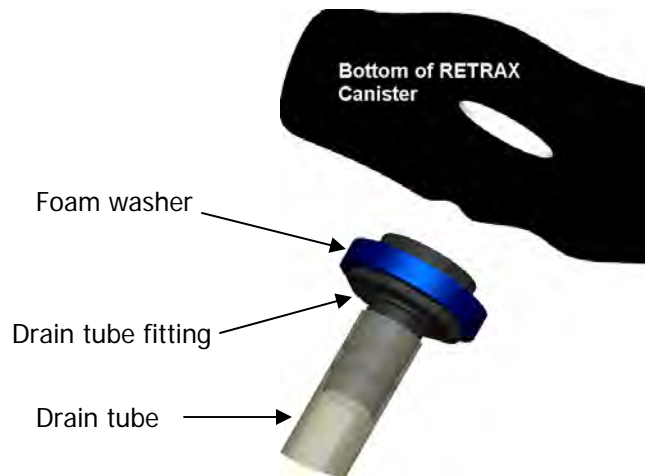
STEP 11 Check for proper fit between the front cover and the rolling cover. Using the lock handle, pull the cover closed over the tailgate and latch. The amount of weather-strip showing at the front of the rolling cover should be close to equal on both the passenger and drivers sides. (Photo shows unpainted parts for clarity) If there is less weather-strip exposed on one side, adjust that rail by loosening the 2 mount bolts and moving that rail towards the cab. Tighten the bolts and close the cover. Check again for equal spacing at the front and readjust if needed.



Driver's side view — Front of pickup box

STEP 12 (a)

Remove plastic film from the canister. Place the foam washers over the drain tube fittings. Push the assembled tubes into the 2 holes on the bottom of the canister. The fitting should lock into place; test by pulling down on the fitting, it should not pull out of canister.



STEP 12 (b) Finish Installing the drain tubes. On some models there are factory drain holes in both front corners, on others there are plastic plugs that can be drilled out for the tubes. You can enlarge existing holes or drill new holes in the front wall or floor if needed. Be careful of what is behind when you drill. If using a plastic bed liner, then holes need to be drilled through the liner only. Cut the tubes to length to fit in desired locations.

STEP 13 Open and close the cover to insure it is rolling without rubbing or binding. Now remove the plastic films from the cover. **(Remove film before exposing to the sun)**

FINAL NOTES: Be sure that all bolts are tight. The top surface of the rails should be level. Loosen the bolts, adjust rail and retighten bolts if needed. You should be able to open and close easily. The rolling resistance will decrease over time as the weather-stripping and bearings break-in.

The lock will push down easily when the cover is completely closed at the tailgate. You also will be able to latch and lock the cover anywhere else along the rail by **pushing down firmly on the rounded end of the lock handle**. In any part way open position; two thumbs may be needed to latch the cover in place. The effort needed to latch the cover will decrease as the lock mechanism takes a set. The lock can be adjusted if needed. At the bottom of the lock is an adjustable steel tip that contacts the rail. To increase or decrease the pressure, loosen the jam nut with a 7/16" wrench, adjust the steel tip in or out with an 1/8" Allen (hex) head wrench, then hold steel tip while re-tightening the jam nut.

DO NOT lubricate the bed cover!
See maintenance on next page.

RetraxPRO MAINTENANCE AND USE INSTRUCTIONS

USE

The Retrax cover has superior quality, rail weather-strip seals. These seals help minimize water intrusion into the pickup bed. The initial break-in period for the rail weather-strip is about 48 hours in the fully closed position. Your cover may be slightly harder to open and close during the break-in period.

Opening and Using the Cover

Using your **RetraxPRO** cover is as simple as opening the lock cover and pressing the button at the center of the latch to pop open the handle (1). If properly installed, the cover should be able to roll open and closed easily with one hand (2). During the break-in period more effort may be needed, but you still should be able to roll the cover open and closed with one hand.



Closing and Locking the Cover

To latch your **RetraxPRO** cover anywhere along the rail, push down firmly on the end of the lock handle using both thumbs (3). It takes this amount of force because it is a friction lock in any open position. The **RetraxPRO** cover is easier to latch in the fully closed position due to a recess in the rail.

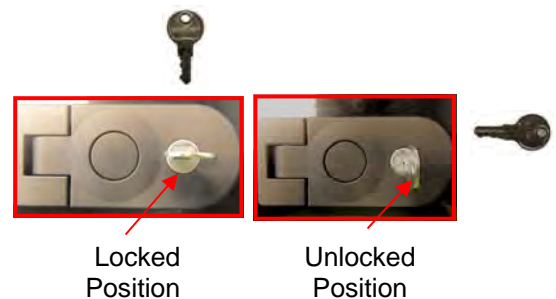


The teeth of the **RETRAX™** keys always face out

Securing Loose Cargo

RetraxPRO covers make transporting loose and large pieces of cargo safe and secure; a unique feature that most tonneau covers cannot claim.

To secure any item too big to fit under the cover, latch the lock handle shut against the item to help keep it in place (4).



MAINTENANCE & CARE

Cleaning and Caring for Your Cover

Treat your **RetraxPRO** cover like you would treat the hood of your truck; you can wash and wax your cover like you would your pickup. The weatherstripping on your cover may absorb soapy residue from a car wash, so we recommend wiping down the inside of your rails from time to time (5).

Important:

NEVER spray any lubricant or cleaner in the rails. This will void your warranty. The ball bearings are sealed and will not need any sort of lubricant or spray.



RETRAXPRO™

The Last Bed Cover You'll Buy

Warranty Statement

Applied Products, Inc. (referred to as manufacturer) warrants each new RetraxPRO retractable pickup bed cover to the original owner as follows:

The RetraxPRO has a limited lifetime warranty for the failure of materials and workmanship. Warranty replacement costs will be prorated after three (3) years.

Items not covered under the warranty:

- Normal wear over the life of the RetraxPRO
- Water intrusion at any location or any damage caused as a result
- Other dealer and/or purchaser installed parts & accessories

Conditions which will void all warranty:

- Lubrication of the rails or sealed ball bearings
- Altering the RetraxPRO in any manner without written approval from the manufacturer
- Use for any purpose other than the normal intended use
- Misuse, negligence or accident
- Installation of any other part or accessory which comes in contact with or may interfere with the RetraxPRO without written approval of the manufacturer
- Failure to register this warranty with the manufacturer within thirty (30) days from the date of delivery
- Failure to adequately secure cargo to prevent damage to the RetraxPRO
- Acts of God or other external causes

Conditions and Limitations

This warranty is subject to certain conditions and limitations including, but not limited to, the following:

- Any part of a RetraxPRO retractable pickup bed cover that is found to be defective under the terms of this warranty will be repaired or replaced using either new or reconditioned parts at the discretion of the manufacturer.
- In determining what constitutes a failure under the terms of this warranty the decision of the manufacturer will be final.
- This warranty is applicable to the original purchaser only and is not transferable to subsequent purchasers.
- The manufacturer does not accept any responsibility in connection with the installation of any of its products by its dealers or agents.

- The manufacturer does not undertake responsibility to any purchaser for warranty express or implied by any of its dealers, distributors or agents beyond which is contained herein.
- Without regard to an alleged defect of its products the manufacturer under any circumstances does not assume responsibility for loss of time, inconvenience, revenue, or other consequential damage including, but not limited to, expenses for telephone, food, lodging, travel, loss or damage to the vehicle the products are installed on or loss or damage to personal property of the purchaser or user of the products.
- The manufacturer reserves the right to make changes in the design of, improvements to, or warranty of its products without imposing any obligation upon itself to provide the same for any products theretofore manufactured.
- Under no circumstances shall Applied Products, Inc. be liable for special, indirect, incidental or consequential damages sustained in connection with the RetraxPRO cover

Some states do not allow limitations on how long the implied warranty lasts, so the aforementioned limitations may not apply to you.

Claim Procedure

If a part fails, the purchaser should return to the selling dealer to determine if the failed part is covered under the terms of this warranty. If a warranty claim is necessary, the dealer will contact Applied Products, Inc. If it is impractical for the purchaser to return to the selling dealer, then the purchaser may contact Applied Products, Inc. directly at 1-800-206-4070. The defective part, along with a copy of the original bill of sale, must be returned prepaid to Applied Products, Inc. at 917 S. 46th St. Grand Forks, ND 58201. At the manufacturer's discretion, photos, a copy of the original bill of sale and the serial number may be submitted in lieu of the returned damaged product to Applied Products, Inc. After determining the validity of the warranty claim, Applied Products, Inc. will ship a replacement part prepaid to the customer. Labor costs to replace defective parts are the responsibility of the purchaser.

If at any time you need warranty assistance, please call 1-800-206-4070 or email us at retrax@retrax.com and one of our technical reps will be happy to help you. When calling or emailing, please be prepared to reference your part number and serial number.

An Employee Owned Company
RetraxPRO— Manufactured by Applied Products, Inc., 917 S 46th St., Grand Forks, ND 58201
www.retrax.com—800-206-4070—(701)746-5596—FAX (701) 746-5598



Made in the USA



Applied Products, Inc.

917 S. 46th St.
Grand Forks, ND 58201
Tel: 701-746-5596
Toll Free: 800-206-4070
Fax: 701-746-5598
Web: www.retrax.com



**Made in the USA by
An Employee Owned Company**