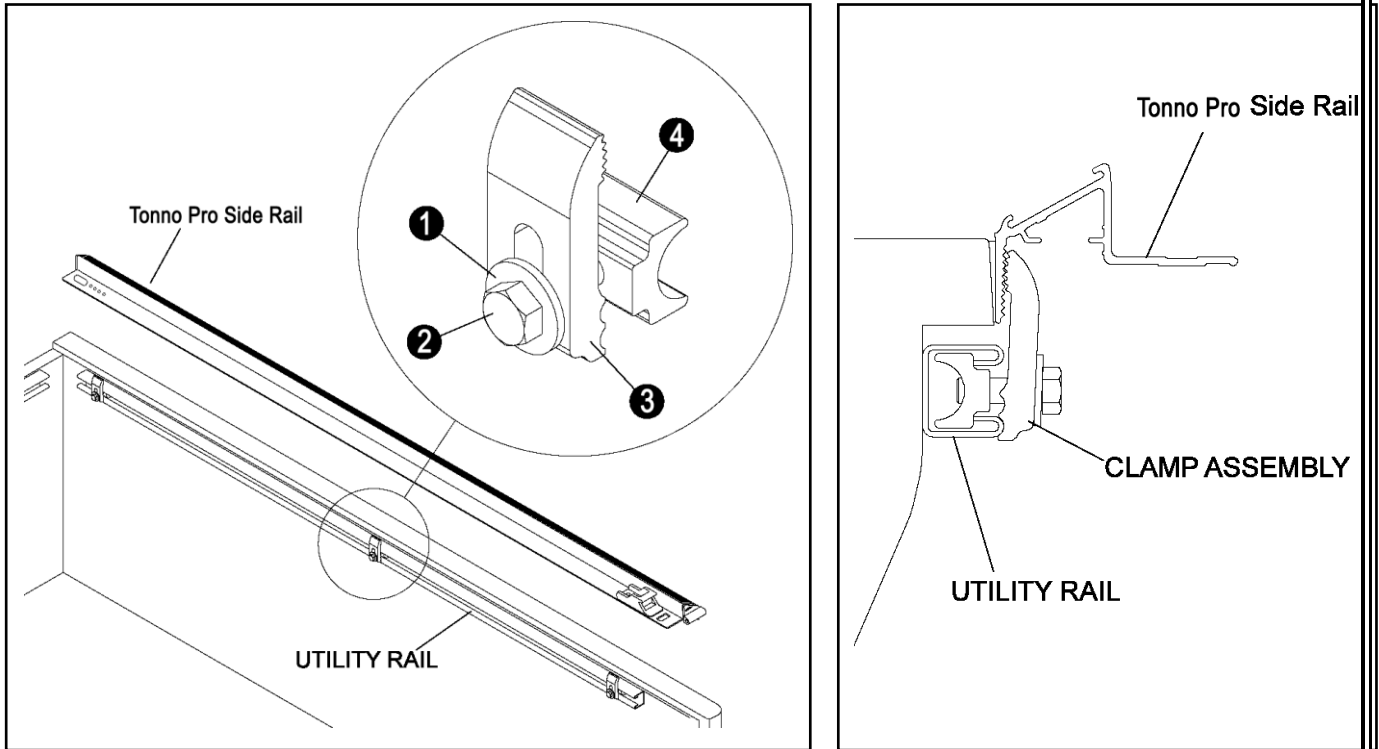


TONNO PRO

#LR-5099

2007-2013 Toyota Tundra with Utility Track System



Contents

1 (6) Washers

3 (6) Male Clamps

2 (6) Hex Head Bolts

4 (6) Female Clamps

STEP 1 – Insert clamp assemblies in the utility track channel.

STEP 2 – Place 3 on the driver side and 3 on the passenger side of the vehicle. See illustration for spacing recommendations.

STEP 3 – See General Instruction Manual for side rail placement.