

# ***TONNO PRO***

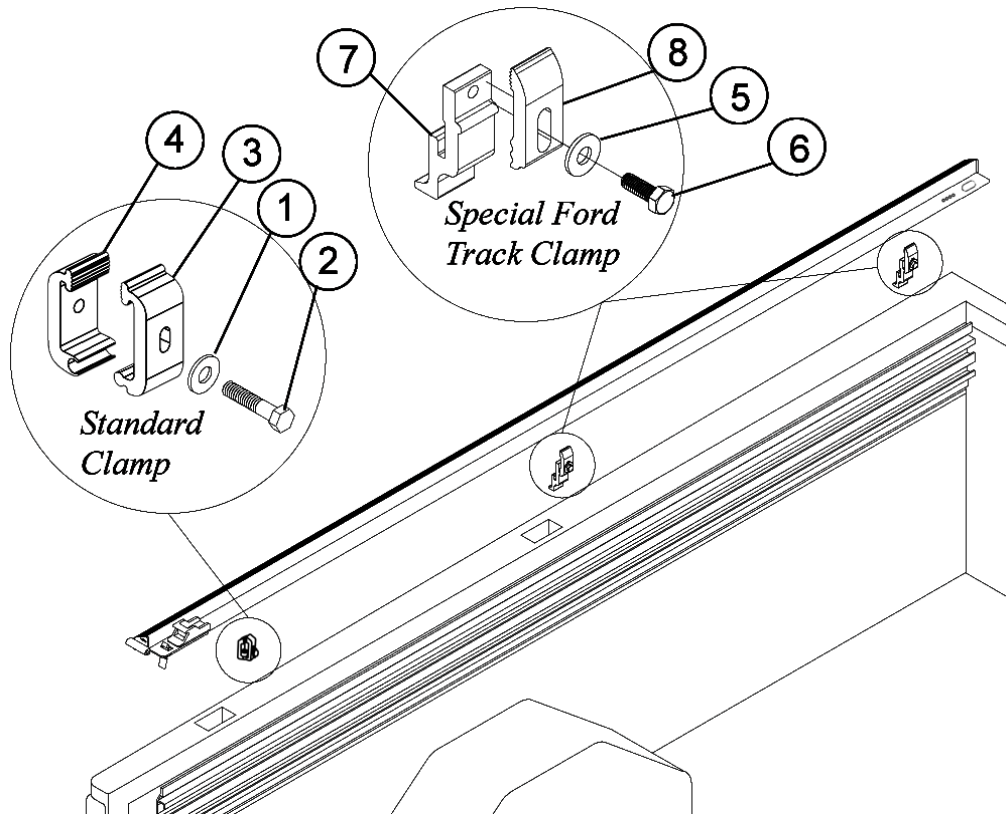
**#LR-3099**

2009-13 Ford F-150 with Utility Track System

## **Locating the proper Clamp Position**

*(2 Special Utility Track Clamps and 1 Standard C-Clamp per side)*

STEP 1 – Place the clamps in the locations shown in the diagram below. The Driver Side of the vehicle is displayed below. Refer to the General Installation Instruction to complete the installation.



### Contents

#### **Standard C-Clamp**

- 1 (2) Washers
- 2 (2) Hex Head Bolts
- 3 (2) Male Clamps
- 4 (2) Female Clamps

#### **Special Utility Clamps**

- 5 (4) Washers
- 6 (4) Hex Head Bolts
- 7 (4) Male Clamps
- 8 (4) Female Clamps