

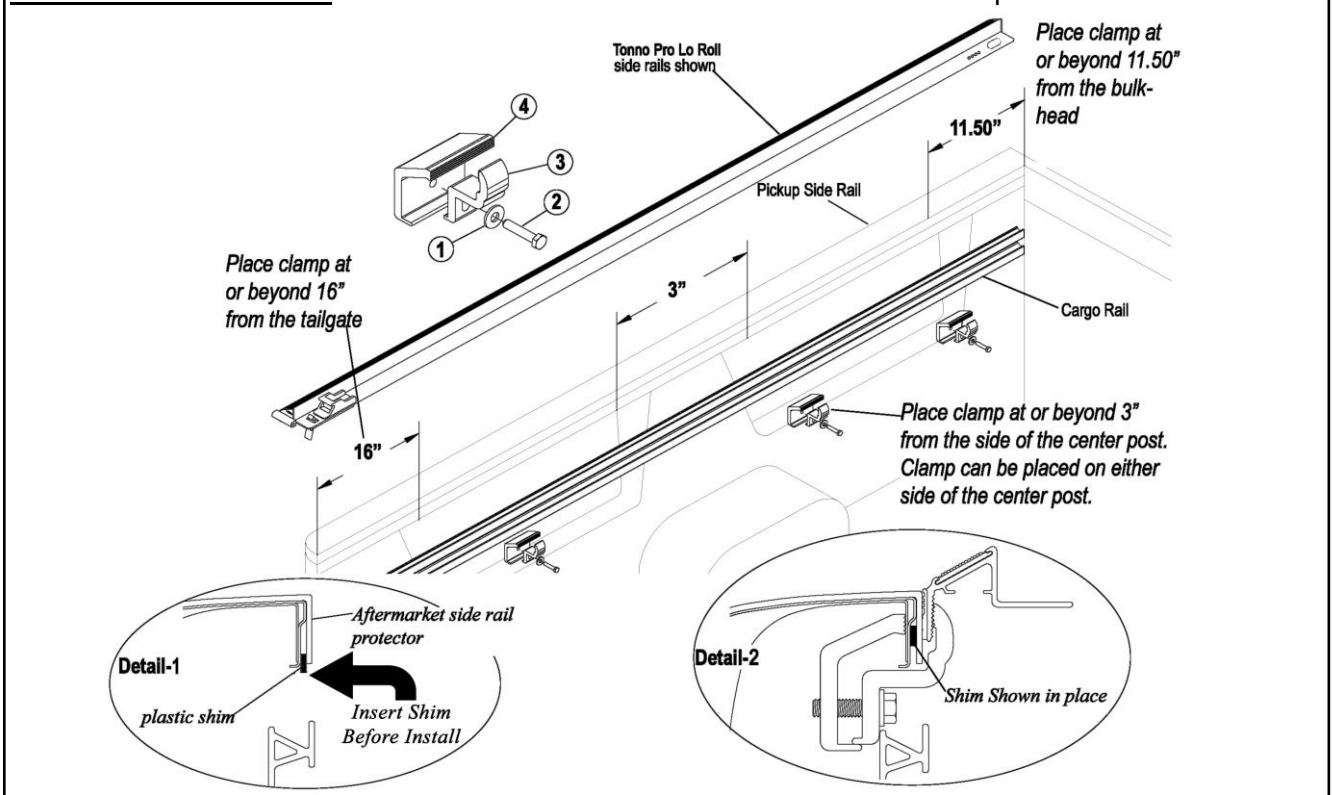
# ***TONNO PRO***

## **#LR-1099**

### 2007-13 GM Utility Track System

*(Note: Incorrect clamping can cause damage to your vehicle. Make sure to only clamp in areas where there are 2- Two layers of sheet metal present. Do not over tighten clamps!)*

STEP 1 – Place the clamps in the locations shown in the diagram below. The Driver Side of the vehicle is displayed below. If your GM vehicle has aftermarket or factory supplied bed rails caps, see the detail #1 & #2 below. Refer to the General Installation Instruction to complete the installation.



#### Contents

- 1 (6) Washers
- 2 (6) Hex Head Bolts
- 3 (6) Male Clamps
- 4 (6) Female Clamps

STEP 2 – Install the Tonno Pro Lo Roll side rail and refer to the General Instruction Manual to complete your install.

