

OWNER'S MANUAL

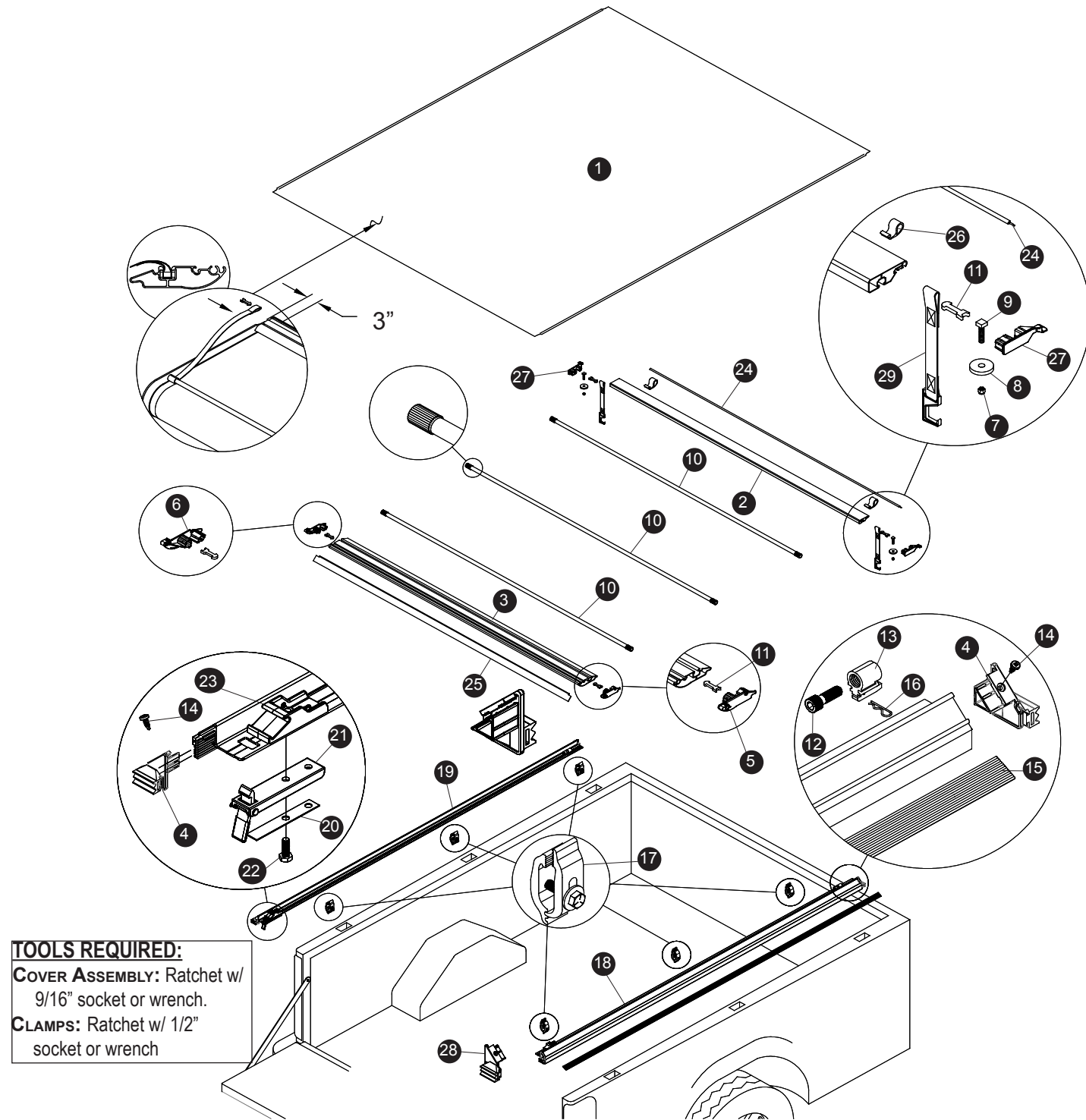
Truxedo® Edge



P.O. Box 1078, 2209 Kellen Gross Dr., Yankton SD 57078
 Phone: 1-877-TRUXEDO (1-877-878-9336) Fax: (605) 664-9304

www.truxedo.com

P/N 1118123 Rev. A



TOOLS REQUIRED:
COVER ASSEMBLY: Ratchet w/ 9/16" socket or wrench.
CLAMPS: Ratchet w/ 1/2" socket or wrench

EDGE TONNEAU COVER REPLACEMENT PARTS

1	*	Replacement Tonneau Cover	11	1115354	Header Insert Safety Clip	20	1114773	Flat Spring, 5/8" x 3 7/8"
2	*	Aluminum Header Front	12	1704250	Tension Control Screw	21	1704213	Latch Assembly
3	*	Aluminum Header Rear	13	1703260	Tension Control Bracket	22	1702926	Cap Screw, 5/16" x 7/8"
4	1117983	Side Rail End Plug Assembly Left	14	1705629	Screw Self-Drill SQ. Head #6-3/8	23	1704187	Header Stop
5	1704517	Rear Header End Plug, Right	15	*	Hook and Loop Fasteners	24	*	Header Seal, Front
6	1704516	Rear Header End Plug, Left	16	1702611	Cotter Pin, 3/64" x 19/32"	25	*	Header Seal, Rear
7	1701580	Hex Lock Nut, 3/8"-16	17	1705391	Aluminum Clamp Assy	26	*	Extruded Retainer Loop
8	1115745	Washer Plastic 1/4 x 1.50 Dia.	18	*	Side Rail, Passenger's Side	27	1117540	Front Header 08 End Plugs (2 Pack)
9	1703455	Square. Hd Cap Screw, 3/8" x 1 1/2"	19	*	Side Rail, Driver's Side	28	1117982	Side Rail End Plug Assembly Right
10	*	Aluminum Bow				29	*	Safety Strap

* Please specify length or make and model of vehicle.

FIVE YEAR WARRANTY

Truxedo warrants that all new, unused products are free from defects in material and workmanship. This Five Year Limited Warranty is effective if the product is properly installed and used for the purpose intended. It applies to the original buyer only. Truxedo's obligation under this Warranty is limited to repairing, or at its option, replacing any part that is returned, transportation prepaid, to Truxedo, Inc. Yankton, South Dakota, if the product is, in our judgment, defective. All materials must be accompanied by an RMA (Returned Material Authorization) number requested by and authorized in advance of returning the materials. Truxedo shall not be liable or responsible to supply or pay labor to replace any part found defective, nor shall it be liable for any damages of any kind or nature to person, product, or property.

There are no Warranties for used products or products that have been repaired, altered, modified, subjected to misuse, negligence, accident or ordinary wear and tear. Warranty registration must be on file and/or proof of original purchase (detailed and dated) required for warranty to be valid. For warranty registration, see form below.

Truxedo products are sold without any express warranty except as set forth above. Truxedo is not obligated to honor warranty claims if Genuine Truxedo parts are not utilized.

DIRECT ALL WARRANTY CLAIMS TO TRUXEDO AT 1-877-878-9336

WARRANTY REGISTRATION

Warranty registration must be on file and/or proof of original purchase (detailed and dated receipt) required for warranty to be effective. Register online at www.truxedo.com or call Truxedo customer service at 877-878-9336 to register your warranty.

OWNER/USER RESPONSIBILITIES

It is the responsibility of the owner/user to read this manual and comply with the operating procedures. The owner/user is also responsible for inspecting the Truxedo® cover, and for having parts repaired or replaced when worn or damaged.

Failure to follow safety instructions and warning labels could result in failure of your cover system and/or personal injury.

MESSAGES TO INSTALLER

- Always wear safety glasses and/or other necessary protective equipment when installing your Truxedo®.
- These instructions are complete for most pickup models. Additional instructions are included, if required for your truck. Please read entire manual before installing your Truxedo®.

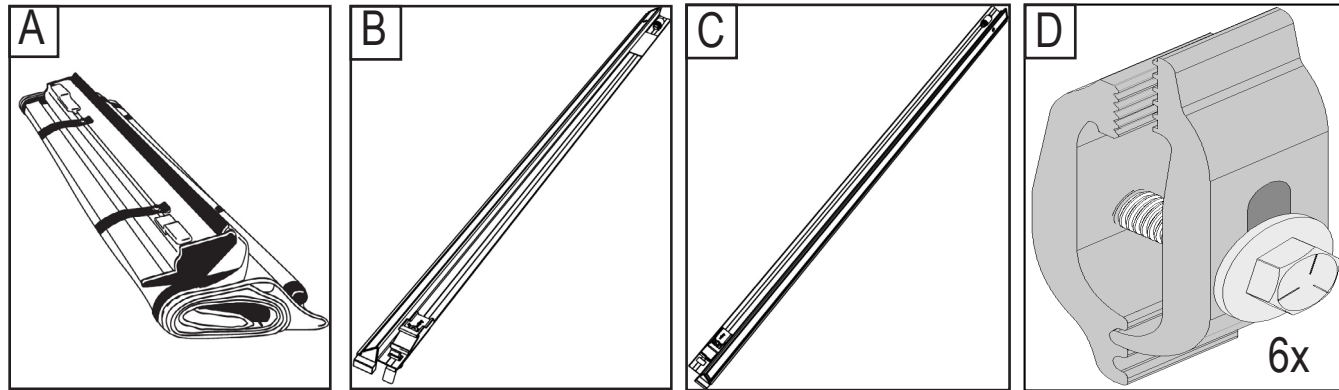
COVER MAINTENANCE

Vinyl cover can be hand washed with mild soap and water or cleaned in a car wash. Thoroughly rinse cover to remove any soap residue. Cover can be treated with any vinyl protectant made for tonneau covers. **Never use any vinyl conditioners (ie, Armor All®) that contain silicone, petroleum, or citrus based products on your tonneau cover as they may crack and shrink the vinyl.**

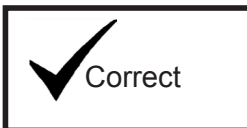
SAFETY INSTRUCTIONS

1. Do not place objects on or against cover or framework.
2. Do not tie cargo to Truxedo framework.
3. **Never** allow children or pets to occupy pickup box while cover is closed.
4. Cover is not airtight. Special care is required to keep cargo clean and dry.
5. Fabric cover won't prevent theft of contents inside truck box.
6. Cover must be rolled fully open and secured with safety straps when towing vehicle backwards.
7. Cover must be rolled fully open and secured with safety straps if any part of the tonneau cover is worn or damaged.

SIDE RAIL & COVER INSTALLATION



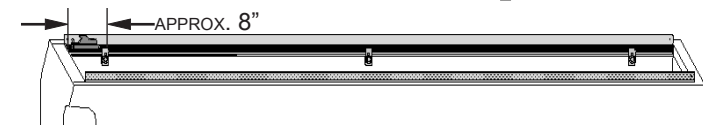
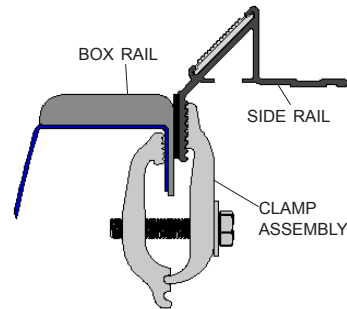
Tools Required



E PLEASE READ MANUAL BEFORE INSTALLING COVER.

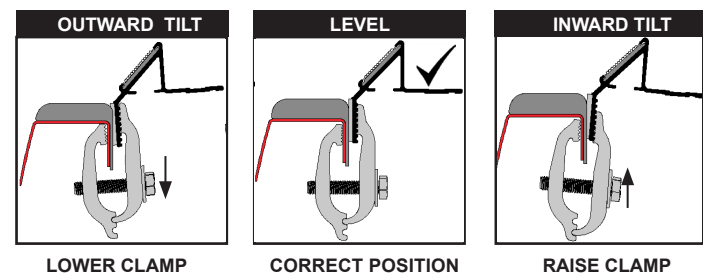
STEP 1: Place side rails on truck box compressing front rail seal slightly. Rails must be flush with box rail and level with each other. Starting at tailgate, evenly space 3 clamps along each side rail, leaving about 8" on each end.

NOTE: High Bed Caps - Adjust side rail height if needed in order to get a good seal at front and back of cover.



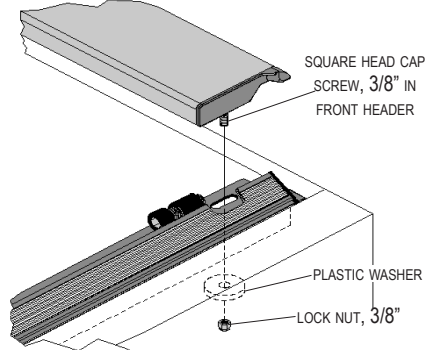
WARNING Tighten clamps securely on side rails before driving vehicle.

STEP 2: For optimum latching performance and cover fit, side rails must be level. To adjust rails, loosen screws and reposition male clamps higher or lower. Tighten all clamps.

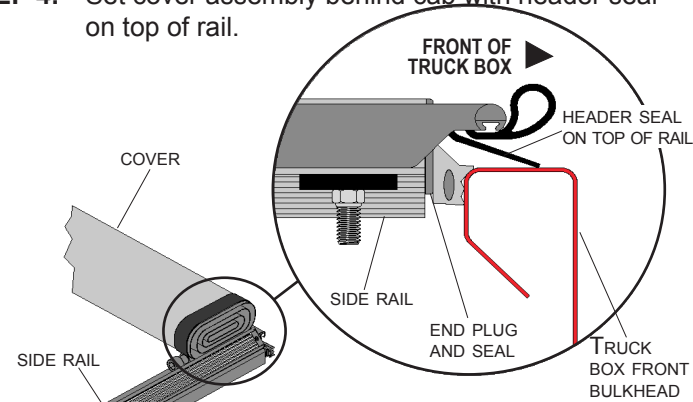


NOTE: Clamp configurations shown above are for reference only, and are not intended to be standard for all pickups.

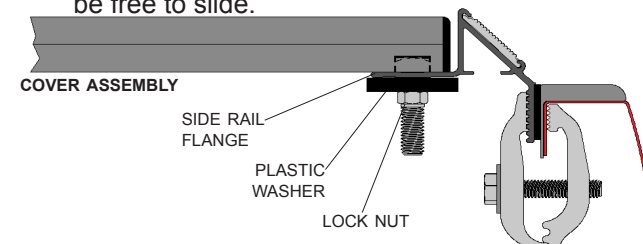
STEP 3: Set cover assembly across cab end of side rails. Insert square head cap screws through slots in side rails. Secure with plastic washers and lock nuts. Finger tighten.



STEP 4: Set cover assembly behind cab with header seal on top of rail.

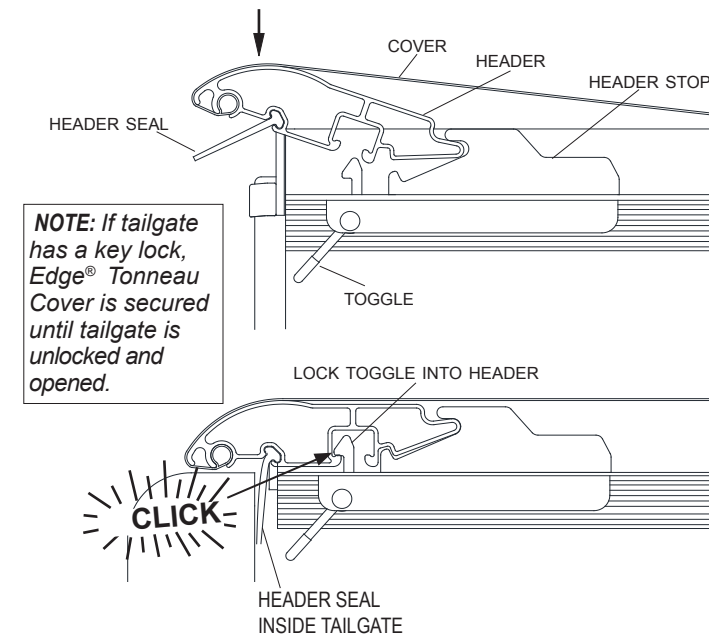


STEP 5: Tighten bolts but do not over tighten. Header must be free to slide.



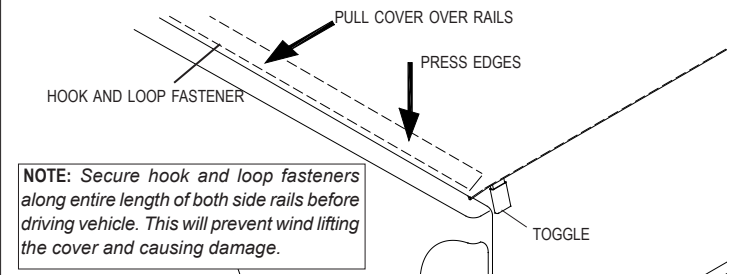
LATCHING & UNLATCHING COVER

STEP 6: Unroll cover toward tailgate and rest bows on side rails. Rotate header into header stops and press down to lock toggle into header. Cover must be closed before closing the tailgate.



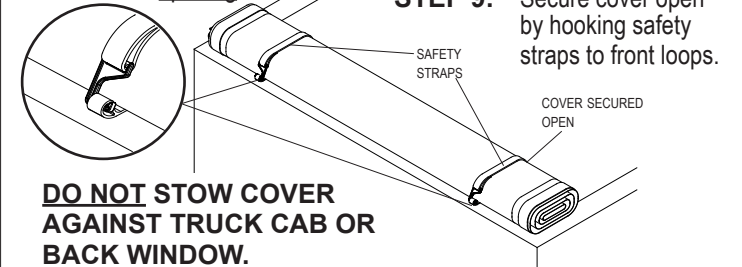
NOTE: If tailgate has a key lock, Edge® Tonneau Cover is secured until tailgate is unlocked and opened.

STEP 7: Secure hook and loop fastener strips on one side of rail, by pressing along full length of rail. Pull cover tight across pickup bed, and secure hook and loop fasteners on opposite side rail.



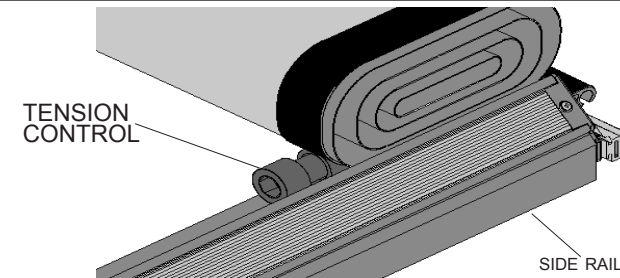
NOTE: Secure hook and loop fasteners along entire length of both side rails before driving vehicle. This will prevent wind lifting the cover and causing damage.

STEP 8: To release cover, Trigger pull rear release toggle. Start rolling cover toward cab making sure both sides of cover roll evenly. For best results leave unrolled portion of cover attached to the hook and loop fasteners while opening.



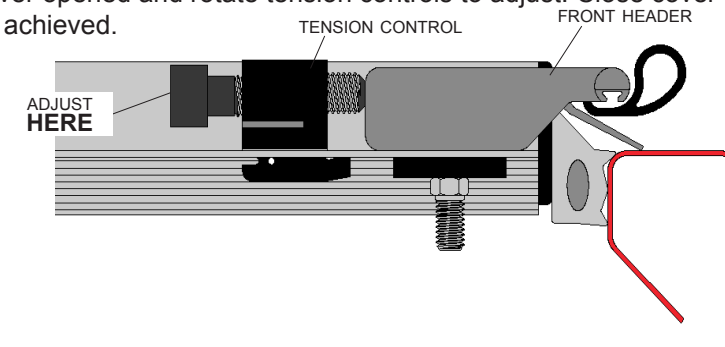
STEP 9: Secure cover open by hooking safety straps to front loops.

COVER TENSION ADJUSTMENT



STEP 10: Set tension during warmest part of day. With cover closed, release hook and loop fasteners from both side rails near cab. Roll cover opened and rotate tension controls to adjust. Close cover and recheck. Repeat until satisfactory tension is achieved.

NOTE: Adjust tension in small increments. Slight adjustments yield significant results.



TROUBLE SHOOTING

HEADER WILL NOT LATCH:

- Check side rails to make sure they are level (Step 2).
- Make sure the header seal is not caught between the side rail and the header.
- Check position of side rails on pickup box - they may be positioned too low (Step 1).
- Close cover first and then close tailgate.

FABRIC COVER IS TOO TIGHT OR TOO LOOSE: Adjust tension (Step 10).

FABRIC COVER IS SHIFTED TOO FAR TO ONE SIDE: unlatch the cover at the tailgate, release the Velcros along both sides, go to the shorter side of the tarp and tug. The fabric will slide in the aluminum headers. Pull on the shorter side until the tarp appears centered on the whole system. Latch cover and secure Velcro down both side. Repeat if more adjustment is needed.

Questions?

Call our friendly customer service staff at TruXedo Toll Free:

1-877-878-9336
Mon - Fri 8 am - 5 pm CST