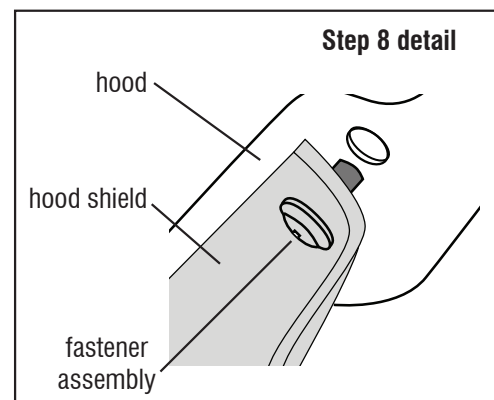
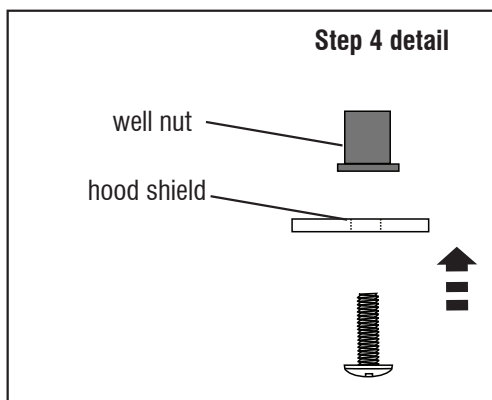
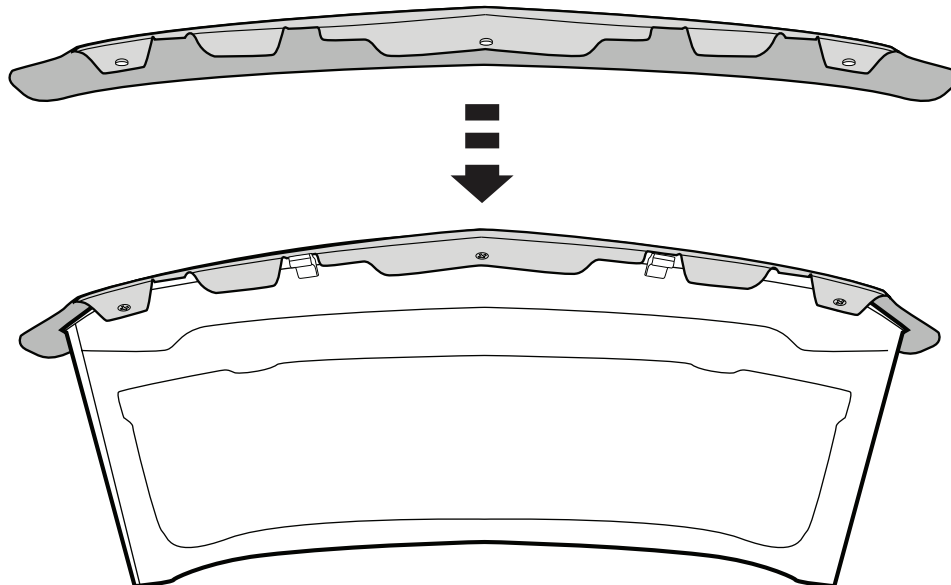


1. Raise Hood.
2. Locate (3) circular holes on the underside of hood. Clean the area around these with a soft cloth.
3. Locate (2) rubber bumpers on the underside of hood. Clean the area around these with an alcohol pad.
4. Attach fasteners to hoodshield by inserting screw through hood shield, and into well nut. **Partially** thread screw into well nut. (See detail below.)
5. Peel back 2" (5 cm) of tape liner off both tape strips to expose adhesive. Fold free ends over so they will be accessible.
6. Center part on front edge of hood and align holes.
7. **NOTE:** Observe the alignment from the side view in order to guide the hood shield with its attached fastener into the proper hole in the hood.
8. With the fastener assembly inserted into hole in hood, secure hood shield to hood by tightening screw to expand well nut. Repeat for remaining fasteners. (See detail below.)
9. Remove remaining tape liner by pulling on free ends, and apply pressure to adhere tape.
10. Close Hood.
11. Apply bump ons to surface of hood.



IMPORTANT: Before driving, ensure the hood shield is properly secured to vehicle. Clean with a **SOFT** cloth and soap and water **ONLY!** Using abrasive cleaners, chemicals, or solvents will **VOID** the warranty on this product.