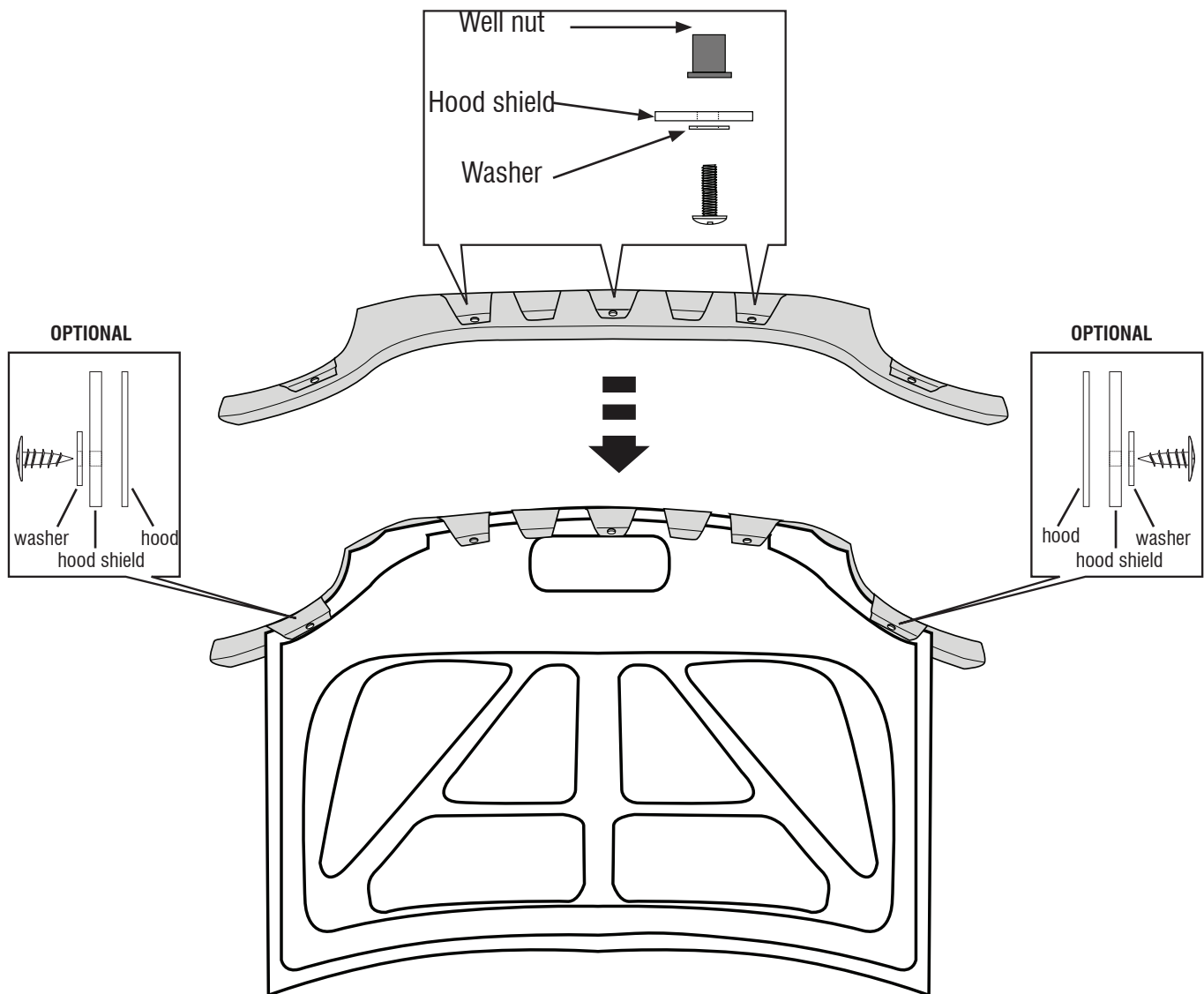


1. Open hood.
2. Locate (3) circular holes on the underside of hood. Clean the area around these with a soft cloth.
3. Attach fasteners to hoodshield by inserting screw through washer, then through hood shield, and into well nut. **Partially** thread screw into well nut.
4. Peel back 2" (5 cm) of tape liner on outboard flanges to expose adhesive. Fold free ends over so they will be accessible.
5. Align hood shield with holes in hood.
6. **NOTE:** Observe the alignment from the side view in order to guide the hood shield with its attached fastener into the proper hole in the hood.
7. With the fastener assembly inserted into hole in hood, secure hood shield to hood by tightening screw to expand well nut. Repeat for remaining fasteners. **NOTE: DO NOT OVER TIGHTEN**
8. Remove remaining tape liner by pulling on free ends, and apply pressure to adhere tape.
9. **OPTIONAL SCREW ATTACHMENT:** Use holes in hood shield as a guide and install (2) self tapping screws with washers in outboard flanges. A power screwdriver is recommended but once the screw penetrates the inside metal panel use a regular phillips screwdriver the remainder of the way. Use caution not to push too hard on self tapping screw and puncture outer hood surface!
10. Lower hood and apply (4) bump on's to hood surface.



**IMPORTANT:** Before driving, ensure the hood shield is properly secured to vehicle. Clean with a **SOFT** cloth and soap and water **ONLY!** Using abrasive cleaners, chemicals, or solvents will **VOID** the warranty on this product.