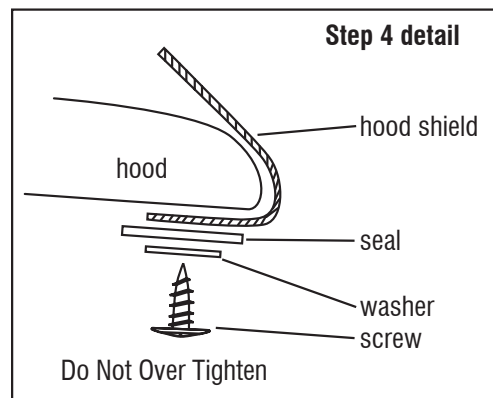
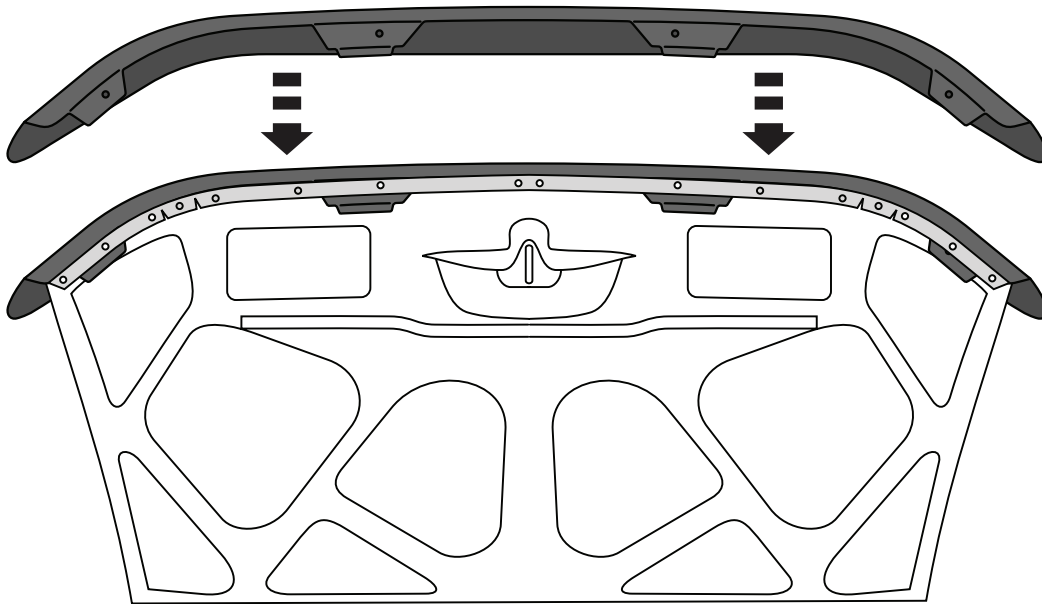


1. Open hood.
2. Remove (4) rubber seal retaining fasteners that align with the pre-drilled holes in the hood shield.
3. Reposition the hood shield with the tabs sliding between the hood and rubber seal and align with holes.
4. Install (4) screws with washers. (See detail below.)
5. Tighten all (4) screws until snug to secure hood shield to hood.
6. Close Hood.
7. Apply bump ons to surface of hood.



IMPORTANT: Before driving, ensure the hood shield is properly secured to vehicle. Clean with a **SOFT** cloth and soap and water **ONLY!** Using abrasive cleaners, chemicals, or solvents will **VOID** the warranty on this product.