

INSTALLATION SHEET

RUGGED LINER

REAR INNER WHEEL WELL LINERS 09-16 FORD F250/350



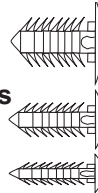
Driver Side Wheel Well (A)

LIST OF CONTENTS:

- (A) 1 - Driver Side Wheel Well
- (B) 1 - Passenger Side Wheel Well

LIK39 KIT:

- (C) 2 - Large Christmas Tree Fastener
- (D) 2 - Medium Christmas Tree Fastener
- (E) 12 - Small Christmas Tree Fastener



Passenger Side Wheel Well (B)

MISSING PARTS???

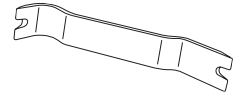
Call Rugged Liner at

800-433-3604

Any required parts will be shipped to you directly.
(DO NOT return whole kit to store)

TOOLS REQUIRED:

- Ratchet using 10mm socket in steps 3 & 8.
- 13mm wrench in steps 3 & 8.
- Easy removal tool or flat screwdriver in step 4.



1

PLEASE READ INSTRUCTIONS CAREFULLY BEFORE STARTING THE INSTALLATION.
One person can perform the installation.



2

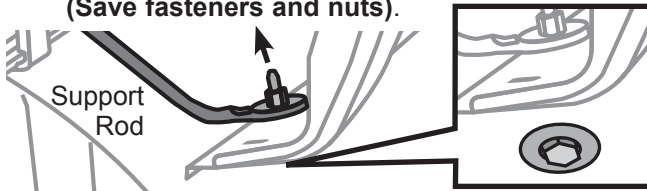
VEHICLE PREPARATION:

It is important that all areas where the wheel wells mount are clean and free of debris prior to installing.



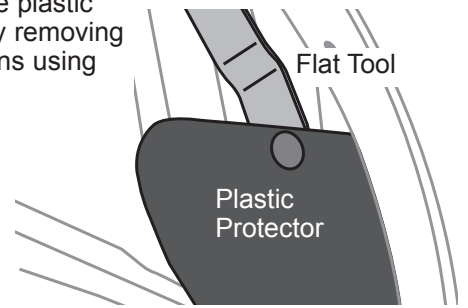
3

Start on the driver side by removing the fasteners and nuts that hold the support rods to the bottom of the wheel fender using a ratchet with 10mm socket and 13mm wrench for front and rear. **(Save fasteners and nuts).**



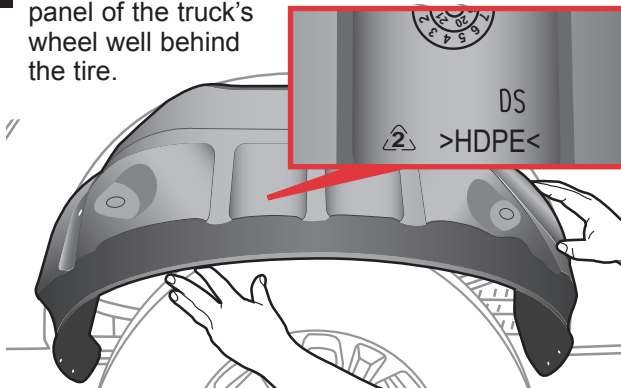
4

Remove the plastic protector by removing the push pins using a flat tool.



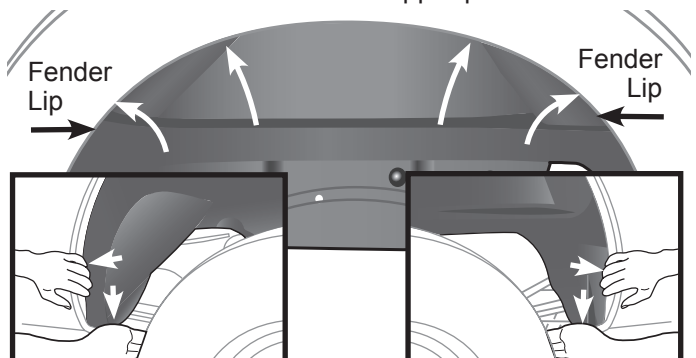
5

Start on the driver side by setting the driver side wheel well (A) marked as (DS) inside the inner panel of the truck's wheel well behind the tire.



6

Tuck the bottom sides of the lower part of the wheel well liner behind the metal lip of truck's fender and then tuck the upper part.

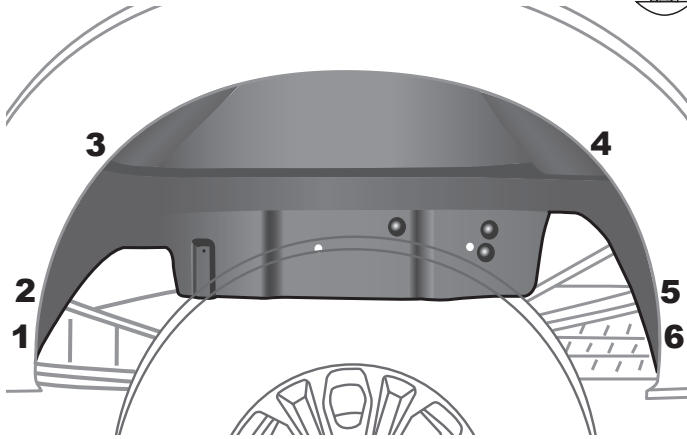


INSTALLATION SHEET

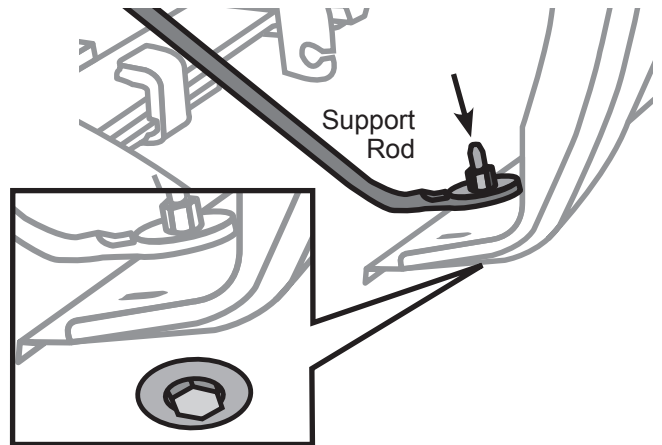
RUGGED LINER

09-16 FORD F250/350

- 7** Locate the (6) pre-drilled holes in the liner and insert a small Christmas tree fastener (E) in each hole and into the pre-existing holes in the sheet metal.



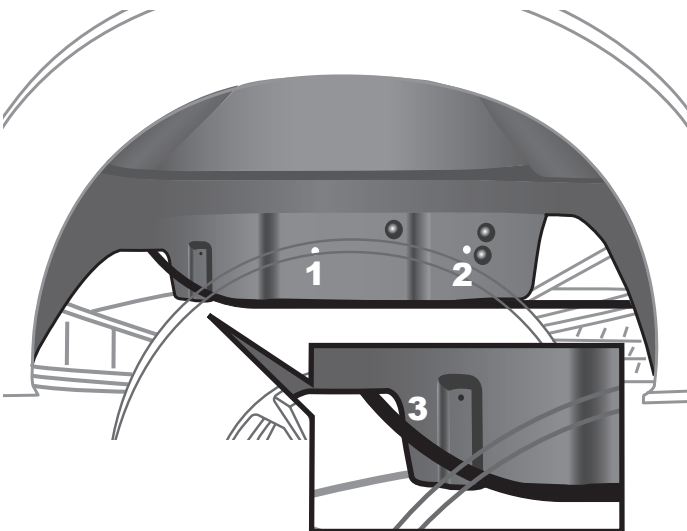
- 8** Re-install the fasteners and nuts you saved from step 3 that hold the support rods to the bottom of the wheel fender using a ratchet with 10mm socket and 13mm wrench for the front and rear.



- 9** Locate the (2) pre-drilled holes near the bottom section of the liner and insert a medium Christmas tree fastener (D) through each hole in the liner and into the pre-existing holes in the sheet metal frame.



Note: Make sure cable 3 is in front of the liner.



- 10 PASSENGER SIDE**
Repeat steps 3-8 using the passenger side wheel well (B) marked (PS). Then follow step 11 below for the last step in passenger side installation.

- 11** Locate the (2) pre-drilled holes near the bottom section of the liner and insert a large Christmas tree fastener (C) through each hole in the liner and into the pre-existing holes in the sheet metal frame.

