

INSTALLATION SHEET

RUGGED LINER

REAR INNER WHEEL WELL LINERS

07-13 CHEVY/GMC



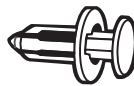
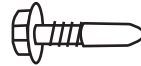
Driver Side Wheel Well (A)

LIST OF CONTENTS:

- (A) 1 - Driver Side Wheel Well
- (B) 1 - Passenger Side Wheel Well

LIK33 KIT:

- (C) 8 - Black Self-Tapping Screws
- (D) 6 - Plastic Push Pins



Passenger Side Wheel Well (B)

AND

11-14HD CHEVY/GMC



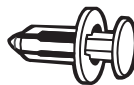
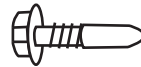
Driver Side Wheel Well (A)

LIST OF CONTENTS:

- (A) 1 - Driver Side Wheel Well
- (B) 1 - Passenger Side Wheel Well

LIK33 KIT:

- (C) 8 - Black Self-Tapping Screws
- (D) 6 - Plastic Push Pins



Passenger Side Wheel Well (B)

MISSING PARTS???

Call Rugged Liner at

800-433-3604

Any required parts will be shipped to you directly.
(DO NOT return whole kit to store)

TOOLS REQUIRED:

- 5/16" (8mm) socket / driver for step 3.
- Drill with socket attachment for steps 5 & 6.

1

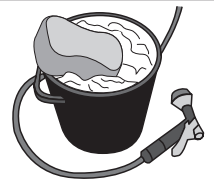
PLEASE READ INSTRUCTIONS CAREFULLY BEFORE STARTING THE INSTALLATION.
One person can perform the installation.



2

VEHICLE PREPARATION:

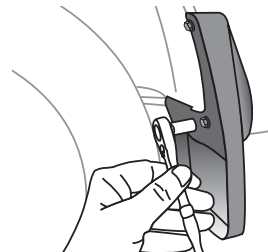
It is important that all areas where the wheel wells mount are clean and free of debris prior to installing.



3

For Trucks with Mud Flaps:

Remove mud flaps before installing wheel well liners.
Then follow steps 3-8.
Re-install mud flaps.

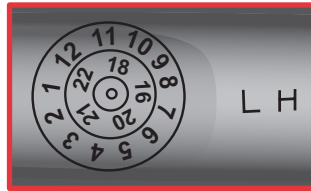


INSTALLATION SHEET

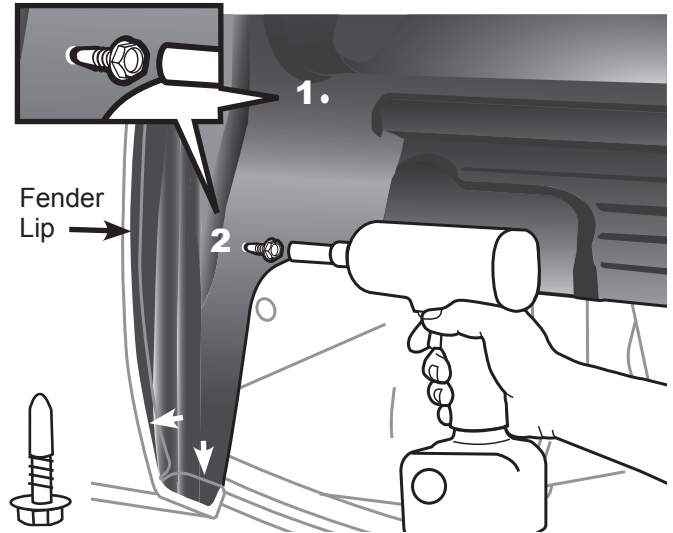
RUGGED LINER

REAR INNER WHEEL WELL LINERS 07-13 CHEVY/GMC & 11-14HD

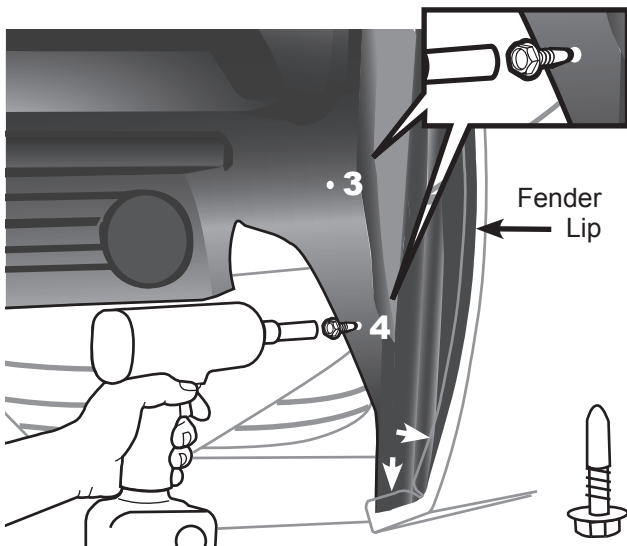
- 4** Start on the left hand side by setting the driver side wheel well (A) marked as (LH) inside the inner panel of the truck's wheel well behind the tire.



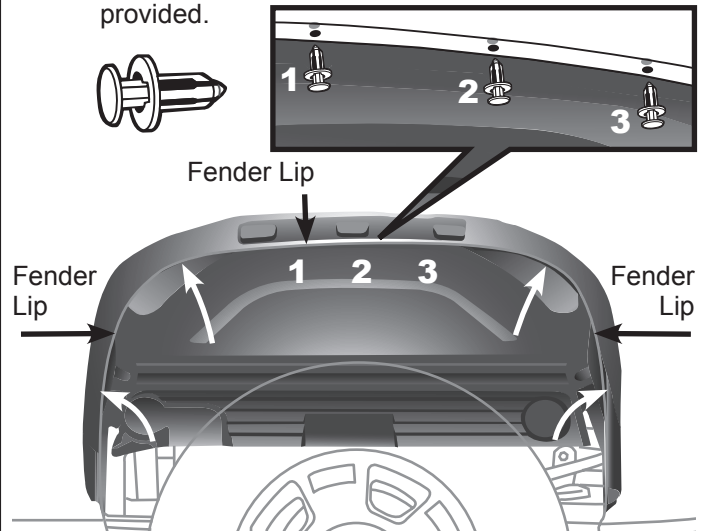
- 5** Make sure that the cab part of the lower wheel well liner is tucked behind the metal lip of truck's fender before installing the two self-tapping screws (C) in positions 1 and 2. Use drill with 5/16" socket to insert screws through existing holes in liner into the sheet metal.



- 6** Make sure that the tail part of the lower wheel well liner is tucked behind the metal lip of truck's fender before installing the two self-tapping screws (C) in positions 3 and 4. Use drill with 5/16" socket to insert screws through existing holes in liner into the sheet metal.



- 7** Tuck the upper part of the wheel well liner behind the rest of the metal lip of the truck's fender. Locate the three holes in the upper part of the wheel well liner and make sure they align with the three pre-drilled holes in the top edge of the truck's fender (1,2,3). Use 3 of the push pins (D) provided.



- 8** Repeat steps 3-7 on the passenger side when installing the passenger side wheel well (B).

