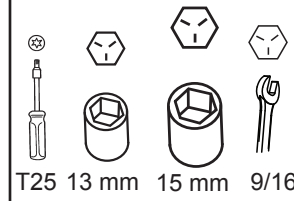
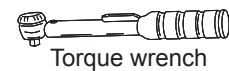
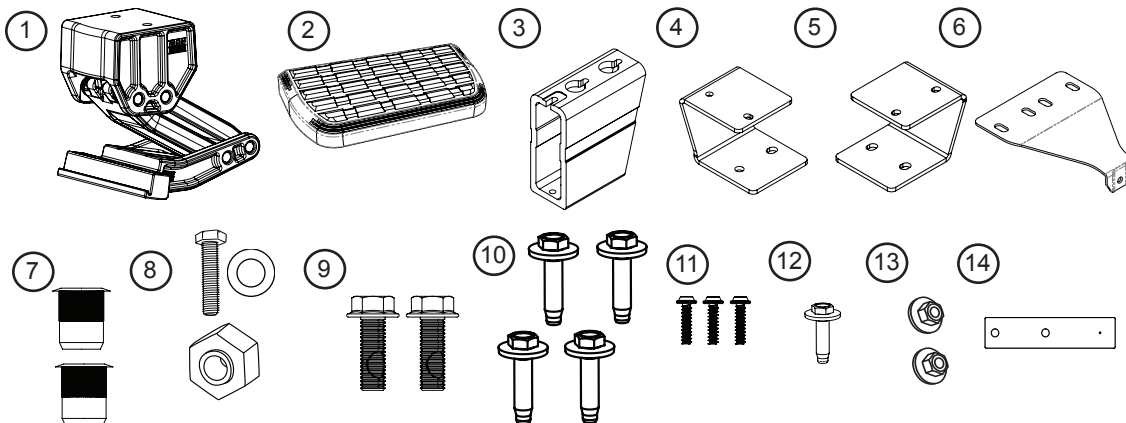


# AMP RESEARCH BedStep 2™

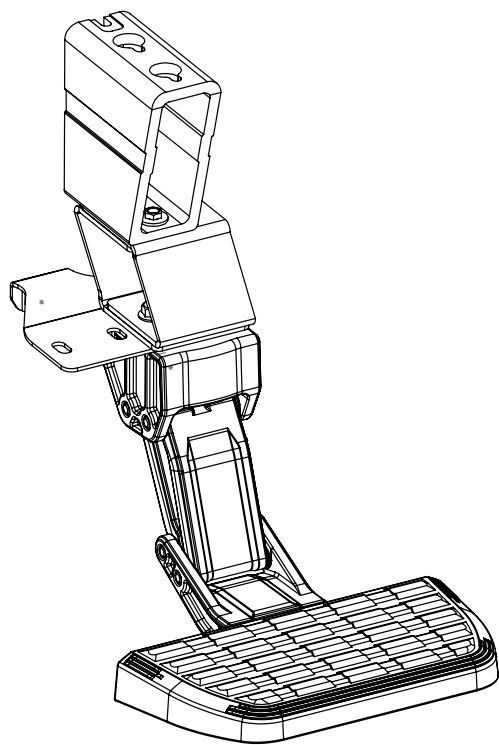
APPLICATION  
GM Silverado/Sierra 1500  
(Mid/Long bed Only)

AMP PART 75416-01A

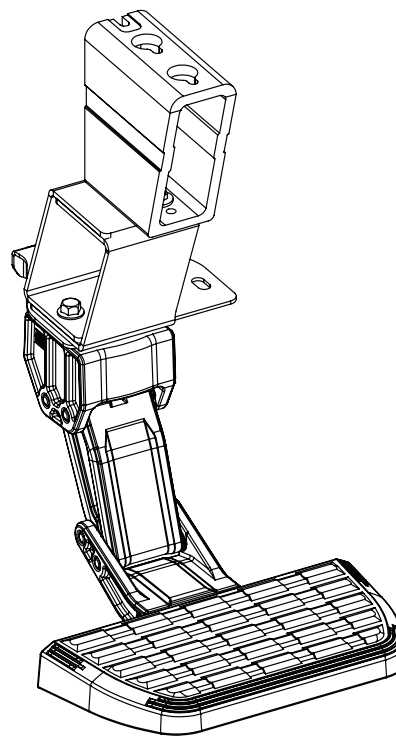
2019-2021



Components must be configured for Passenger or Drivers-Side as shown.



Driver-Side Orientation

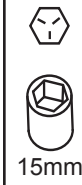
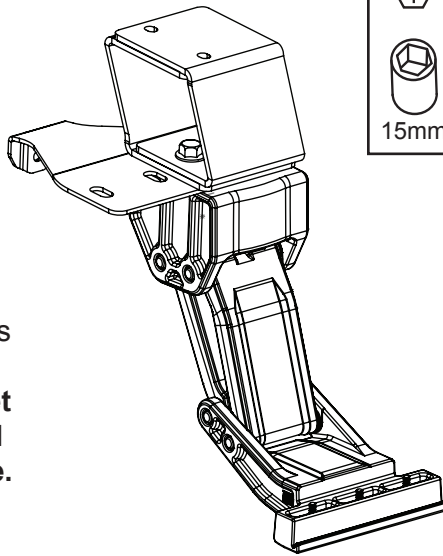


Passenger-Side Orientation

AMP RESEARCH TECH SUPPORT 1-888-983-2204 (Press 2) Monday - Friday, 7:00 AM - 5:00 PM PST

Invented, engineered and manufactured exclusively by AMP Research in the USA. May be covered by one OR MORE of the following patents: 6,641,158; 6,830,257; 6,834,875; 6,938,909; 7,055,839; 7,380,807; 7,413,204; 7,398,985; 7,584,975; 7,566,064; 7,487,986; 8,157,277; 8,408,571; 9,302,626; 9,561,751; 10,053,017; CA2463717 ©2012 AMP Research. All rights reserved. Printed in USA.

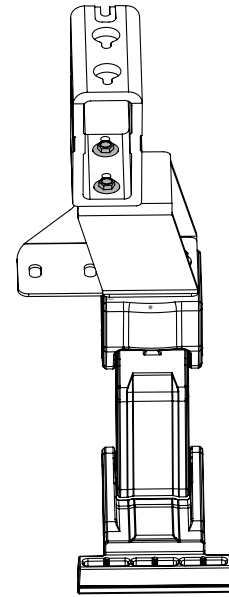
Using a 15mm Socket assemble Lateral mounting brackets onto linkage assembly. Steel support bracket is to be assembled between linkage and lateral mount. Do not tighten bolts yet. **NOTE: See page 1 for bracket orientation based on side of vehicle.**



15mm

1

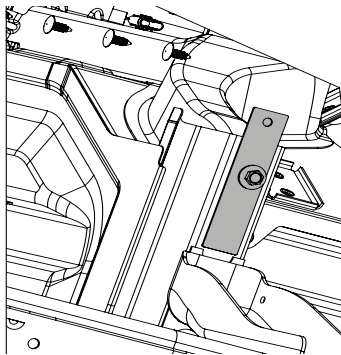
Using a 13mm socket assemble frame mount onto lateral mount using bolts (#10) and Captive washer nuts (#13). Torque to 16ft-lbs.



13mm

2

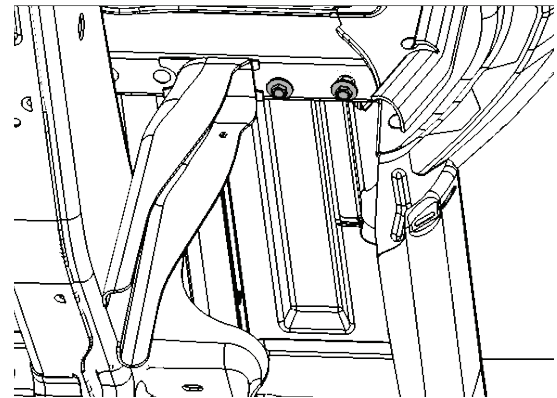
Remove factory bolt on forward most bed channel. Using supplied drill template (#14) and bolt (#10) attach template to bed channel. Make sure template edge is parallel to bed channel edge. Center punch hole, remove template, Pre drill using 1/8" drill bit. Then drill to 17/32". Install rivet nut with provided steps included in rivet nut package.



13mm

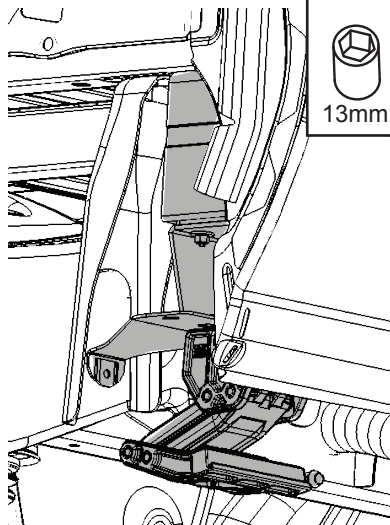
3

Hand start bolts (#10) into factory hole and into rivet nut.



4

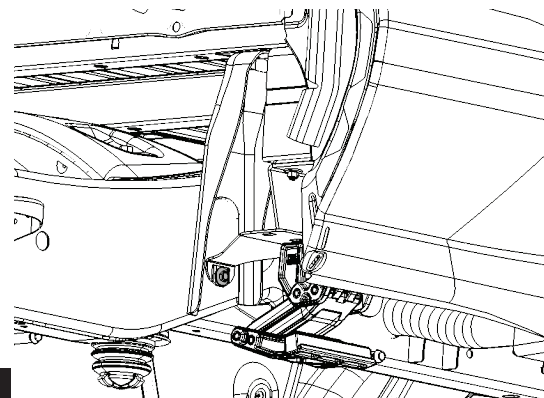
Slide assembly into position and snug bolts so frame mount of assembly is snug to bed channel. Adjust linkage assembly so its parallel to bed panel. Slide steel bracket up to frame and mark hole location to be drilled. Remove linkage assembly and pre drill using an 1/8" drill bit. Then drill to 17/32". Install rivet nut with provided steps included in rivet nut package.



13mm

5

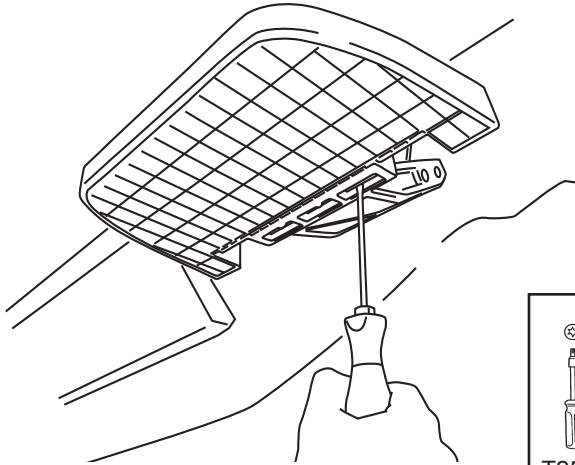
Install assembly into position. Tighten frame mount up to bed channel. Slide bracket up to frame and assemble bolt (#12) into position. **Hand tighten only.**



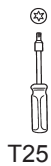
13mm

6

Center step pad on lower mount and secure using provided PT Screws. Tighten to 5ft-lbs using a T25 Torx bit. Verify Step pad alignment to body line of vehicle. Once step pad is in line to vehicle torque all bracket hardware to 16ft-lbs.

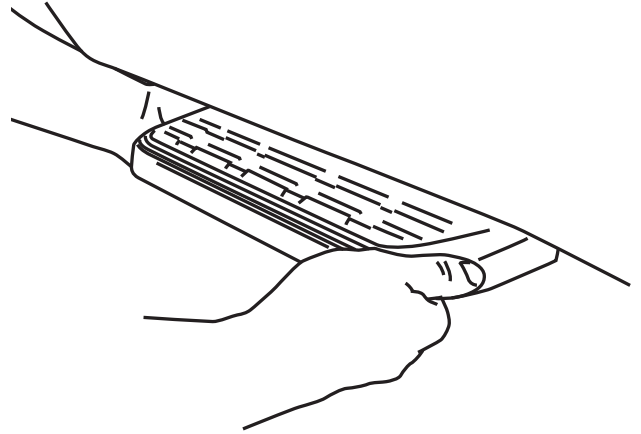


7



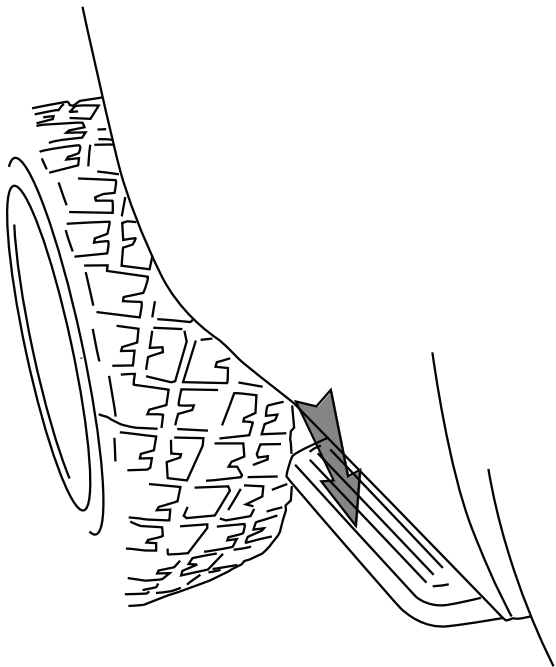
T25

Verify step pad alignment to body line of vehicle.



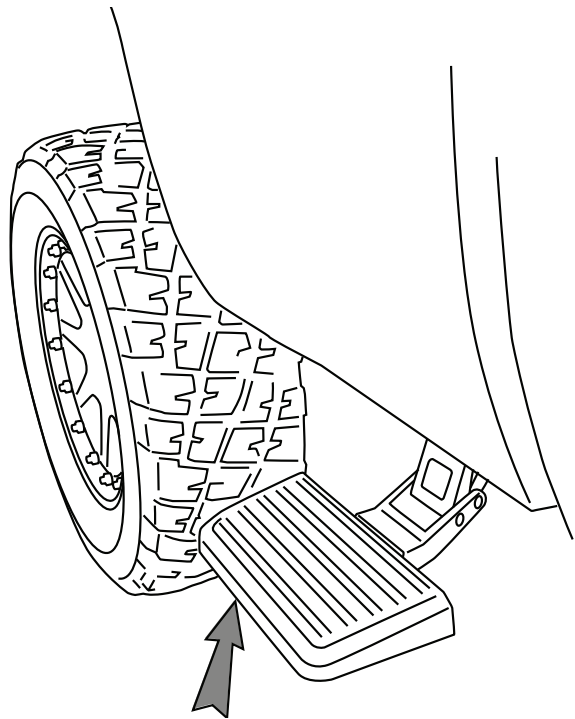
8

To deploy the step, press down using your foot on the outside edge of the step pad.



9

To retract, gently kick up on the underside of the step pad.





# BedStep

MADE IN USA <sup>®</sup>

AMERICAN DESIGNED, ENGINEERED AND MANUFACTURED.

**Thank you for your recent AMP Research Purchase.**

**REGISTER YOUR PRODUCT TODAY FOR  
FASTER SERVICE & PRODUCT UPDATES**

Please visit:

**[www.amp-research.com/productregistration](http://www.amp-research.com/productregistration)**

or scan the QR Code



**Product Registration Benefits:**

- Ensure we have your purchase receipt and product info in our system which is required for warranty
- Faster and easier access to customer service and tech support in the unlikely event you need warranty or product support
- Registration helps us keep you up to date on product information and offers

To view other Amp Research products that may be offered for your vehicle.

**Please visit: [www.amp-research.com](http://www.amp-research.com)**



Congratulations on your purchase of the genuine AMP Research BedStep2™. Here's what you should know...



### BEDSTEP2™ OPERATION

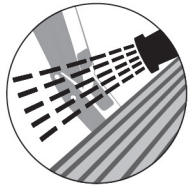
The AMP Research BedStep2™ is foot operated and deploys and retracts with a nudge of your foot. To deploy, press down using your foot, on the outside edge of the step pad.

Maximum load capacity of the deployed step pad is 300 lbs.

Always use appropriate hand holds when stepping up to or down from your truck's cargo bed.



To retract, gently kick up on the underside of the step pad.



**MAINTENANCE TIPS** - The stepping surface and linkage should be periodically washed with mild soap and water using a soft brush or sponge to dislodge any mud, dirt or accumulated road grime.

**In severe driving conditions, pressure washing the linkage is strongly recommended.**

Do not apply silicone spray, waxes or protectants like Armor All® to the stepping surfaces.

**CAUTION! BEDSTEP2™ SHOULD ALWAYS BE STOWED IN THE RETRACTED POSITION WHEN DRIVING.**

### AMP RESEARCH LIMITED WARRANTY

AMP RESEARCH warrants this product to be free from defects in material and workmanship for THREE (3) YEARS FROM DATE OF PURCHASE, provided there has been normal use and proper maintenance. This warranty applies to the original purchaser only. All remedies under this warranty are limited to the repair replacement of the product itself, or the repair or replacement of any component part thereof, found by the factory to be defective within the time period specified. The decision to repair or replace is wholly within the discretion of the manufacturer.

This warranty specifically excludes labor. If you have a warranty claim, first you must call our factory at the number below for instructions. You must retain proof of purchase and submit a copy with any items returned for warranty work. Upon completion of warranty work, if any, we will return the repaired or replaced item or items to you freight prepaid. Damage to our products caused by accidents, fire, vandalism, negligence, misinstallation, misuse, Acts of God, or by defective parts not manufactured by us, is not covered under this warranty.

ANY IMPLIED WARRANTIES OF MERCHANTABILITY AND/OR FITNESS FOR A PARTICULAR PURPOSE CREATED HEREBY ARE LIMITED IN DURATION TO THE SAME DURATION AND SCOPE AS THE EXPRESS WRITTEN WARRANTY. OUR COMPANY SHALL NOT BE LIABLE FOR ANY INCIDENTAL OR CONSEQUENTIAL DAMAGE.

Some states do not allow limitations on how long an implied warranty lasts, or the exclusion or limitation of incidental or consequential damages, so the above limitations or exclusions may not apply to you. This warranty gives you specific legal rights, and you may also have other rights that vary from state to state.

**FOR WARRANTY ISSUES WITH THIS PRODUCT PLEASE CALL AMP RESEARCH CUSTOMER SERVICE 1-888-983-2204**

### WARNING

Be sure to read and precisely follow the provided instructions when installing this product. Failure to do so could place the vehicle occupants in a potentially dangerous situation. After installing or reinstalling, re-check to insure that the product is properly installed.