



# **SUPERLIFT**<sup>®</sup>

## S U S P E N S I O N

### **Dual Steering Stabilizer Bracket Kit 2005 - 2017 Ford F250 / F350 Super Duty with 3 Inches or More of Lift INSTALLATION INSTRUCTIONS**

**NOTE:** • **This Dual Steering Stabilizer Bracket Kit ONLY Works for Lifted Trucks with 3 Inches or More of Lift.**

- **#92697 Does Not include Steering Stabilizer Cylinders. It is a Bracket Kit Only.**

#### **INTRODUCTION**

Installation requires a professional mechanic. Prior to beginning, inspect the steering sector-to-frame and all suspension-to-frame attaching points for stress cracks. The overall vehicle must be in excellent working condition; repair or replace all worn parts.

**Read instructions several times before starting. Be sure you have all needed parts and know where they install. Read each step completely as you go.**

#### **NOTES:**

- **Prior to beginning the installation, check all parts and hardware in the box with the parts list below. If you find a packaging error, contact Superlift directly. Do not contact the dealer where the system was originally purchased. You will need the control number from each box when calling; this number is located at the bottom of the part number label and to the right of the bar code.**
- This Dual Steering Stabilizer Bracket Kit ONLY Works for Lifted Trucks with 3 Inches or More of Lift.
- A foot-pound (unless noted) torque reading is given in parenthesis ( ) after each appropriate fastener.
- Prior to attaching components, be sure all mating surfaces are free of grit, grease, undercoating, etc.
- A factory service manual should be on hand for reference.
- Use the check-off box "☐" found at each step to help you keep your place. Two "☐☐" denotes that one check-off box is for the driver side and one is for the passenger side. Unless otherwise noted, always start with the driver side.

**PARTS LIST** ... The part number is stamped into each part or printed on an adhesive label. Identify each part and place the appropriate mounting hardware with it.

Kit Part Number 92693, 92694, 92697, 92730			Kit Part Number 77-92690		
Part Number	Qty.	Description	Part Number	Qty.	Description
55-10-92690	1	Tie Rod Bracket, Driver Side	38F5NN	2	3/8" Nyloc Nut, Fine Thread
55-20-92690	1	Tie Rod Bracket, Passenger Side	01-60450	4	Sleeve - 0.625" OD x 0.504" ID x 1.48" L
55-30-92690	1	Axle Bracket	12C8SN	4	1/2" Stover Nut, Coarse Thread
38x31316x512ub	1	3/8" x 3-13/16" x 5-1/2" U-Bolt	12UW	4	1/2" USS Washer
77-92690	1	Hardware Bag	12X234C5CS	2	1/2" x 2-3/4" Bolt, Coarse Thread
88-92697	1	Instruction Bag	38C5FN	4	3/8" Flange Nut, Coarse Thread
<b>Included in Superide SS by Bilstein Applications ONLY!</b>			38X112X212UB	2	3/8" x 1-1/2" x 2-1/2" U-Bolt, Round Bend
55-40-92690	1	Center Cover Bracket (Badge)	38X114C5ACB	2	3/8" x 1-1/4" Bolt, Allen Head, Coarse Thread
			516X212C5CB	2	5/16" x 2-1/2" Carriage Bolt, Coarse Thread
<b>Kit Part Number 88-92697</b>			516C5NN	2	5/16" Nyloc Nut, Coarse Thread
			12X212C5CS	2	1/2" x 2-1/2" Bolt, Coarse Thread
Part Number	Qty.	Description	38X234C5CS	2	3/8" x 2-3/4" Bolt, Coarse Thread
FORM#92697	1	Instruction Form	38SW	4	3/8" SAE Washer
<b>Included in Superide SS by Bilstein Applications ONLY!</b>			38C5NN	2	3/8" Nyloc Nut, Coarse Thread
0034	1	Badge for Center Cover Bracket			

Step	Part Number	Qty. per Kit	Description	Qty. per Bracket	New Attaching Hardware	Hardware Bag Number
2	55-30-92690	1	Axle Bracket, Center	2	3/8" x 1" Bolt	77-92690
				2	3/8" SAE Washer	
				2	1/2" x 2-3/4" Bolt	
				2	1/2" USS Washer	
				2	1/2" Stover Nut	
				1	3/8" x 3-13/16" x 5-1/2" U-Bolt	
				2	3/8" SAE Washer	
				2	3/8" Nyloc Nut	
3	55-10-92690	1	Tie Rod Bracket, Driver Side	2	3/8 x 1-1/2" x 2-1/2" U-Bolt	77-92690
				4	3/8" Flange Nut	
				1	1/2" x 2-3/4" Bolt	
				1	1/2" USS Washer	
				1	1/2" Stover Nut	
4	55-20-92690	1	Tie Rod Bracket, Passenger Side	2	3/8 x 1-1/2" x 2-1/2" U-Bolt	77-92690
				4	3/8" Flange Nut	
				1	1/2" x 2-3/4" Bolt	
				1	1/2" USS Washer	
				1	1/2" Stover Nut	
5	55-40-92690	1	Center Cover Bracket	1	0034 Badge	88-92697

### 1) PREPARE VEHICLE...

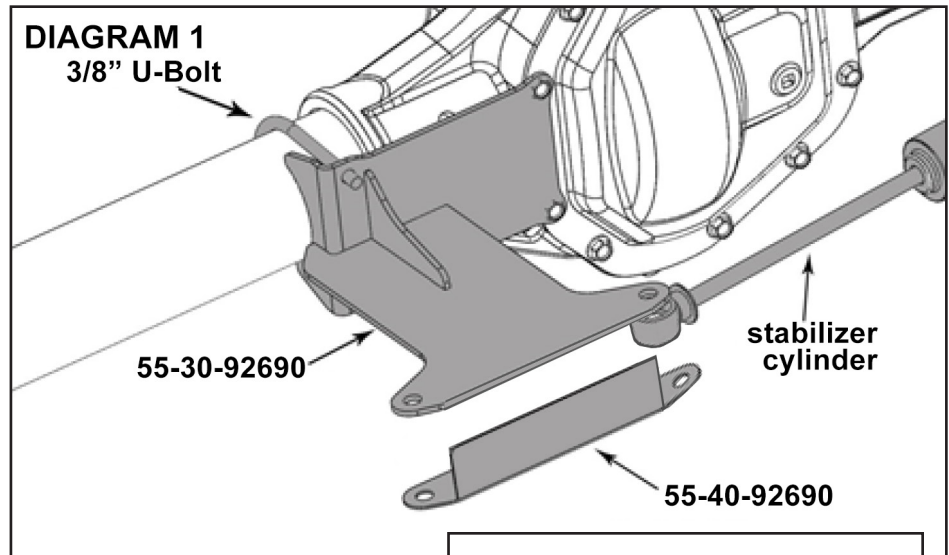
Place vehicle on a level surface with the tires pointed straight ahead. Put the transmission in Park or Low gear and set the parking brake.

**2) CENTER STABILIZER MOUNT...**

[DIAGRAM 1] Remove the two differential cover bolts closest to the passenger side. Install the center stabilizer mount (#55-30-92690). Secure the bracket using the two supplied 3/8" x 1" bolts and washers. Do not tighten at this time.

Install the supplied 3/8" x 3-13/16 x 5-1/2" u-bolt around the differential housing and through the "30" bracket as shown. Secure using the supplied 3/8" washers and nyloc nuts.

Tighten the 3/8" hardware (30).

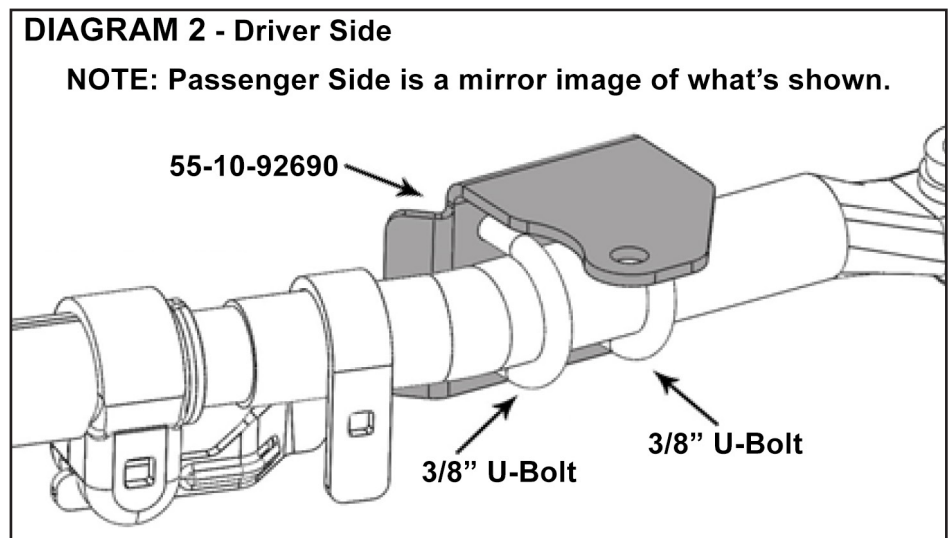


**NOTE: #55-40-92690 Bracket is Included in Superide SS by BILSTEIN Applications ONLY.**

**3) DRIVER SIDE STABILIZER MOUNT...**

[DIAGRAM 2] Place the driver's side stabilizer mount (#55-10-92690) as shown and fasten with the supplied 3/8" u-bolts. Do not tighten at this time.

The center of the driver's side stabilizer mounting hole in the "30" bracket should be 19-1/2" from the center of the mounting hole on the "10" bracket. Make sure the top of the "10" bracket is level with the ground, then tighten the 3/8" nuts (26).

**4) PASSENGER SIDE STABILIZER MOUNT...**

The passenger's side steering stabilizer mount (#55-20-92690) installs as a mirror image of the driver's side. Follow step 3 and install now.

**5) STEERING STABILIZERS...**

Some cylinders come with the bushings installed, if not, install the bushings, sleeves, and shock boots (if applicable) on the steering stabilizer cylinders.

Position the end of each stabilizer's shaft end below the mounting tab on the center bracket then place the Center Cover Bracket (#55-40-92690) below the stabilizers and loosely secure using the supplied 1/2" x 2-3/4" bolts, washers, and stover nuts. The bolts should be installed from the top. Do not tighten at this time.

Position the other end of the stabilizers below the “10” and “20” bracket and secure using the supplied 1/2” x 2-3/4” bolts, washers, and stover nuts through the brackets and the stabilizer eyes. The bolts should be installed from the top and the washers should be positioned under the nuts.

Tighten all of the 1/2” hardware (57).

## **6) FINAL CLEARANCE AND TORQUE CHECK...**

Cycle the steering lock-to-lock and carefully observe that there is proper clearance between the stabilizers, brackets, and steering linkage, and that there is no binding or hesitation felt in the steering wheel. Check for proper steering operation and double-check all fasteners for proper torque. Re-check all fasteners for proper torque after the first 100 miles.

## **7) SUPERLIFT BADGES... (Included in Superide SS by BILSTEIN Applications ONLY)**

This kit is packaged with a Superlift Badge (0034) to be installed on the Center Cover Bracket (#55-40-92690).

Prior to installation, use the supplied alcohol pad to eliminate all soap and or other non-adhering residues that may impair adhesion, thoroughly clean the entire area of placement.

Remove the adhesive back and place the large badge on the “40” Center Cover Bracket. The adhesive on our badges is pressure sensitive and must be applied using pressure on all areas of the graphic. Like any PSA (pressure sensitive adhesive), it can take up to 72 hours for the adhesive to fully cure. Once the badge is in place do not peel it up, this will diminish the adhesive properties and could result in damaging the badge itself.

To keep your Superlift badge in “like new” appearance keep the badge free/clear of solvents and chemicals that could cause the adhesive to dry or dissolve. This includes gasoline, diesel fuel, paint thinner, and alcohol. Soap and water is all that is needed for cleaning. Degreasers can be used sparingly and hand wiped/applied if needed, although not suggested.

### **Important Maintenance Information**

It is the ultimate buyer’s responsibility to have all bolts / nuts checked for tightness after the first 100 miles and then every 1000 miles. The steering, suspension and driveline systems, plus wheel alignment should be inspected by a qualified professional mechanic at least every 3000 miles.

### **Limited Lifetime Warranty / Warnings**

Your SUPERLIFT® product is covered by the Limited Warranty explained below that gives you specific legal rights. This limited warranty is the only warranty SUPERLIFT® makes in connection with your product purchase. SUPERLIFT® neither assumes nor authorizes any retailer or other person or entity to assume for it any other obligation or liability in connection with this product or limited warranty.

### **Superlift, LLC, Limited Lifetime Warranty**

What is covered? Subject to the terms below, SUPERLIFT® will repair or replace its products found defective in materials or workmanship for so long as the original purchaser owns the vehicle on which the product was originally installed. Your warrantor is SUPERLIFT, LLC, doing business as Superlift® Suspension Systems (“SUPERLIFT®”).

What is not covered? Your SUPERLIFT® Limited Warranty does not cover products SUPERLIFT® determines to have been damaged by or subjected to:

- Alteration, modification or failure to maintain.
- Normal wear and tear (bushings, rod ends, etc.). Scratches or defects in product finishes (powder coating, plating, etc.).
- Damage to, or resulting from, the vehicle’s electronic stability system, related components or other vehicle systems.

- Racing or other vehicle competitions or contests. Accidents, impact by rocks, trees, obstacles or other aspects of the environment.
- Theft, vandalism or other intentional damage.

Remedy Limited to Repair or Replacement. The exclusive remedy provided hereunder shall, upon Superlift's inspection and at Superlift's option, be either repair or replacement of the product covered under this Limited Warranty. Customers requesting warranty consideration should contact SUPERLIFT® by phone (1-800-551-4955) to obtain a Returned Goods Authorization number. All removal, shipping and installation costs are customer's responsibility.

If a replacement part is needed before the SUPERLIFT® part in question can be returned, you must first purchase the replacement part. Then, if the part in question is deemed warrantable, you will be credited / refunded.

#### **Other Limitations - Exclusion of Damages - Your Rights Under State Law**

- Neither SUPERLIFT® nor your independent SUPERLIFT® dealer are responsible for any time loss, rental costs, or for any incidental, consequential or other damages you may have.
- This Limited Warranty gives you specific rights, and this is the only warranty SUPERLIFT® makes in connection with your product purchase. You may also have other rights that vary from state to state. For example, while all implied warranties are disclaimed herein, any implied warranty required by law is limited to the terms of our Limited Lifetime Warranty as described above. Some states do not allow limitations of how long an implied warranty lasts and / or do not allow the exclusion or limitation of incidental or consequential damages, so the limitations and exclusions herein may not apply to you. SUPERLIFT® neither assumes nor authorizes any retailer or other person or entity to assume for it any other obligation or liability in connection with this product or Limited Warranty.

#### **Superlift, LLC, Satisfaction Guarantee**

We want you to purchase our product with confidence and be 100% satisfied with the end result. If you have any legitimate issue, and SUPERLIFT® cannot rectify it to your satisfaction, SUPERLIFT® will take back the SUPERLIFT® brand product and refund the customer 100% of the product purchase price.

The details:

- Offer valid to the original retail consumer for six months after product purchase.
- May require a SUPERLIFT® dealer's participation in order to assist in "troubleshooting" the issue.
- Any costs related to labor, freight, incidental or consequential are not refunded.
- Refund will not exceed SUPERLIFT's published retail price.

#### **Important Product Use and Safety Information / Warnings**

As a general rule, the taller a vehicle is, the easier it will roll over. Offset, as much as possible, what is lost in rollover resistance by increasing tire track width. In other words, go "wide" as you go "tall"; always use as wide a tire and wheel combination as feasible to enhance vehicle stability. We strongly recommend, because of rollover possibility, that the vehicle be equipped with a functional roll bar and cage system. Seat belts and shoulder harnesses should be worn at all times. Avoid situations where a side rollover may occur.

Generally, braking performance and capabilities are decreased when significantly larger / heavier tires and wheels are used. Take this into consideration while driving. Also, changing axle gear ratios or using tires that are taller or shorter than factory height will cause an erroneous speedometer reading. On vehicles equipped with an electronic speedometer, the speed signal impacts other important functions as well. Speedometer recalibration for both mechanical and electronic types is highly recommended.

Do not add, alter, or fabricate any factory or aftermarket parts to increase vehicle height over the intended height of the SUPERLIFT® product purchased. Mixing component brands is not recommended.

#### **SUPERLIFT LLC**

300 Huey Lenard Loop Rd.  
West Monroe, Louisiana 71292  
Phone: (318) 397-3000  
Sales / Tech: (800) 551-4955  
Fax: (318) 397-3040  
[www.superlift.com](http://www.superlift.com)