



SUPERLIFT®

S U S P E N S I O N

Superlift Steering Stabilizer for 1999- 2005 CHEVY 1/2-TON SILVERADO / TAHOE / SUBURBAN / GMC SIERRA / YUKON 4WD Equipped with the 6" F.I.T. Series Lift System INSTALLATION INSTRUCTIONS

INTRODUCTION

Installation requires a professional mechanic. Prior to beginning, inspect the vehicles steering, driveline, and brake systems, paying close attention to the suspension link arms and bushings, anti-sway bars and bushings, tie rod ends, pitman arm, ball joints and wheel bearings. Also check the steering sector-to-frame and all suspension-to-frame attaching points for stress cracks. The overall vehicle must be in excellent working condition; repair or replace all worn parts.

Read instructions several times before starting. Be sure you have all needed parts and know where they install. Read each step completely as you go.

NOTES:

- An arrow on diagrams indicates which direction is toward the front of the vehicle.
- A foot-pound torque reading is given in parenthesis () after each appropriate fastener.
- Prior to drilling or cutting, check behind the surface being worked on for any wires, lines, or hoses that could be damaged.
- After drilling, file smooth any burrs and sharp edges.
- Paint or undercoat all exposed metal surfaces.
- Prior to attaching components, be sure all mating surfaces are free of grit, grease, undercoating, etc.
- A factory service manual should be on hand for reference.
- Use the check-off box "☐" found at each step to help you keep your place. Two "☐☐" denotes that one check-off box is for the driver side and one is for the passenger side. Unless otherwise noted, always start with the driver side.

PARTS LIST ... The part number is stamped into each part or printed on an adhesive label. Identify each part and place the appropriate mounting hardware with it.

PART NO	DESCRIPTION (Qty.- if more than one)	NEW ATTACHING HARDWARE (Qty.- if more than one)
55-01-92065	frame stabilizer bracket	(1) 3/8" x 1" bolt (1) 3/8" SAE washer (1) 3/8" nyloc nut (1) 1/2" x 2-3/4" bolt (1) 1/2" SAE flat washer (1) 1/2" nyloc nut (1) 1/2" ID x 1-1/2" sleeve

- 55-02-92065centerlink stabilizer bracket (2) 5/16" x 1-1/8" x 1-3/4" U-bolt
 (4) 5/16" flange nut
 (1) shock stud hardware pack
- 92040.....steering stabilizer cylinder (1) hardware pack

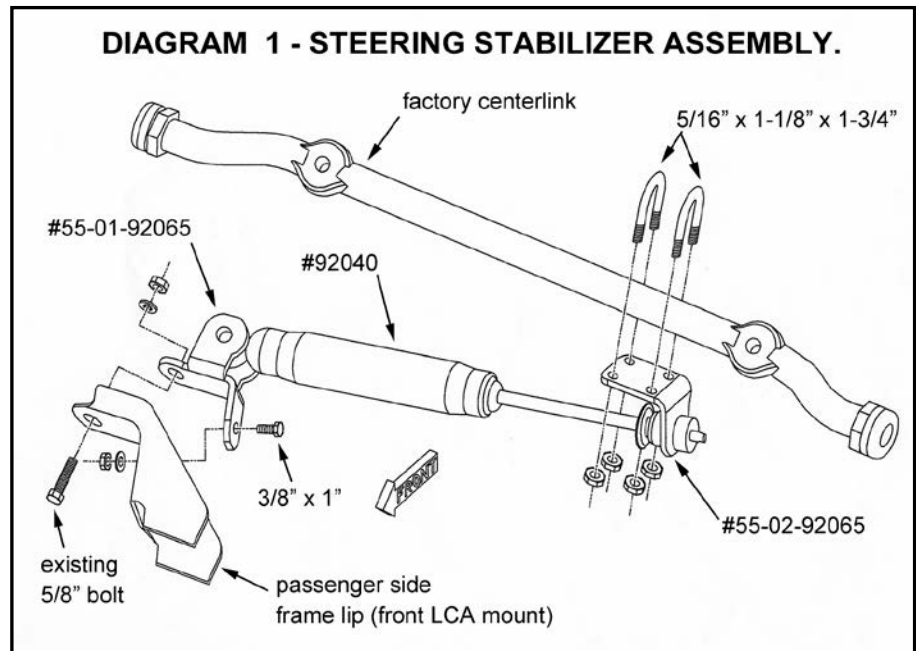
INSTALLATION PROCEDURE

1) PREPARE VEHICLE...

- Place vehicle on level ground and put the transmission in low gear or "park", and chock rear tires.

2) FRAME BRACKET...

- [DIAGRAM 1] On the passenger side, remove the nut securing the lift system front crossmember to the frame (where the front leg of the lower control arm used to be located). It is not necessary or recommended to remove the bolt. Position the frame bracket (#55-02-92065) on the end of the bolt as shown and then reinstall the nut. Do not tighten at this time.



- Using the remaining hole in the frame bracket as a template, mark and drill a 3/8" hole in the frame. Install the supplied 3/8" x 1" bolt, flat washer, and nyloc nut.

- Tighten the 3/8" bolt (23) and 5/8" bolt (112).

3) CENTERLINK BRACKET...

- Attach the centerlink bracket (#55-01-92065) to the factory centerlink using the supplied 5/16" x 1-1/8" x 1-3/4" U-bolts and flange nuts. Leave the hardware loose at this time. Be sure the bracket is positioned as shown in Diagram 1, with the stabilizer ear pointing downward and toward the driver side of the vehicle.

- Position the stabilizer ear of the "01" bracket approximately 11-1/2" from the center of the idler arm stud (the idler arm is the component attached to the passenger side frame rail). Once positioned properly, tighten the 5/16" U-bolts (14).

4) STEERING STABILIZER...

- Insert the supplied 1/2" ID x 1-1/2" long sleeve into the eye of the #92040 stabilizer cylinder. Attach the cylinder to the "02" frame bracket using the supplied 1/2" x 2-3/4" bolt, washer, and nyloc nut. Tighten (57).

- Position a concave washer and bushing half on the stem end of the cylinder. Extend the rod until the stud slides through the ear of the "01" bracket. Install the remaining bushing half and washer, and secure using the supplied nut. Tighten until the bushings swell slightly.

5) FINAL CLEARANCE AND TORQUE CHECK...

- Cycle the steering lock-to-lock and verify that the stabilizer cylinder does not "top out" or "bottom out." The stabilizer also should not interfere with any other components. If any binding or hesitation is felt in the steering wheel, the stabilizer has not been installed properly. If necessary, the centerlink bracket can be adjusted slightly until the proper clearances are achieved. Double-check all fasteners for proper torque.

IMPORTANT PRODUCT USE INFORMATION

As a general rule, the taller a vehicle is, the easier it will roll over. Offset, as much as possible, what is lost in roll over resistance by increasing tire track width. In other words, go "wide" as you go "tall". Many sportsmen remove their mud tires after winter / hunting season and install ones more appropriate for street driving; always use as wide a tire and wheel combination as possible to enhance vehicle stability.

We strongly recommend, because of roll over possibility, that the vehicle be equipped with a functional roll bar and cage system. Seat belts and shoulder harnesses should be worn at all times. Avoid situations where a side rollover may occur.

Generally, braking performances and capabilities are decreased when significantly larger / heavier tires and wheels are used. Take this into consideration while driving.

Do not add, alter, or fabricate any factory or aftermarket parts to increase vehicle height over the intended height of the Superlift product purchased. Mixing component brands is not recommended.

Most states have some type of law limiting vehicle height. The amount of lift allowed, and how the lift may be achieved, varies greatly. Several states offer exemptions for farm or commercially registered vehicles. It is the owner's responsibility to check state and local laws to ensure that their vehicle will be in compliance.

Superlift makes no claims regarding lifting devices and excludes any and all implied claims. Superlift will not be responsible for any altered product or any improper installation or use of our products.

We will be happy to answer any questions concerning the design, function, and correct use of our products.

IMPORTANT MAINTENANCE INFORMATION

It is the ultimate buyer's responsibility to have all bolts / nuts checked for tightness after the first 100 miles and then every 1000 miles. The steering, suspension and driveline systems, along with wheel alignment should be inspected by a qualified professional mechanic at least every 3000 miles.

NOTICE TO DEALER AND VEHICLE OWNER

Any vehicle equipped with a Superlift lifting device must have the enclosed "Warning to Driver" decal installed on the inside of the windshield or on the vehicle's dash, within driver's view. The "Warning to Driver" decal is to act as a constant safety reminder for whoever may be operating the vehicle. The WARRANTY IS VOID unless this decal is in place. **INSTALLING DEALER...** It is your responsibility to install warning decal and forward these installation instructions to the vehicle owner for review of warnings, product use and maintenance information. Replacement warning decals are available free upon request. These instructions are to be kept with the vehicle registration papers and owners manual for the service life of the vehicle.

SUPERLIFT LIMITED LIFETIME WARRANTY

Suspension products bearing the Superlift (LKI Ent.) name are warranted for as long as the original purchaser owns the vehicle that the LKI product was originally installed on. This warranty is non-transferable. Warranty covers only the product, no labor, time loss, or freight incurred. Any product that has been abused, altered, incorrectly installed, or used in competition is not covered. Product finish, spring bushings, Polyurethane products, and normal wear is not covered. The LKI product is subject to replacement or repair. No other warranties are expressed or implied. An authorized Superlift dealer must inspect the part in question and confirm that the "Warning to Driver" decal is properly displayed. A copy of the sales invoice is required for warranty consideration.

SUPERLIFT SUSPENSION SYSTEMS

300 Hue Lenard Loop Rd.
West Monroe, Louisiana 71292
Phone: (318) 397-3000
Sales / Tech: 1-800-551-4955
FAX: (318) 397-3040
www.superlift.com