



SUPERLIFT® STEERING STABILIZER KIT INSTALLATION INSTRUCTIONS

INTRODUCTION

Installation requires a professional mechanic. Prior to beginning, inspect the steering sector-to-frame and all suspension-to-frame attaching points for stress cracks. The overall vehicle must be in excellent working condition; repair or replace all worn parts.

Read instructions several times before starting. Be sure you have all needed parts and know where they install. Read each step completely as you go.

NOTES:

- **Prior to beginning the installation, check all parts and hardware in the box with the parts list below. If you find a packaging error, contact Superlift directly. Do not contact the dealer where the system was originally purchased. You will need the control number from each box when calling; this number is located at the bottom of the part number label and to the right of the bar code.**
- A foot-pound torque reading is given in parenthesis () after each appropriate fastener.
- Prior to attaching components, be sure all mating surfaces are free of grit, grease, undercoating, etc.
- A factory service manual should be on hand for reference.
- Use the check-off box "☐" found at each step to help you keep your place. Two "☐☐" denotes that one check-off box is for the driver side and one is for the passenger side. Unless otherwise noted, always start with the driver side.

PARTS LIST ... The part number is stamped into each part or printed on an adhesive label. Identify each part and place the appropriate mounting hardware with it.

Part Number	Qty.	Description	Qty.	New Attaching Hardware	Hardware Bag Number
01-81200 (651991)	1	hydraulic steering stabilizer	1	1/2" x 3-1/2" fine thread bolt	77-92050A
			1	1/2" lock washer	
			1	1/2" standard nut	
			2	1/2" uss washer (thick)	
			1	1/2" uss washer (thin)	
			2	01-60451 sleeve	77-92060
			1	01-60466 tapered sleeve 0.627" L	
			1	01-60467 tapered sleeve 1.17" L	

Kit Part Number 92060			Kit Part Number 77-92060		
Part Number	Qty.	Description	Part Number	Qty.	Description
01-81200	1	hydraulic steering stabilizer	01-60451	2	sleeve - 0.50" ID x 0.625" OD x 1.38" L
77-92050A	1	hardware bag	01-60466	1	tapered sleeve - 0.50" ID x 0.625" / 0.563" OD x 0.627" L
77-92060	1	hardware bag	01-60467	1	tapered sleeve - 0.50" ID x 0.671" / 0.551" OD x 1.17" L
Kit Part Number 77-92050A					
Part Number	Qty.	Description			
12X312F8CS	1	1/2" X 3-1/2" fine thread bolt			
12F5N	1	1/2" fine thread nut			
12LW	1	1/2" Lock washer			
1550	2	1/2" USS washer (thick)			
12UW	1	1/2" USS washer (thin)			

INSTALLATION

NOTE: Save all factory components and hardware for reuse, unless noted.

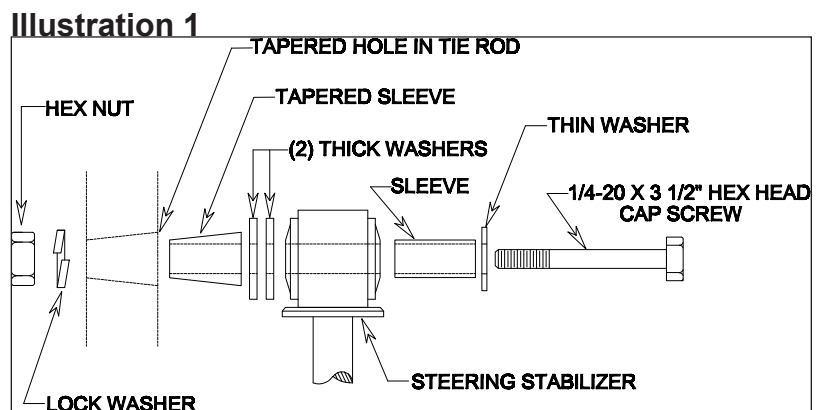
- 1) Make sure the wheels are pointing straight ahead. Remove the factory steering stabilizer.
- 2) **[Illustration 1]** Assemble the shaft end of the cylinder using the illustration as a guide. This kit is packaged with two different size tapered sleeves. See below for the proper hardware application for you vehicle.
 - 1994-97 Dodge 1500 - Use the supplied hardware and the short tapered sleeve.
 - 1998-99 Dodge 1500 - Use the factory hardware and two sleeves from hardware bag 77-92060. This vehicle does not require a tapered sleeve.
 - 2000-02 Dodge 1500 - Use the supplied hardware and the long tapered sleeve.

3) Extend the stabilizer from the tie rod to the frame mount and install using appropriate hardware.

4) Tighten the hardware at each end of the stabilizer. (56).

5) Cycle the steering to the right and left making sure that there is no interference and that the wheel stops are fully contacted.

6) Cycle the steering to the right and left making sure that there is no interference and that the wheel stops are fully contacted.



Limited Lifetime Warranty / Warnings

Your Superlift® product is covered by the Limited Warranty explained below that gives you specific legal rights. This limited warranty is the only warranty Superlift® makes in connection with your product purchase. Superlift® neither assumes nor authorizes any retailer or other person or entity to assume for it any other obligation or liability in connection with this product or limited warranty.

What is covered? Subject to the terms below, Superlift® will repair or replace its products found defective in materials or workmanship for so long as the original purchaser owns the vehicle on which the product was originally installed. Your warrantor is LKI Enterprises, Inc. d/b/a Superlift® Suspension Systems (“Superlift®”).

What is not covered? Your Superlift® Limited Warranty does not cover products, parts or vehicles Superlift® determines to have been damaged by or subjected to:

- Alteration, modification or failure to maintain.
- Normal wear and tear (bushings, tie-rod ends, etc.). Scratches or defects in product finishes (powdercoating, plating, etc.),
- Damage to or resulting from vehicle’s electronic stability system, related components or other vehicle systems.
- Racing or other vehicle competitions or contests. Accidents, impact by rocks, trees, obstacles or other aspects of the environment.
- Theft, vandalism or other intentional damage.

Remedy Limited to Repair / Replacement. The exclusive remedy provided hereunder shall, upon Superlift’s inspection and at Superlift’s option, be either repair or replacement of product or parts covered under this Limited Warranty. Customers requesting warranty consideration should contact Superlift® by phone (1-800-551-4955) to obtain a Returned Goods Authorization number. All removal, shipping and installation costs are customer’s responsibility.

If a replacement part is needed before the Superlift® part in question can be returned, you must first purchase the replacement part. Then, if the part in question is deemed warrantable, you will be credited / refunded.

Other Limitations - Exclusion of Damages - Your Rights Under State Law

- Neither Superlift® nor your independent Superlift® dealer are responsible for any time loss, rental costs, or for any incidental, consequential or other damages you may have.
- This Limited Warranty gives you specific rights. You may also have other rights that vary from state to state. For example, while all implied warranties are disclaimed herein, any implied warranty required by law is limited to the terms of our Limited Lifetime Warranty as described above. Some states do not allow limitations of how long an implied warranty lasts and / or do not allow the exclusion or limitation of incidental or consequential damages, so the limitations and exclusions herein may not apply to you.

Important Product Use and Safety Information / Warnings

As a general rule, the taller a vehicle is, the easier it will roll over. Offset, as much as possible, what is lost in rollover resistance by increasing tire track width. In other words, go “wide” as you go “tall”. Many sportsmen remove their mud tires after hunting season and install ones more appropriate for street driving; always use as wide a tire and wheel combination as feasible to enhance vehicle stability. We strongly recommend, because of rollover possibility, that the vehicle be equipped with a

functional roll bar and cage system. Seat belts and shoulder harnesses should be worn at all times. Avoid situations where a side rollover may occur.

Generally, braking performance and capabilities are decreased when significantly larger / heavier tires and wheels are used. Take this into consideration while driving. Also, changing axle gear ratios or using tires that are taller or shorter than factory height will cause an erroneous speedometer reading. On vehicles equipped with an electronic speedometer, the speed signal impacts other important functions as well. Speedometer recalibration for both mechanical and electronic types is highly recommended.

Do not add, alter, or fabricate any factory or aftermarket parts to increase vehicle height over the intended height of the Superlift® product purchased. Mixing component brands is not recommended.

SUPERLIFT SUSPENSION

300 Huey Lenard Loop Rd.
West Monroe, Louisiana 71292
Phone: (318) 397-3000
Sales / Tech: (800) 551-4955
Fax: (318) 397-3040
www.superlift.com