



SUPERLIFT®

S U S P E N S I O N

SUPERLIFT® 2.5" Level-It for 2014 RAM 2500 and 2013 1/2 - 2014 RAM 3500 (with Radius Arm Front Suspension) INSTALLATION INSTRUCTIONS

INTRODUCTION

Installation requires a professional mechanic. The overall vehicle must be in excellent working condition; repair or replace all worn parts.

Read instructions several times before starting. Be sure you have all needed parts and know where they install. Read each step completely as you go.

NOTES:

- Prior to beginning the installation, check all parts and hardware in the box with the parts list below. If you find a packaging error, contact Superlift® directly. Do not contact the dealer where the system was originally purchased. You will need the control number from each box when calling; this number is located at the bottom of the part number label and to the right of the bar code.
- Front end alignment is necessary.
- An arrow on diagrams indicates which direction is toward the front of the vehicle.
- A foot-pound torque reading is given in parenthesis () after each appropriate fastener.
- Do not fabricate any components to gain additional suspension height.
- Prior to drilling or cutting, check behind the surface being worked on for any wires, lines, or hoses that could be damaged.
- After drilling, file smooth any burrs and sharp edges.
- Prior to attaching components, be sure all mating surfaces are free of grit, grease, excessive undercoating, etc.
- A factory service manual should be on hand for reference.
- Use the check-off box "☐" found at each step to help you keep your place. Two "☐☐" denotes that one check-off box is for the driver side and one is for the passenger side. Unless otherwise noted, always start with the driver side.

PARTS LIST ... The part number is stamped into each part or printed on an adhesive label. Identify each part and place the appropriate mounting hardware with it.

Step	Part Number	Qty.	Description	Qty.	New Attaching Hardware	Hardware Bag Number
4 & 5	55-01-4682	2	coil spring spacer, front 2.5"	1	55-02-4682 nut plate	77-40023
				1	55-03-4682 tab plate	
				1	3/8" x 3-1/2" coarse thread bolt	
				4	3/8" SAE washer	
				2	3/8" x 1-1/4" coarse thread bolt	
				1	3/8" Nyloc nut	
6	55-04-4682	2	shock relocation bracket	2	05-4682 sleeve	77-40023
				2	3/8" x 1" coarse thread bolt	
				2	3/8" SAE washer	
				2	3/8" Nyloc nut	
				2	9/16" x 3" coarse thread bolt	
				4	9/16" SAE washer	
				2	9/16" stover nut	

Kit Part Number 40023			Kit Part Number 77-40023		
Part Number	Qty.	Description	Part Number	Qty.	Description
55-01-4682	2	coil spring spacer, front 2.5"	05-4682	2	shock relocation bracket sleeve
55-04-4682	2	shock relocation bracket	38C5NN	3	3/8" Nyloc nut
77-40023	1	hardware bag	38SW	6	3/8" SAE washer
			38X114C5CS	2	3/8" x 1-1/4" coarse thread bolt
			38X1C5CS	2	3/8" x 1" coarse thread bolt
			38X312C5CS	1	3/8" x 3-1/2 coarse thread bolt
			55-02-4682	1	nut plate
			55-03-4682	1	tab nut
			916C8SN	2	9/16" stover nut
			916SW	4	9/16" SAE washer
			916X3C5CS	2	9/16" x 3" coarse thread bolt

TOOLS REQUIRED:					
Ratchets	3/8" drive		Standard Sockets	3/8" drive	9/16"
	1/2" drive				13/16"
Metric Sockets	3/8" drive	13mm	Metric Wrenches	18mm	
	1/2" drive	18mm			
		21mm	Drill		
		27mm			
			Drill Bit	3/8"	

FRONT DISASSEMBLY

NOTE: Save all factory components and hardware for reuse, unless noted.

1) **PREPARE VEHICLE...**Place vehicle in neutral. Raise front of vehicle with a jack and secure a jack stand beneath each frame rail, behind the front radius arms. Ease the frame down onto the stands, place transmission in low gear or "park", and chock rear tires. Remove front tires.

2) SWAY BAR LINKS and SHOCK ABSORBERS...

- Disconnect the sway bar link from the axle.
- Disconnect the shock from the lower shock mount.

3) BRAKE LINE BRACKET and COIL SPRINGS....

- Remove the brake line from the bracket on top of the radius arm.
- Lower the axle with a jack and remove the factory coil springs. Push down the alignment pin on the spring isolator and remove.

FRONT ASSEMBLY**4) DRIVER SIDE COIL SPRING MOUNT...**

- [Illustration 1] Drill out the forward most hole in the upper coil spring mount to 3/8". The ABS is located on top of the driver side coil spring mount, DO NOT MAKE CONTACT WITH ANY OF THE ABS COMPONENTS.

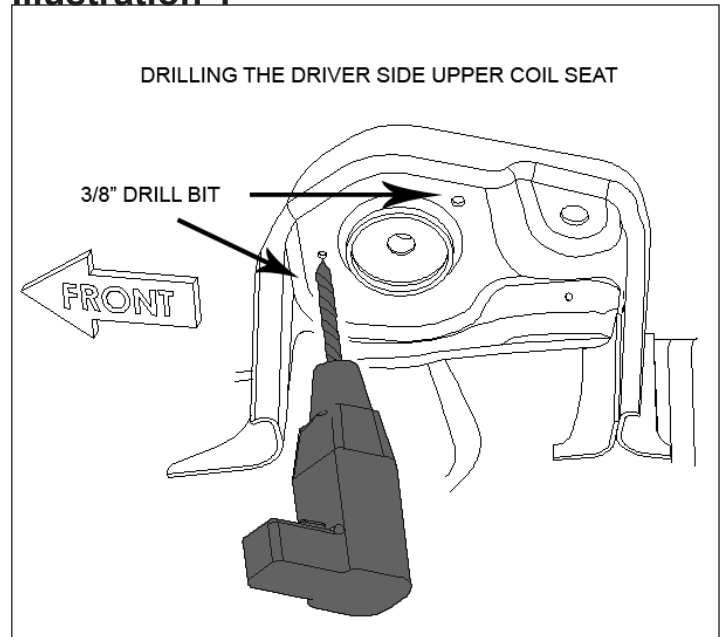
NOTE: Some 3500 models do not have the forward most hole. The spacer will need to be placed in position and the hole marked and drilled. The rearward hole will need to be drilled out on these models as well.

- [Illustration 2] Place the new coil spring spacer (#55-01-4682) in the upper coil spring mount and secure the forward side using the supplied 3/8" x 1-1/4" bolt, washer, and tab nut (#55-03-4682). Secure the rearward side with the supplied 3/8" x 1-1/4" bolt, washers (bolt head and nut side), and Nyloc nut. (30)

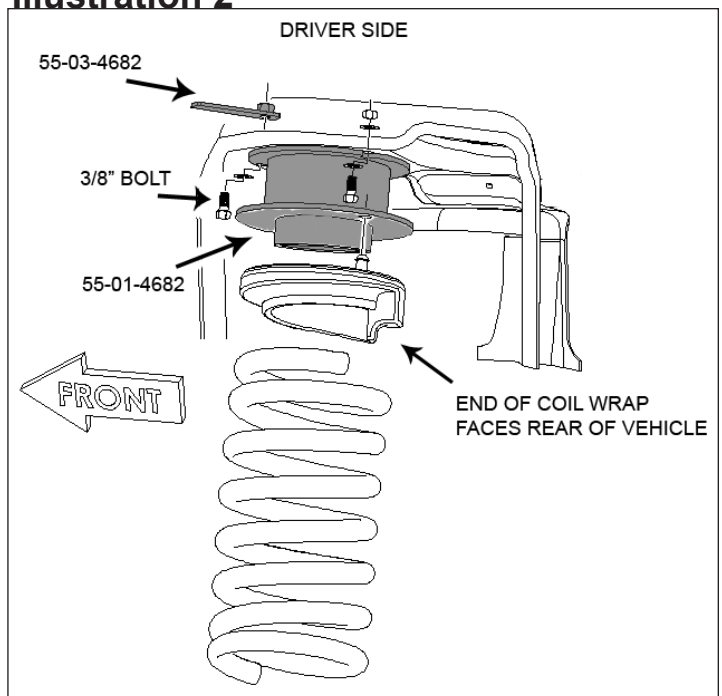
- Place the coil spring isolator on the spacer so the coil wrap starts in the rear as shown and insert coil spring.

5) PASSENGER SIDE COIL SPRING MOUNT...

- [Illustration 3] Install the supplied flag nut on top of the passenger side coil spring mount. Place the new coil spring spacer (#55-01-4682) in the upper coil spring mount and secure using the supplied 3/8" x 1-1/2" bolt and washer. (30)

Illustration 1

The rearward hole will need to be drilled out on

Illustration 2

Place the coil spring isolator on the spacer so the coil wrap starts towards the outside of the vehicle as shown and insert coil spring.

6) SHOCK ABSORBER RELOCATION...

[Illustration 4] Place the narrow end of new shock relocation bracket (#55-04-4682) inside of the factory lower shock mount.

Insert the supplied 9/16" bolt through the factory shock mount and the new relocation bracket. Mark the lower hole for drilling. Remove the bolt and the bracket and drill a 3/8" hole.

Re-insert the new shock relocation bracket (#55-04-4682) inside the factory lower mount. Insert the supplied 3/8" x 1" bolt through the "04" bracket and the newly drilled hole. Fasten with a washer and nyloc nut. Tighten (30).

Insert the supplied 9/16" x 3" bolt with a washer at the head of the bolt, through the factory bracket, the new "04" bracket, the new supplied sleeve (#05-4682) and fasten with a washer and stover nut. Tighten (105).

Attach the shock absorber to the new relocation bracket with the factory hardware. Tighten (110).

7) BRAKE LINE BRACKET...

Reattach the brake line to the bracket on top of the radius arm.

8) TIRES / WHEELS and REAR TRACK BAR...

Install the tires / wheels and torque lug nuts.

9) INITIAL CLEARANCE CHECK...

With the vehicle still on jack stands, and the suspension "hanging" at full extension travel, check all components for proper operation and clearances. Pay special attention to clearance between the tires / wheels and brake hoses, driveshaft, etc.

10) SUPERLIFT WARNING DECAL...

Install the "WARNING TO DRIVER" decal on the inside of the windshield, or on the dash, within driver's view.

11) SUPERLIFT BADGES...

This kit is packaged with a Superlift badge. Prior to installation, use the supplied alcohol pad to eliminate all soap and or other non-adhering residues that may impair adhesion, thoroughly clean the entire area of placement.

Remove the adhesive back and place one small badge in the desired location. The adhesive on

Illustration 3

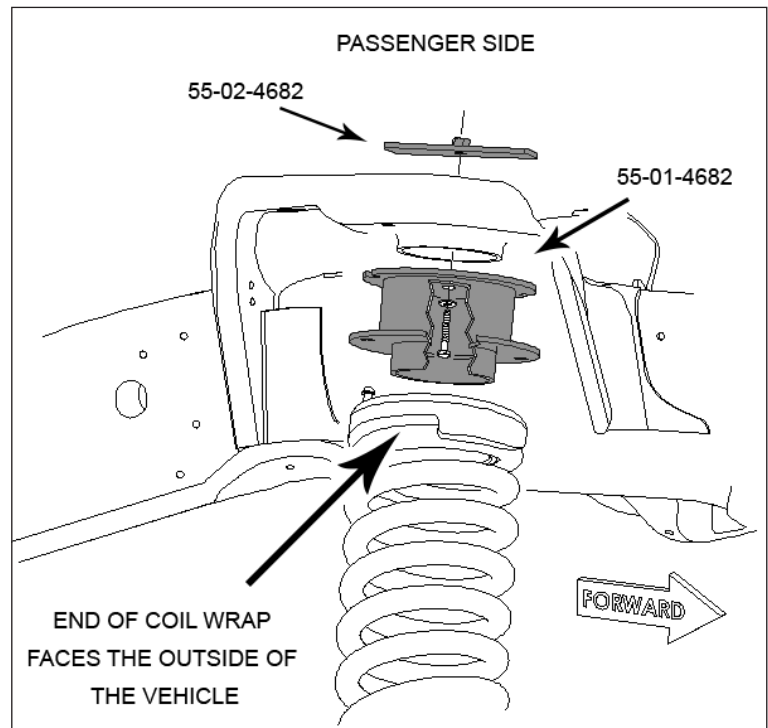
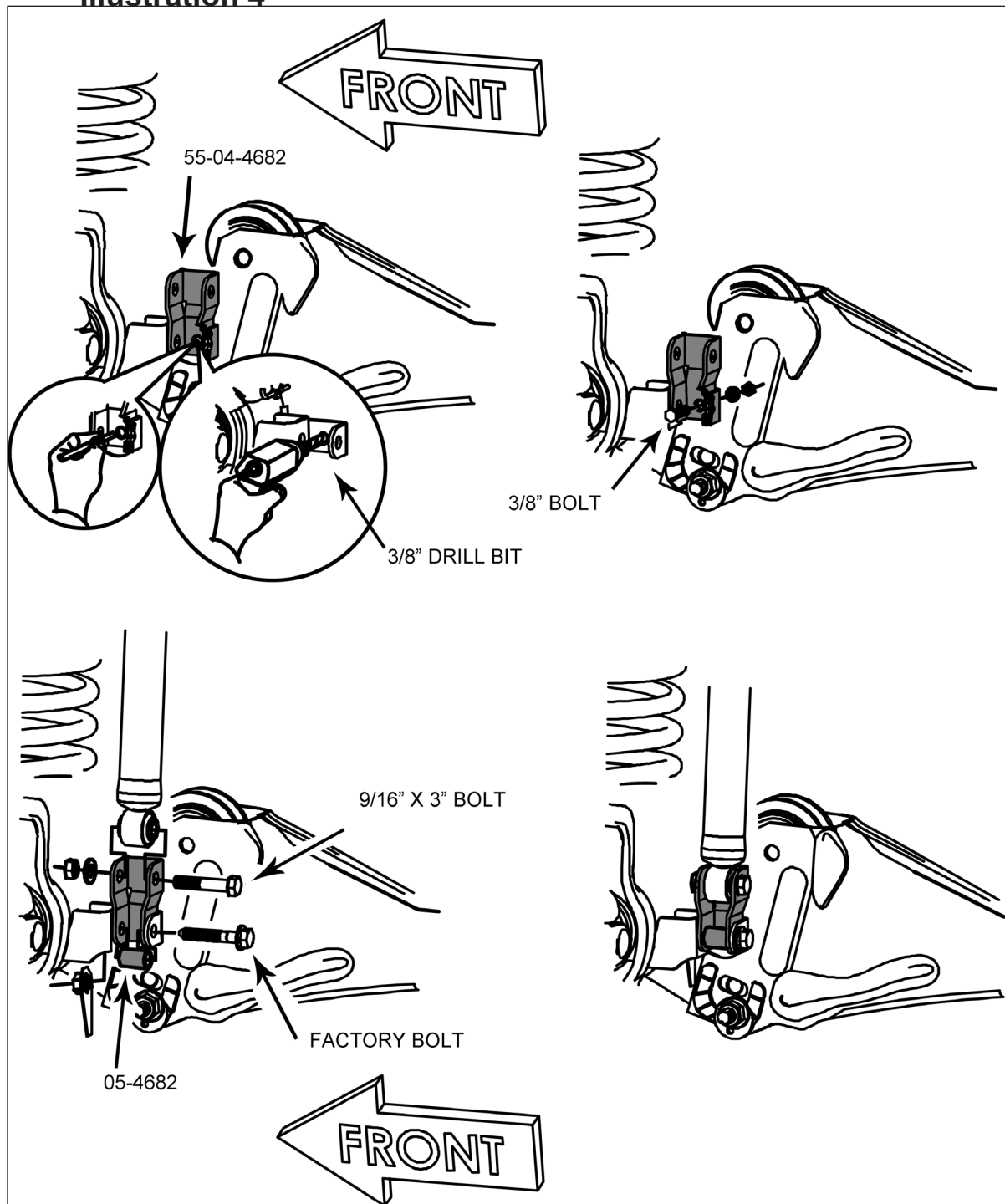


Illustration 4



our badges is pressure sensitive and must be applied using pressure on all areas of the graphic. Like any PSA (pressure sensitive adhesive), it can take up to 72 hours for the adhesive to fully cure. Once the badge is in place do not peel it up, this will diminish the adhesive properties and could result in damaging the badge itself

□ To keep your Superlift badge in "like new" appearance keep the badge free/clear of solvents and chemicals that could cause the adhesive to dry or dissolve. This includes gasoline, diesel fuel, paint thinner, and alcohol. Soap and water is all that is needed for cleaning. Degreasers can be used sparingly and hand wiped/applied if needed, although not suggested.

Superlift, LLC, Limited Lifetime Warranty

What is covered? Subject to the terms below, Superlift® will repair or replace its products found defective in materials or workmanship for so long as the original purchaser owns the vehicle on which the product was originally installed. Your warrantor is Superlift, LLC, doing business as Superlift® Suspension Systems (“Superlift®”).

What is not covered? Your Superlift® Limited Warranty does not cover products Superlift® determines to have been damaged by or subjected to:

- Alteration, modification or failure to maintain.
- Normal wear and tear (bushings, rod ends, etc.). Scratches or defects in product finishes (powder coating, plating, etc.).
- Damage to, or resulting from, the vehicle’s electronic stability system, related components or other vehicle systems.
- Racing or other vehicle competitions or contests. Accidents, impact by rocks, trees, obstacles or other aspects of the environment.
- Theft, vandalism or other intentional damage.

Remedy Limited to Repair or Replacement. The exclusive remedy provided hereunder shall, upon Superlift’s inspection and at Superlift’s option, be either repair or replacement of the product covered under this Limited Warranty. Customers requesting warranty consideration should contact Superlift® by phone (1-800-551-4955) to obtain a Returned Goods Authorization number. All removal, shipping and installation costs are customer’s responsibility.

If a replacement part is needed before the Superlift® part in question can be returned, you must first purchase the replacement part. Then, if the part in question is deemed warrantable, you will be credited / refunded.

Other Limitations - Exclusion of Damages - Your Rights Under State Law

- Neither Superlift® nor your independent Superlift® dealer are responsible for any time loss, rental costs, or for any incidental, consequential or other damages you may have.
- This Limited Warranty gives you specific rights, and this is the only warranty Superlift® makes in connection with your product purchase. You may also have other rights that vary from state to state. For example, while all implied warranties are disclaimed herein, any implied warranty required by law is limited to the terms of our Limited Lifetime Warranty as described above. Some states do not allow limitations of how long an implied warranty lasts and / or do not allow the exclusion or limitation of incidental or consequential damages, so the limitations and exclusions herein may not apply to you. Superlift® neither assumes nor authorizes any retailer or other person or entity to assume for it any other obligation or liability in connection with this product or Limited Warranty.

Superlift, LLC, Satisfaction Guarantee

We want you to purchase our product with confidence and be 100% satisfied with the end result. If you have any legitimate issue, and Superlift® cannot rectify it to your satisfaction, Superlift® will take back the Superlift®

brand product and refund the customer 100% of the product purchase price.

The details:

- Offer valid to the original retail consumer for six months after product purchase.
- May require a Superlift® dealer's participation in order to assist in "troubleshooting" the issue.
- Any costs related to labor, freight, incidental or consequential are not refunded.
- Refund will not exceed Superlift's® published retail price.

Important Product Use and Safety Information / Warnings

As a general rule, the taller a vehicle is, the easier it will roll over. Offset, as much as possible, what is lost in rollover resistance by increasing tire track width. In other words, go "wide" as you go "tall"; always use as wide a tire and wheel combination as feasible to enhance vehicle stability. We strongly recommend, because of rollover possibility, that the vehicle be equipped with a functional roll bar and cage system. Seat belts and shoulder harnesses should be worn at all times. Avoid situations where a side rollover may occur.

Generally, braking performance and capabilities are decreased when significantly larger / heavier tires and wheels are used. Take this into consideration while driving. Also, changing axle gear ratios or using tires that are taller or shorter than factory height will cause an erroneous speedometer reading. On vehicles equipped with an electronic speedometer, the speed signal impacts other important functions as well. Speedometer recalibration for both mechanical and electronic types is highly recommended.

Do not add, alter, or fabricate any factory or aftermarket parts to increase vehicle height over the intended height of the Superlift® product purchased. Mixing component brands is not recommended.

SUPERLIFT SUSPENSION

300 Huey Lenard Loop Rd.
West Monroe, Louisiana 71292
Phone: (318) 397-3000
Sales / Tech: (800) 551-4955
Fax: (318) 397-3040
www.superlift.com