



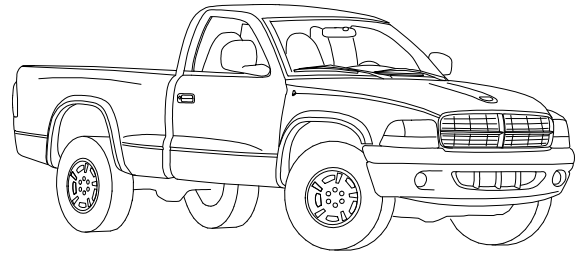
INSTALLATION INSTRUCTIONS

FOR

DODGE DAKOTA

EXTEND-A-FENDER

Part Number 51905 set, 51013 front, 51016 rear



TOOLS REQUIRED FOR INSTALLATION:

- Electric Drill
- 3/16" Drill Bit
- #2 Phillips Driver Bit
- Tape Measure
- Utility Knife

FLARE INSTALLATION PROCEDURES

DO NOT USE: Loctite, SuperGlue, or similar products on the hardware or the flares.

Step 1: Verifying fit.

- (A) Verify Fit by holding Bushwacker flares against the vehicle body. Small fit adjustments can be made by trimming excess plastic.

Step 2: Painting.

- (A) Note: Painting (when desired) must be done after fit verification, but prior to full installation.
- (B) Clean outer surface with a good grade degreaser. *DO NOT USE LACQUER THINNER OR ENAMEL REDUCER AS A DEGREASER.* Wipe outer surface thoroughly with a tack rag prior to painting.
- (C) Paint Flares using a high quality lacquer, enamel, or polyurethane automotive paint. Sanding or application of a primer coat is optional.

Step 3: Preparing the Work Area.

- (A) Clean and wash vehicle making sure to remove all dirt and debris.
- (B) Support and remove wheel using jack and jack stands. (Optional)
- (C) Remove factory fender trim and mud flaps (when installed).

Step 4: Installing Edge Trim

- (A) The 23.5' roll of edge trim that is included with each kit needs to be cut to the following lengths: two 62" pieces for the front flares, and two 80" pieces for the rear flares.
- (B) Peel two to three inches of red vinyl backing away from edge trim tape. Applying the adhesive side of the edge trim to the inner side of the flare, affix the

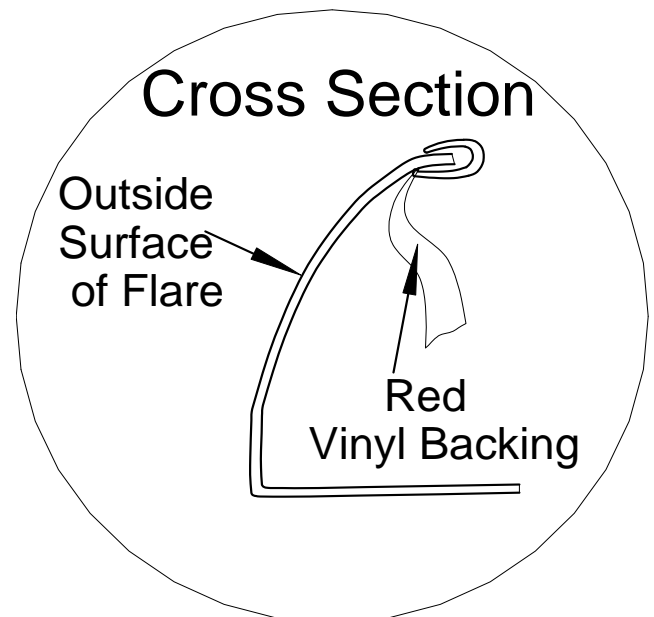


FIGURE 1

edge trim to the top edge of the flare (the portion that comes in contact with the side of the vehicle). Press the edge trim into place along top edge of the flare in one-foot increments, pulling red vinyl backing free as you continue to work your way around the top edge of the flare.

See FIGURE 1.

Step 5: Flare Installation.

- (A) Pre-drill all flares with a 3/16" drill bit using the indents formed into the flare as a guide.
- (B) Hold flare in place on fender.
- (C) Applying moderate pressure to the outside surface of the flare, fasten with kit supplied drill tip screws using holes in the flare as a guide.

See FIGURE 2.

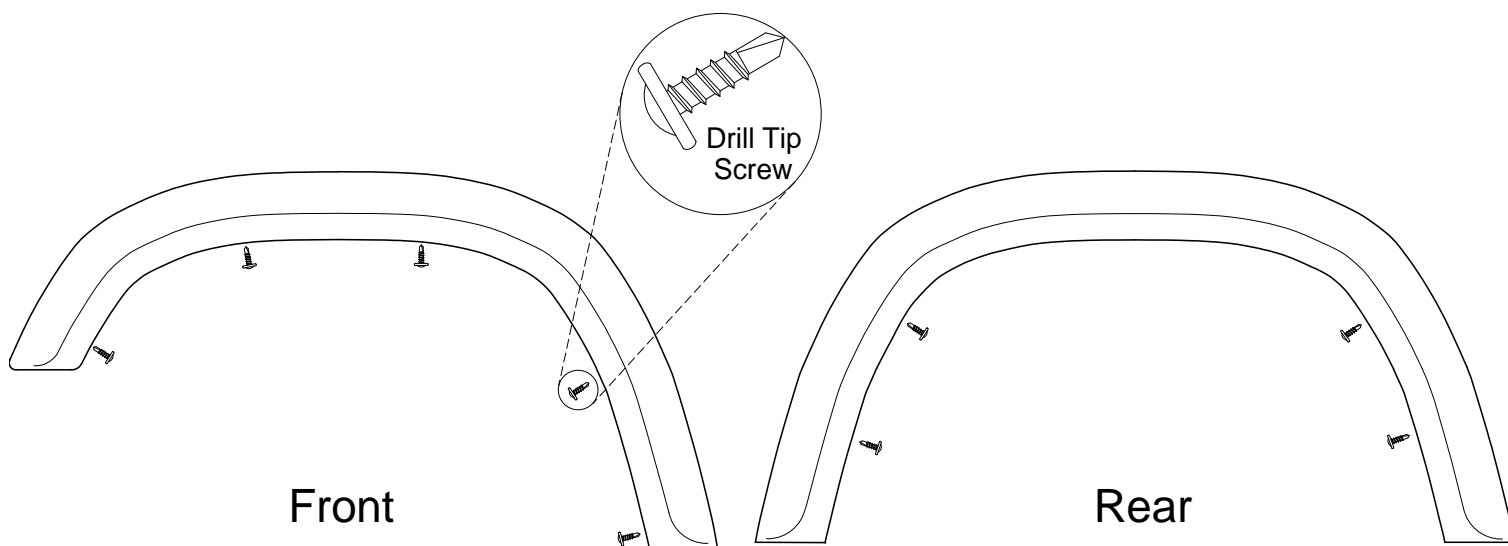


FIGURE 2